

[54] TRIPOD

[76] Inventor: Michio Kawazoe, 30-11 5-chome Narita, Higashi Suginami, Tokyo, Japan

[**] Term: 14 Years

[21] Appl. No.: 472,515

[22] Filed: May 23, 1974

[30] Foreign Application Priority Data

Apr. 11, 1974 Japan 49-012094

[51] Int. CL D16-05

[52] U.S. CL D16/45

[58] Field of Search D61/1 G; 354/293; 248/163, 165, 431, 435

[56] References Cited

U.S. PATENT DOCUMENTS

- 3,006,052 10/1961 Stickney 354/293
- D. 146,167 1/1947 Bentzman D61/1 G
- D. 149,878 6/1948 Kammermeyer D61/1 G

D. 223,638 5/1972 Smith D61/1 G

OTHER PUBLICATIONS

Popular Photography — May 1938 — p. 83 — Tripod at right.

Primary Examiner—Nelson C. Holtje
Attorney, Agent, or Firm—D. Gordon Angus

[57] CLAIM

The ornamental design for a tripod, as shown and described.

DESCRIPTION

FIG. 1 is a front elevational view of a tripod showing my new design;
 FIG. 2 is a rear elevational view thereof;
 FIG. 3 is a right side elevational view thereof;
 FIG. 4 is a left side elevational view thereof;
 FIG. 5 is a top plan view thereof;
 FIG. 6 is a bottom plan view thereof; and
 FIG. 7 is a cross-sectional view of FIG. 1 as taken from line A—A and perpendicular to the leg members.

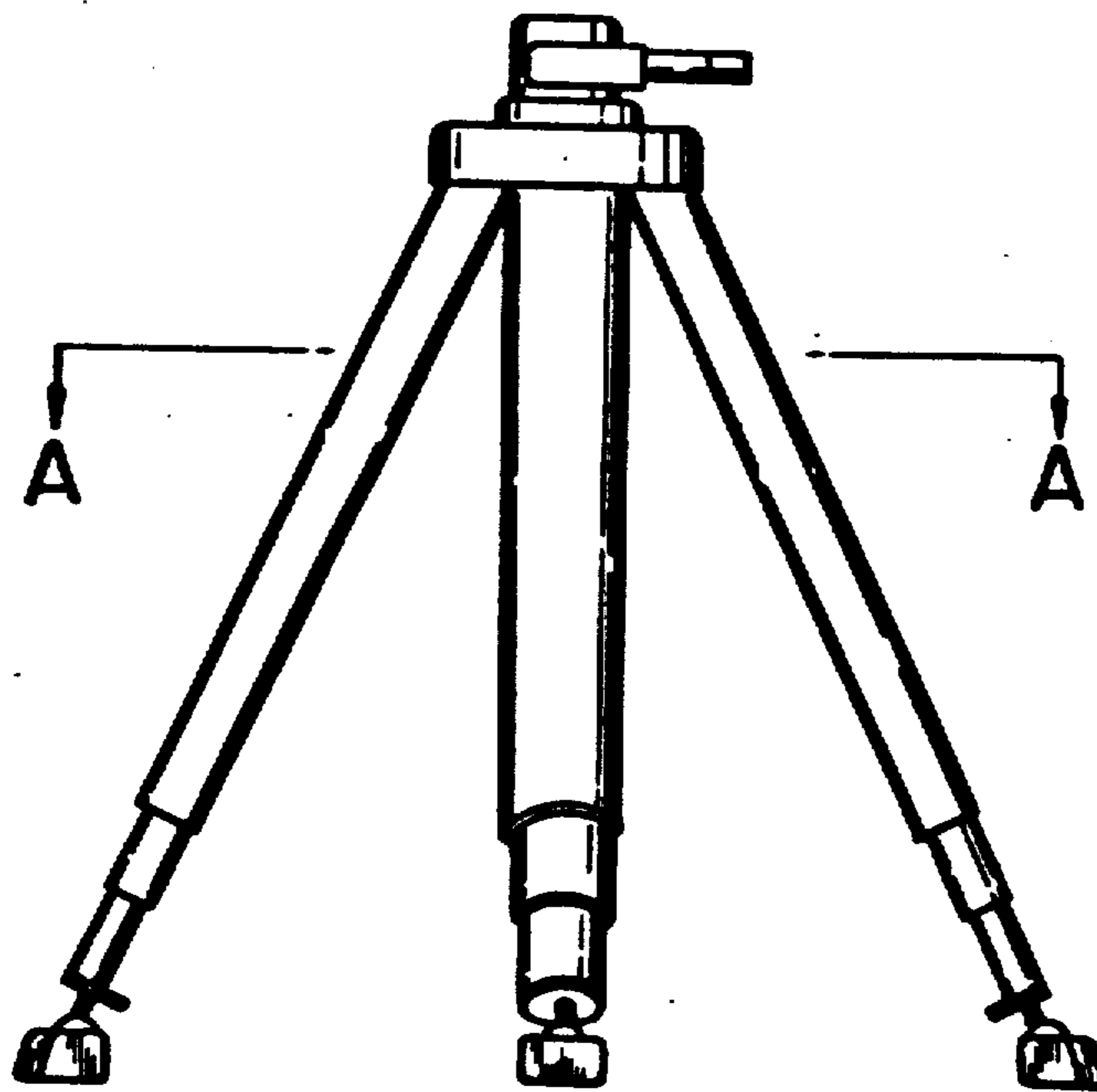


FIG. 1

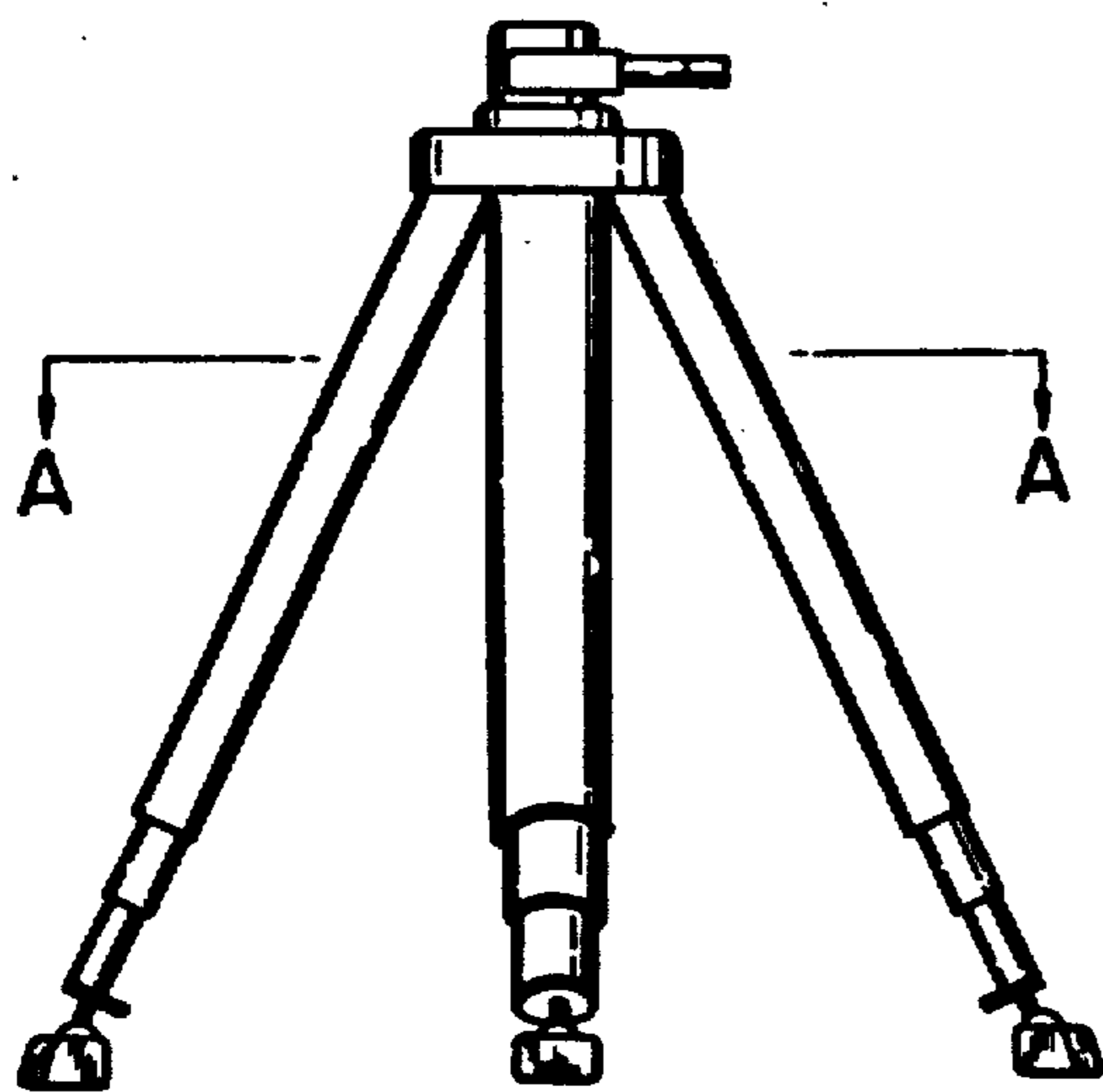


FIG. 2

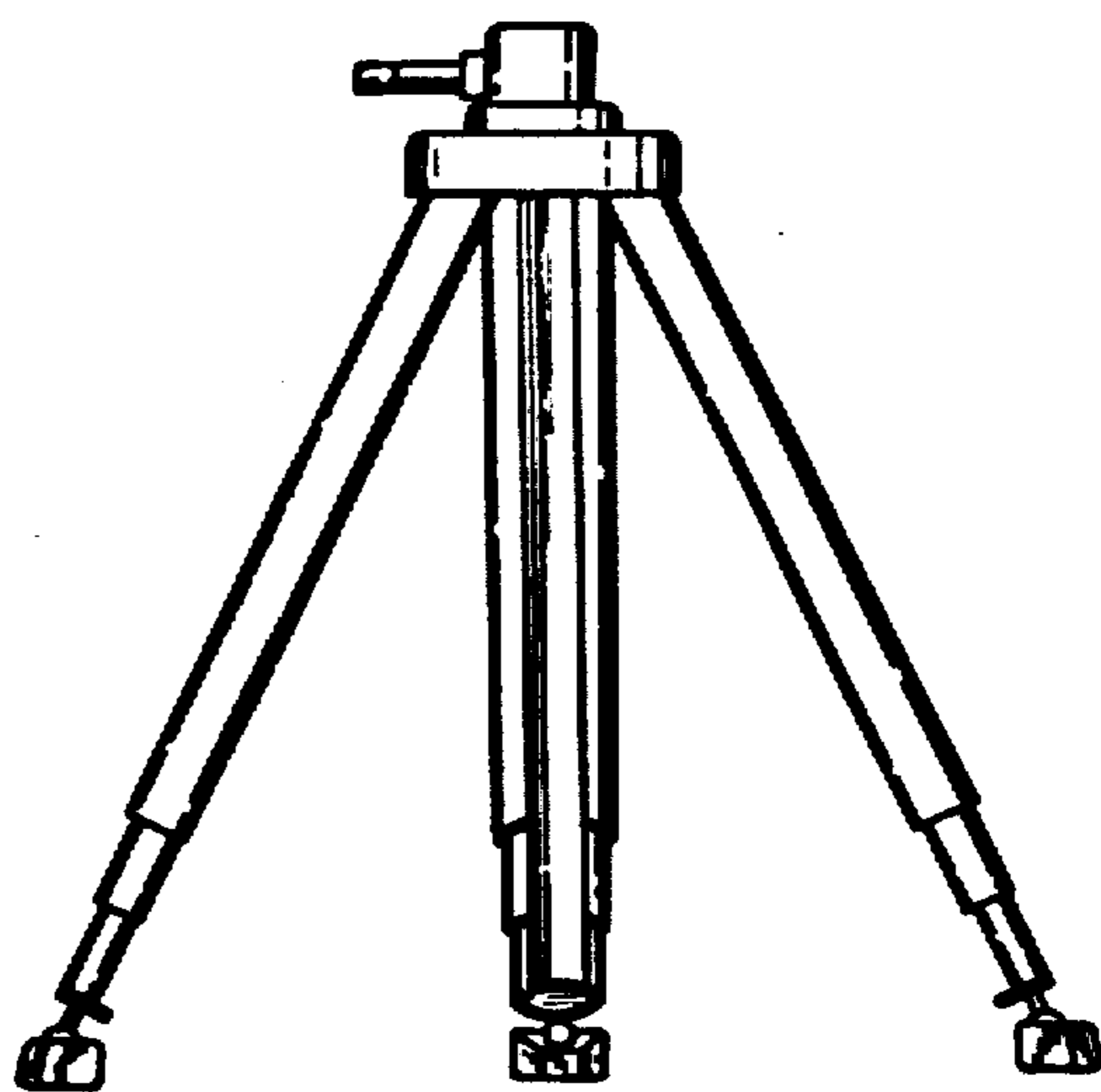


FIG. 3

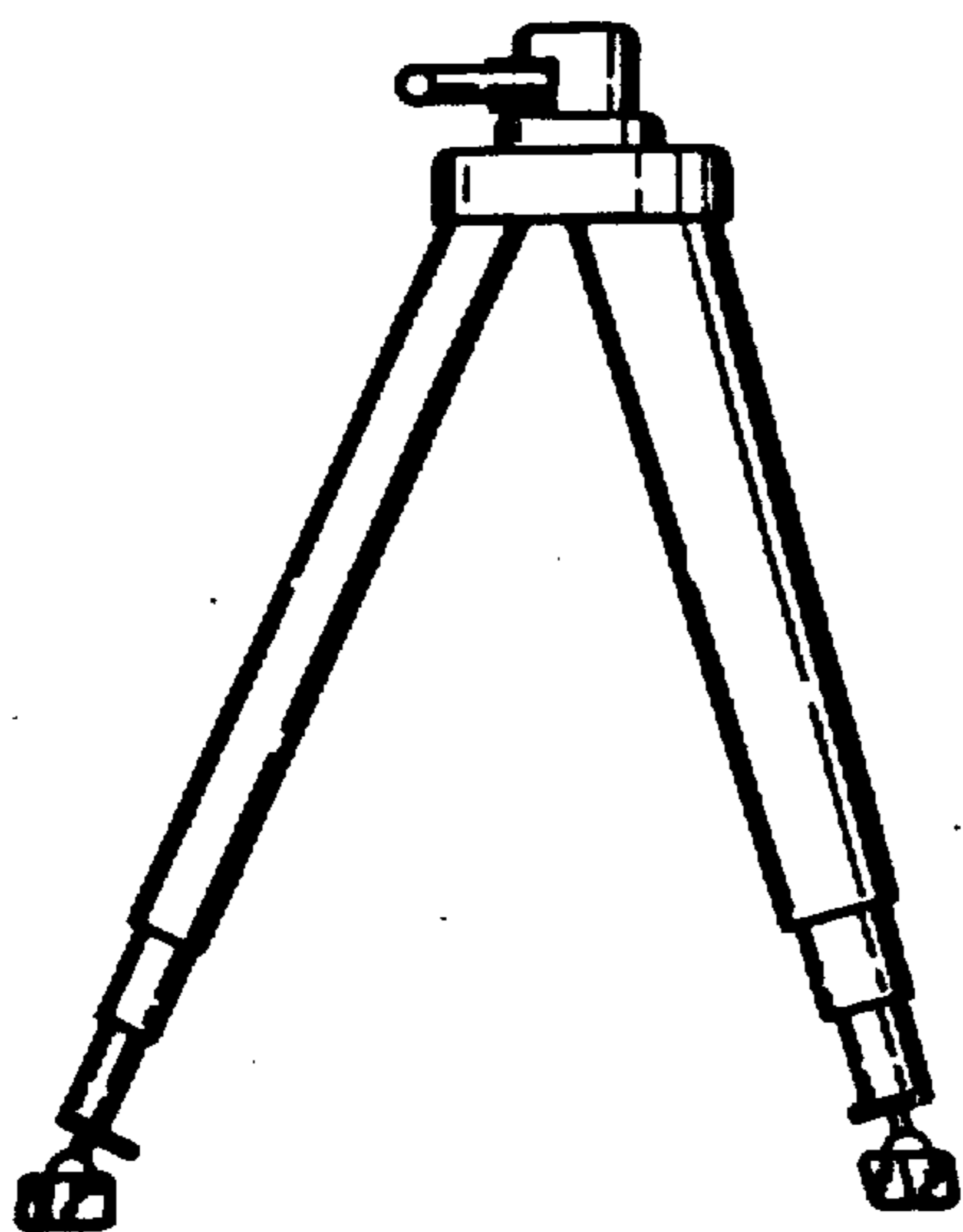


FIG. 4

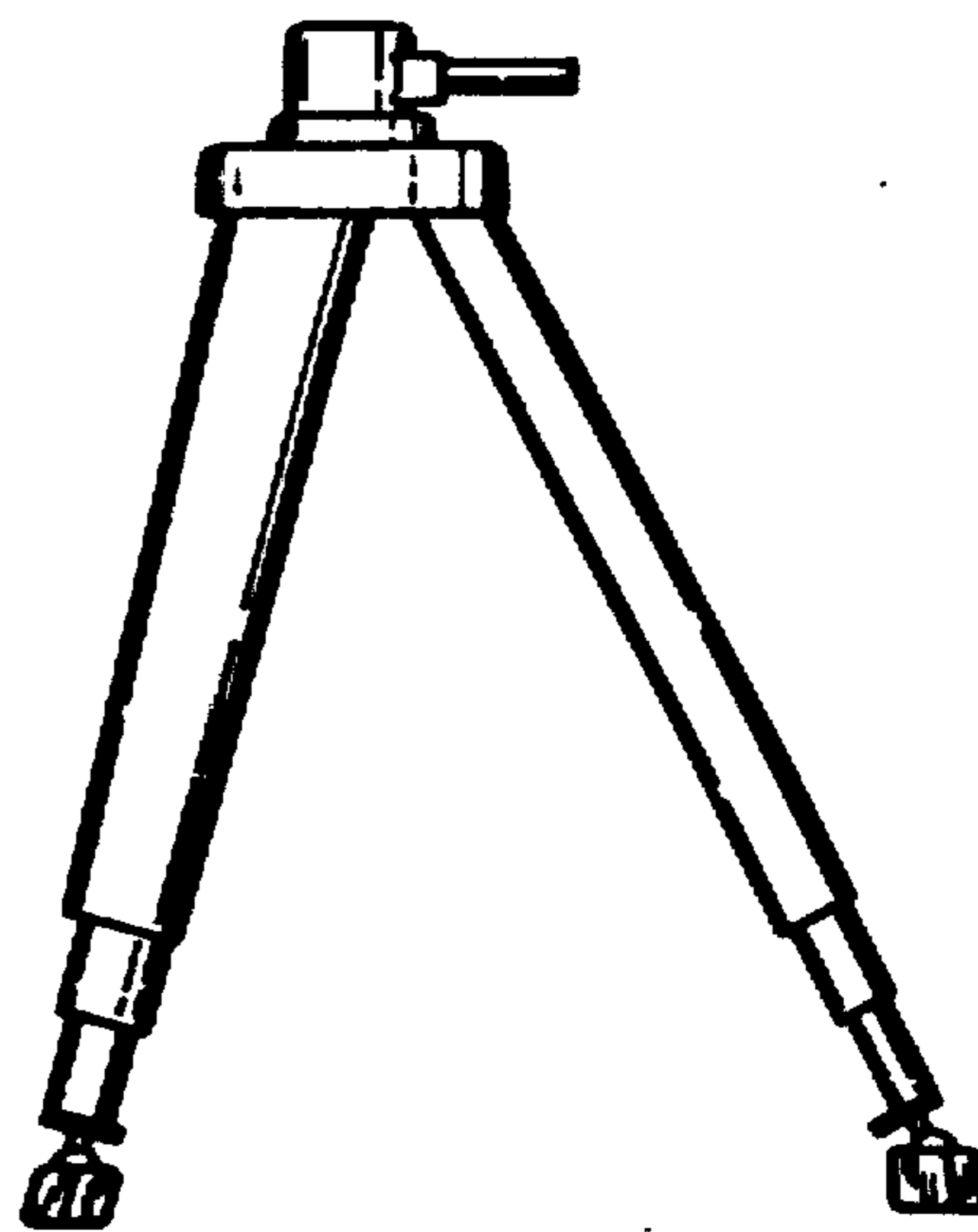


FIG. 5

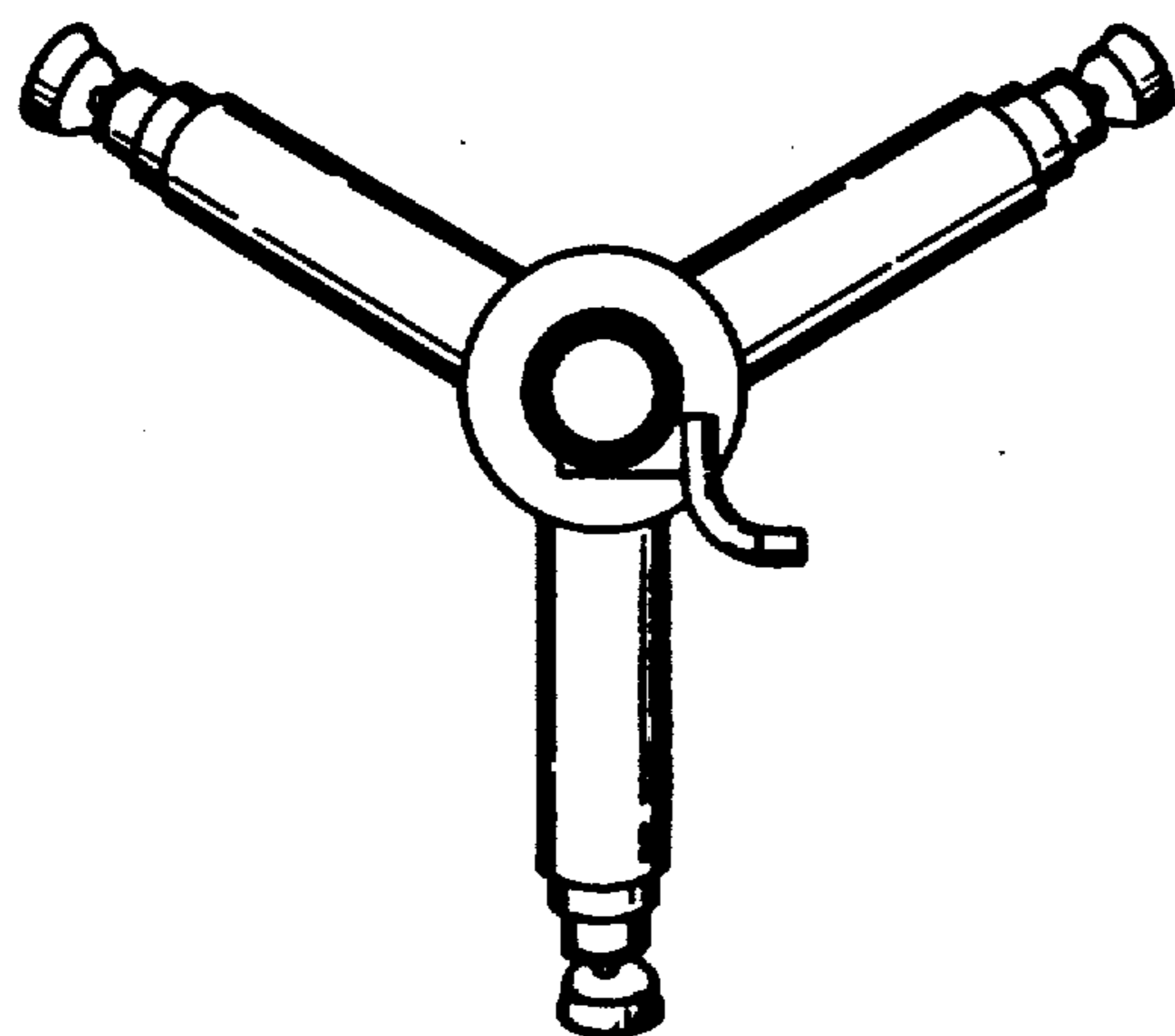


FIG. 6

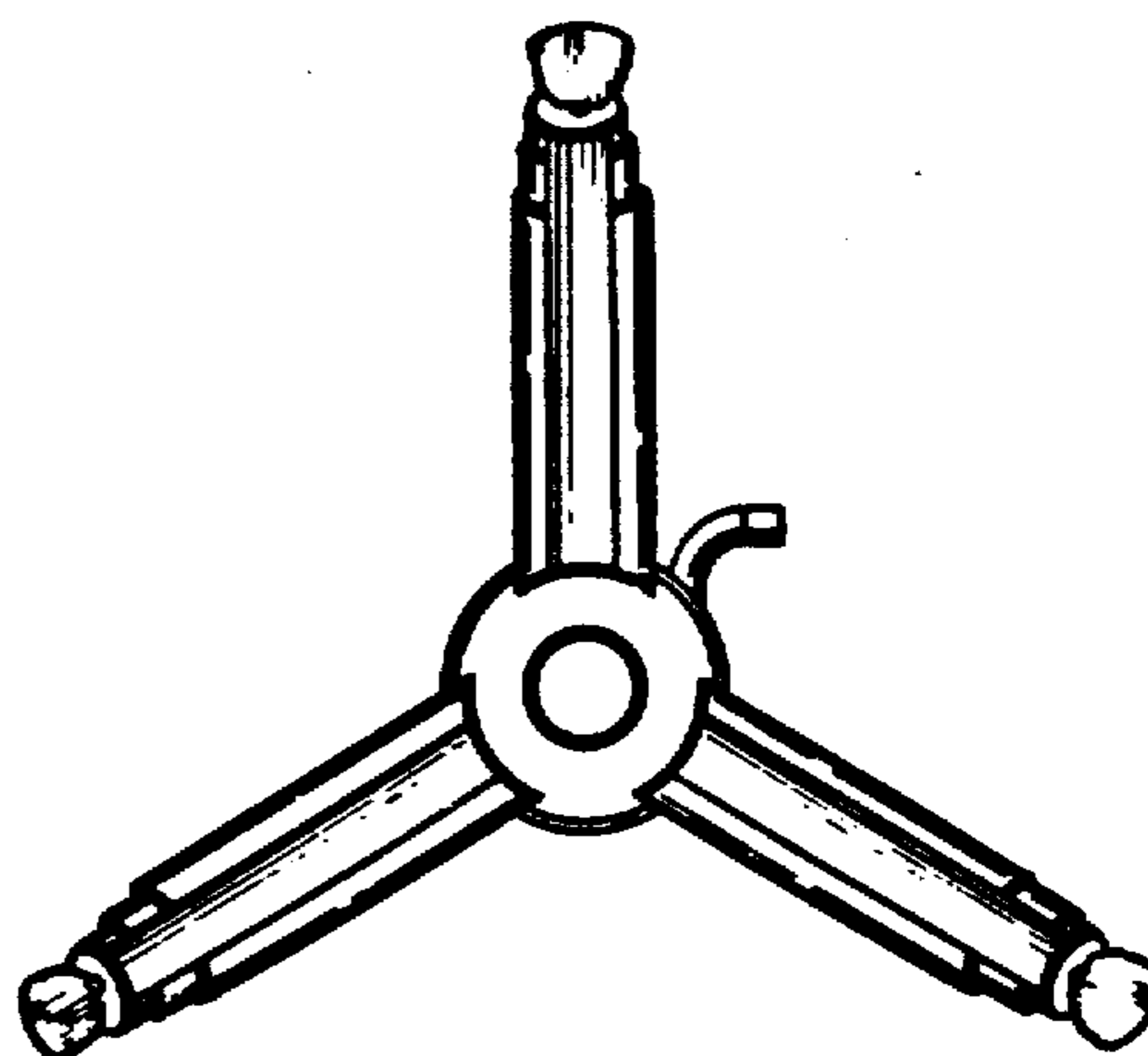


FIG. 7

