

[54] ROUND BALE HANDLING ATTACHMENT FOR A TRACTOR EQUIPPED WITH A FRONT END BUCKET LOADER OR A REAR END LIFT MECHANISM

[76] Inventor: Lloyd L. Vandewater, Rte. 1, Box 98, Dexter, Iowa 50070

[**] Term: 14 Years

[21] Appl. No.: 677,024

[22] Filed: Apr. 14, 1976

[51] Int. CL D15-03

[52] U.S. CL D15/28

[58] Field of Search D40/1 R, 1 E, 5 B; D12/54, 60; 214/620, 144, 145 R, 145 A, 750, 766; D15/28, 25, 32

[56] References Cited

U.S. PATENT DOCUMENTS

3,667,633	6/1972	Cappella	214/145
3,834,567	9/1974	Miller	214/145
3,908,844	9/1975	Duffield	D40/5 B
3,921,837	11/1975	Vandewater	214/145 R
3,957,167	5/1976	Jacobson et al.	214/145 R

OTHER PUBLICATIONS

Implement & Tractor Product File Issue, 3/31/75, p. 76, Round Bale Mover, center of page.

Commercial Car Journal, 11/74, p. 136, Fork Attachment, top right side of page.

Primary Examiner—Wallace R. Burke

Assistant Examiner—James M. Gandy

Attorney, Agent, or Firm—Rudolph L. Lowell

[57] CLAIM

The ornamental design for a round bale handling attachment for a tractor equipped with a front end bucket loader or a rear end lift mechanism, substantially as shown.

DESCRIPTION

FIG. 1 is a perspective view of a round bale handling attachment for a tractor equipped with a front end loader or a rear end lift mechanism showing my new design;

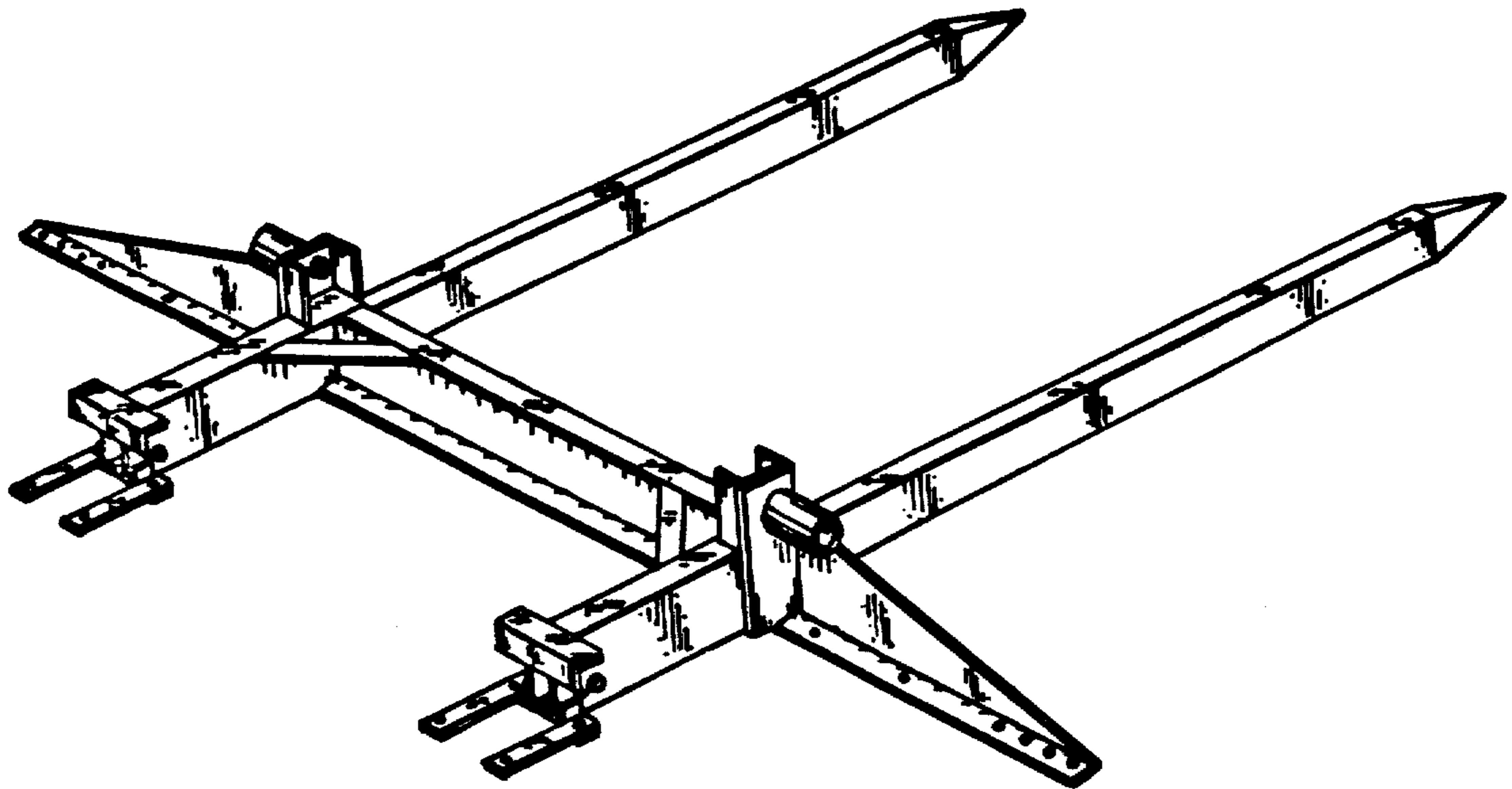
FIG. 2 is an enlarged top plan view thereof;

FIG. 3 is a side elevational view of FIG. 2;

FIG. 4 is a left end elevational view of FIG. 2;

FIG. 5 is a right end elevational view of FIG. 2;

FIG. 6 is a bottom plan view of FIG. 2.



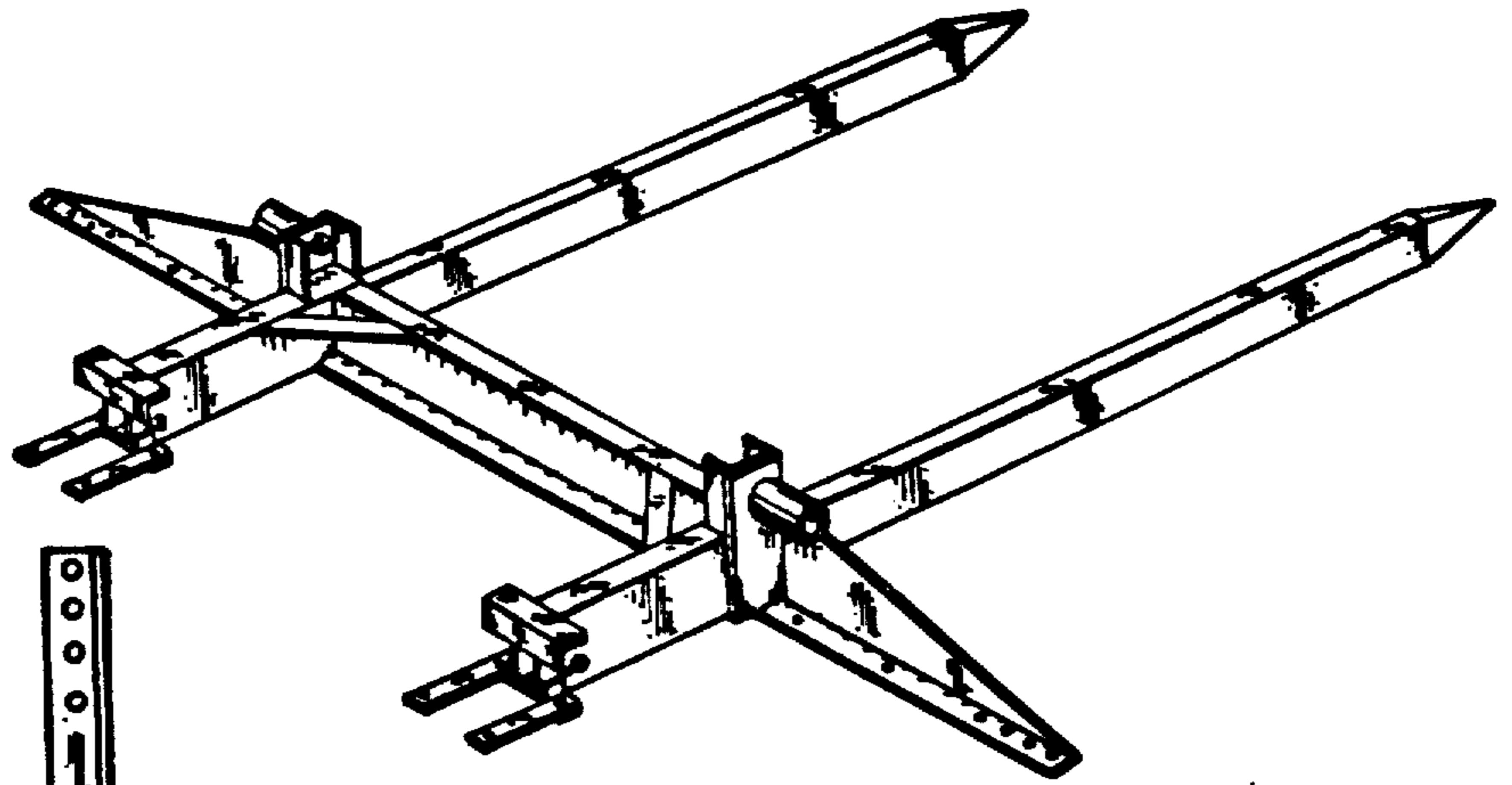


Fig. 1

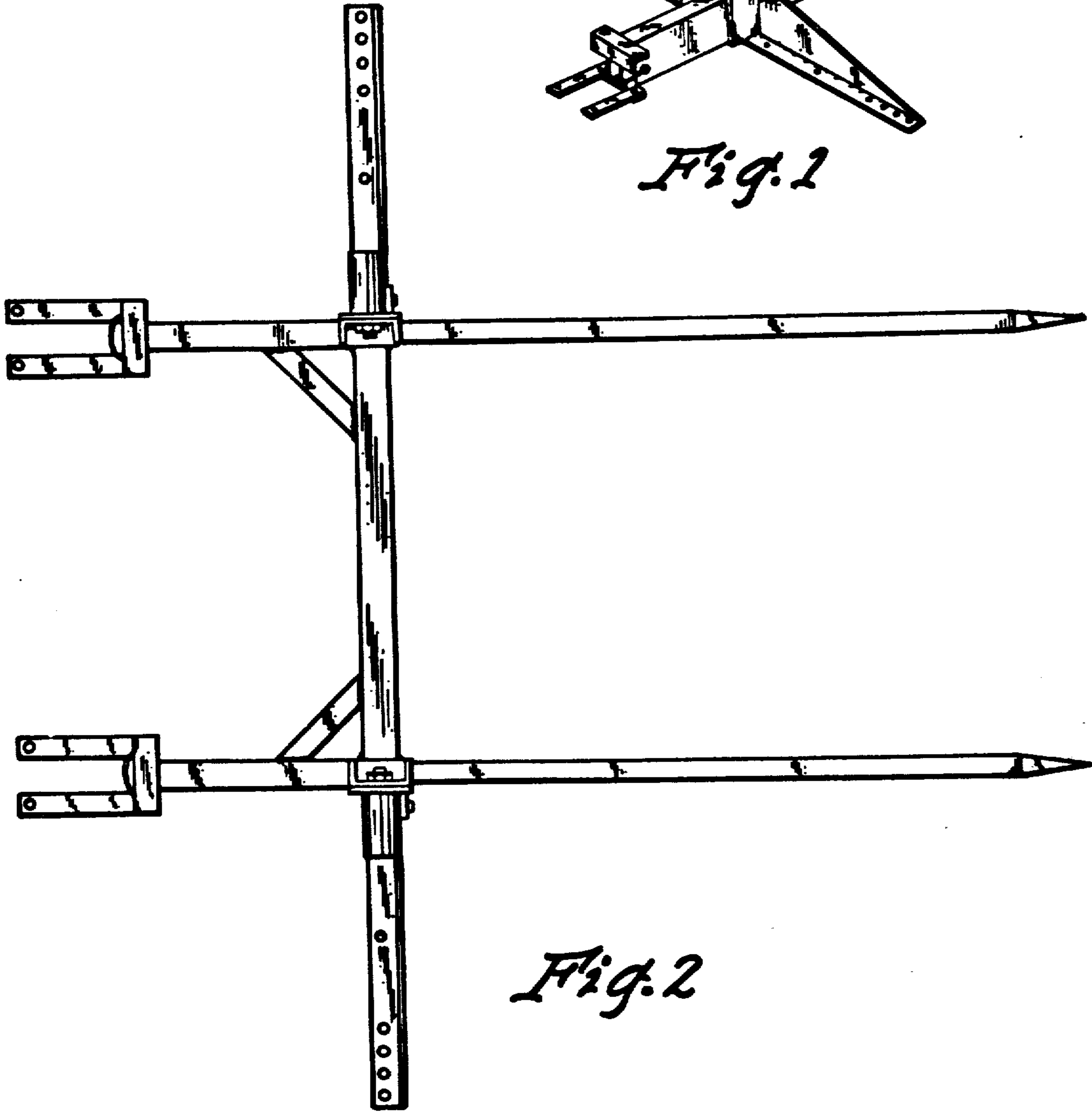


Fig. 2

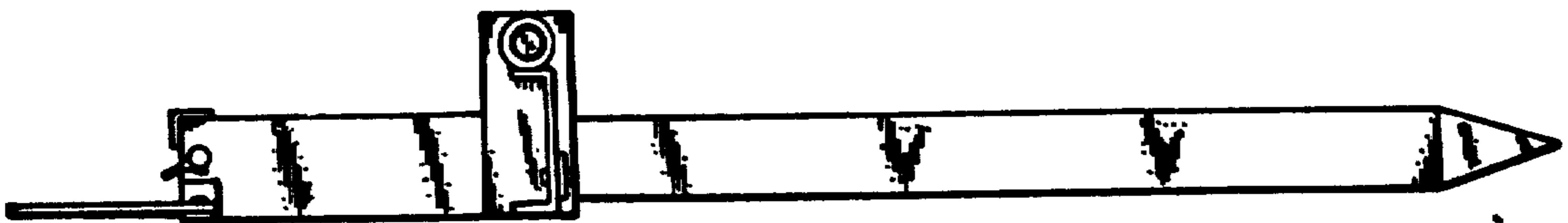


Fig. 3

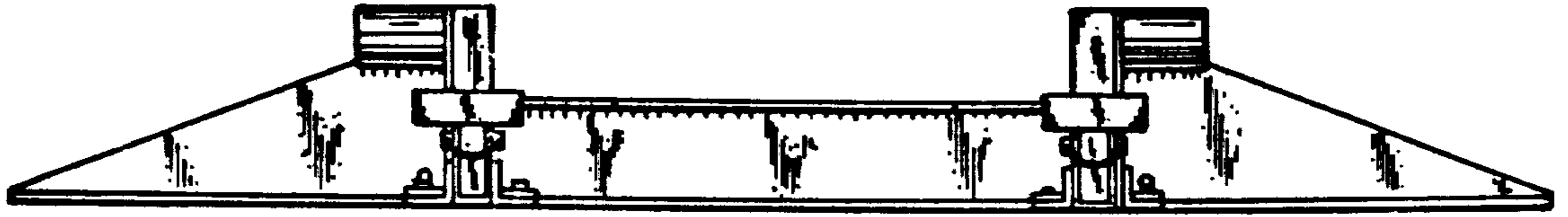


Fig. 4



Fig. 5

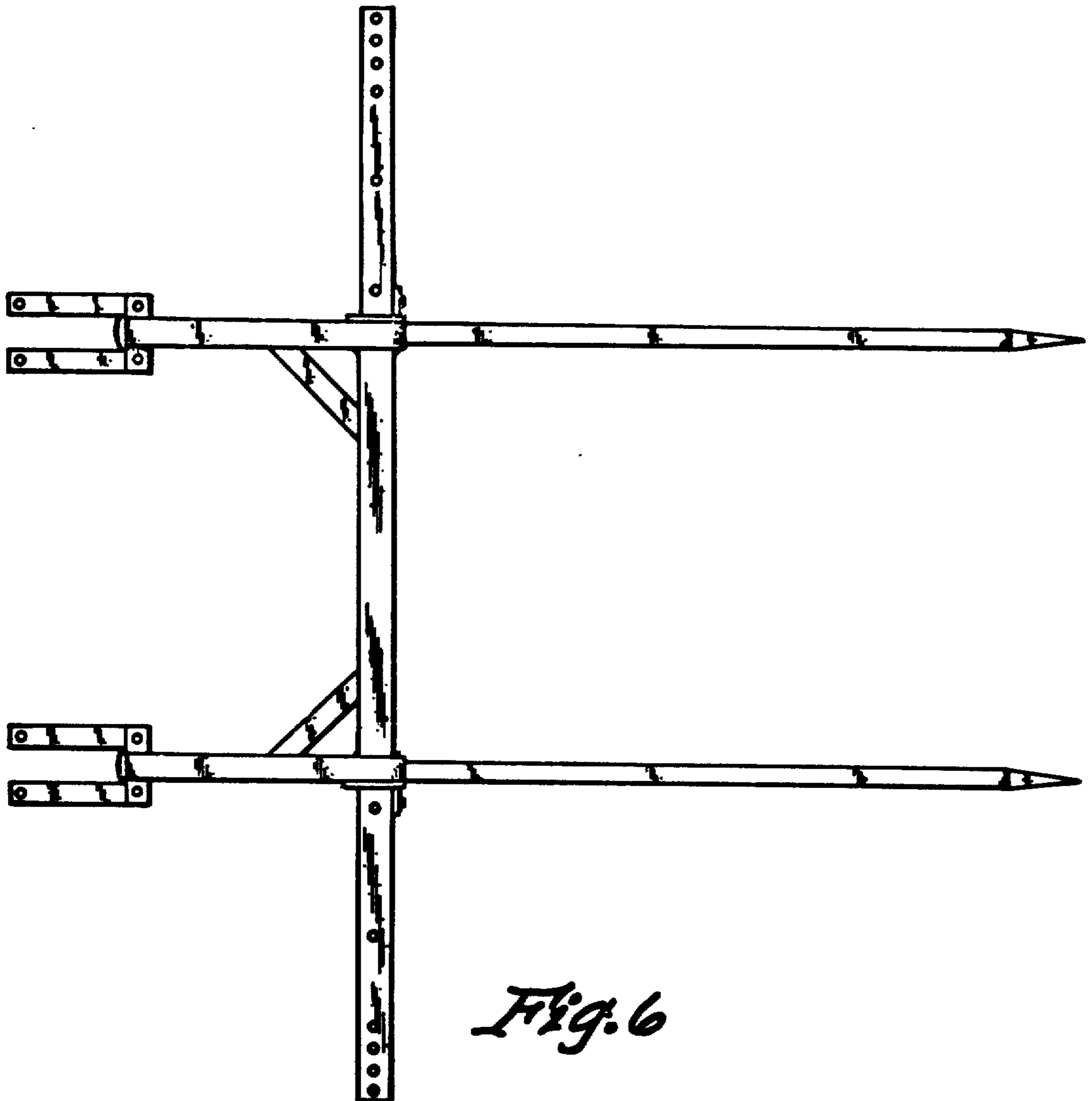


Fig. 6