

[54] MARINE AEROGLIDER

[76] Inventor: Paul Francois Guienne, c/o S.E.D.A.M. 80 Avenue de la Grande Armee, Paris, France

[\*\*] Term: 14 Years

[21] Appl. No.: 637,076

[22] Filed: Dec. 2, 1975

[30] Foreign Application Priority Data

June 4, 1975 France ..... 75.38207

[51] Int. Cl. .... D12-14

[52] U.S. Cl. .... D12/5

[58] Field of Search ..... D12/5; 180/117

[56] References Cited

U.S. PATENT DOCUMENTS

3,330,240 7/1967 Hardy et al. .... D12/5 UX  
D. 227,308 6/1973 Wheeler ..... D12/5

OTHER PUBLICATIONS

Design, Oct. 1967, pp. 48-49, SR. N4, surface effect craft on pages.

Primary Examiner—Alan P. Douglas  
Attorney, Agent, or Firm—Martin R. Greenstein

[57] CLAIM

The ornamental design for a marine aeroglider, as shown.

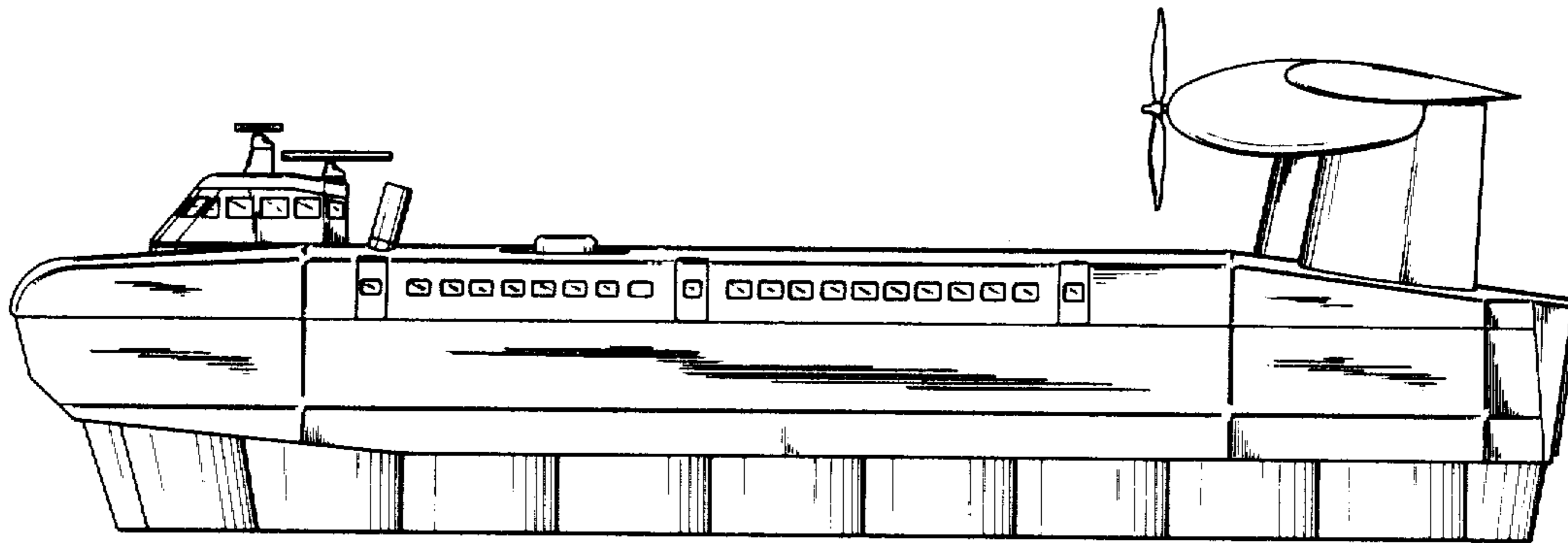
DESCRIPTION

FIG. 1 is a side view of the marine aeroglider according to my invention.

FIG. 2 is a front view of the marine aeroglider according to my invention.

FIG. 3 is a rear view of the marine aeroglider according to my invention.

FIG. 4 is a top view of the marine aeroglider according to my invention.



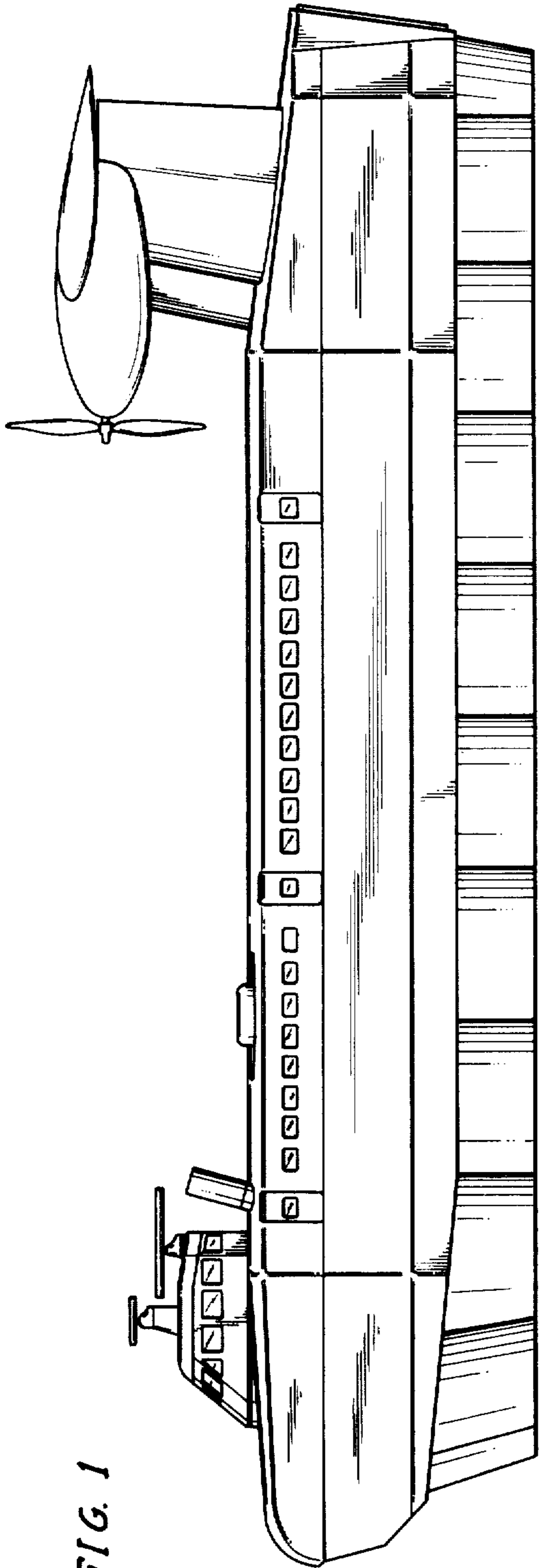


FIG. 1

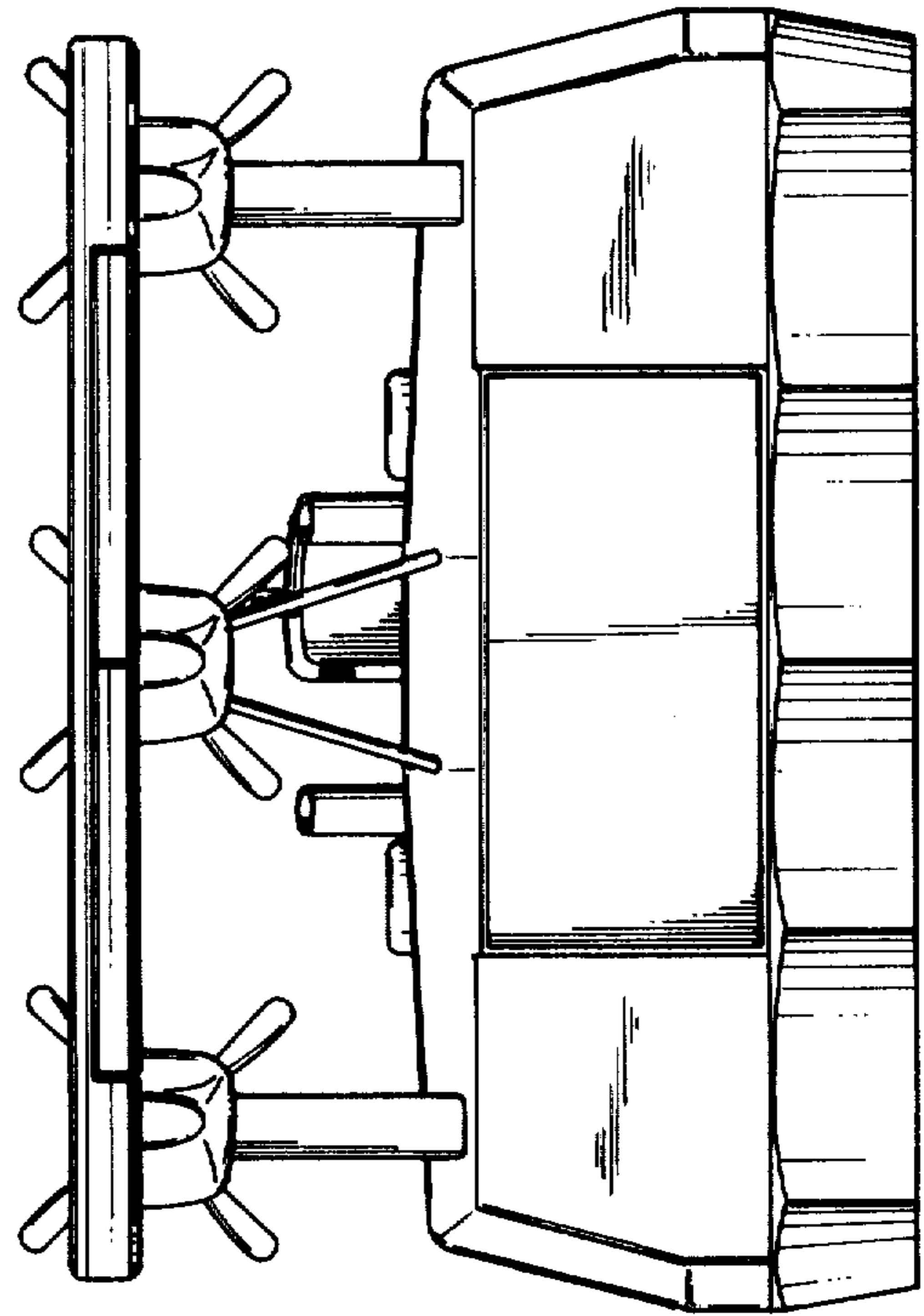


FIG. 3

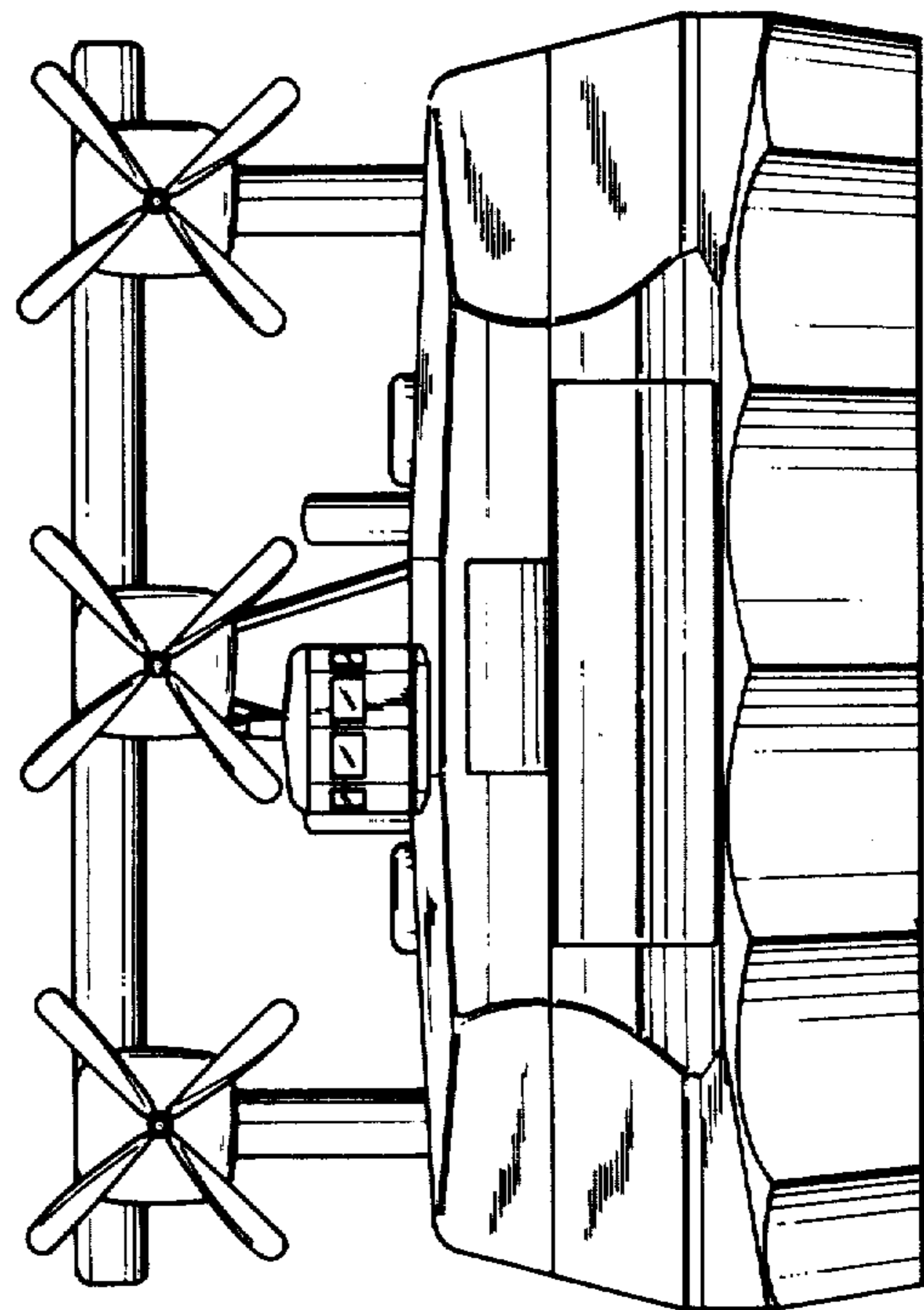


FIG. 2

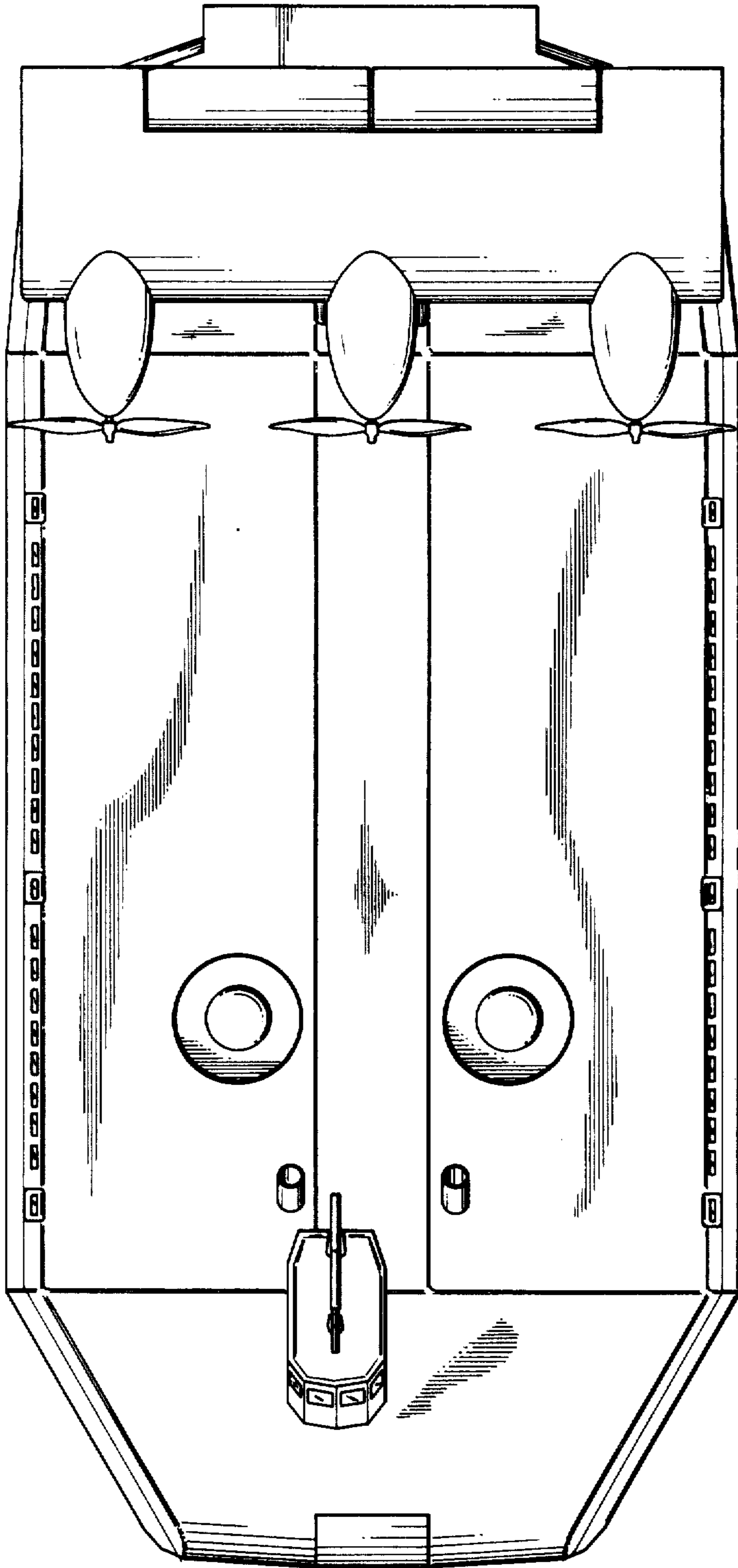


FIG. 4