

[54] FIRE DETECTOR

[75] Inventor: Alvin A. Mayer, Littleton, Colo.

[73] Assignee: Statitrol Corporation, Lakewood, Colo.

[**] Term: 14 Years

[21] Appl. No.: 609,341

[22] Filed: Sept. 2, 1975

[51] Int. Cl. D10-05

[52] U.S. Cl. D10/106

[58] Field of Search D10/106, 121; 340/213, 340/227 R, 227.1, 228 R, 228.1, 237 R, 237 S, 258 R, 258 B, 276, 283; D23/153, 154

[56] References Cited

U.S. PATENT DOCUMENTS

D. 215,974 11/1969 Berns D10/121

D. 238,154 12/1975 Tipton et al. D10/106

OTHER PUBLICATIONS

Sweets Architechural Catalog Files, 1972, Section 16.12 PY, p. 3, smoke and fire alarms shown.

Primary Examiner—Wallace R. Burke

Assistant Examiner—Christine M. Nucker

Attorney, Agent, or Firm—Max L. Wymore

[57] CLAIM

The ornamental design for a fire detector, as shown.

DESCRIPTION

FIG. 1 is a front perspective view of a fire detector showing my design;

FIG. 2 is a right end view thereof;

FIG. 3 is a left end view thereof;

FIG. 4 is a top view; and,

FIG. 5 is a bottom view thereof.

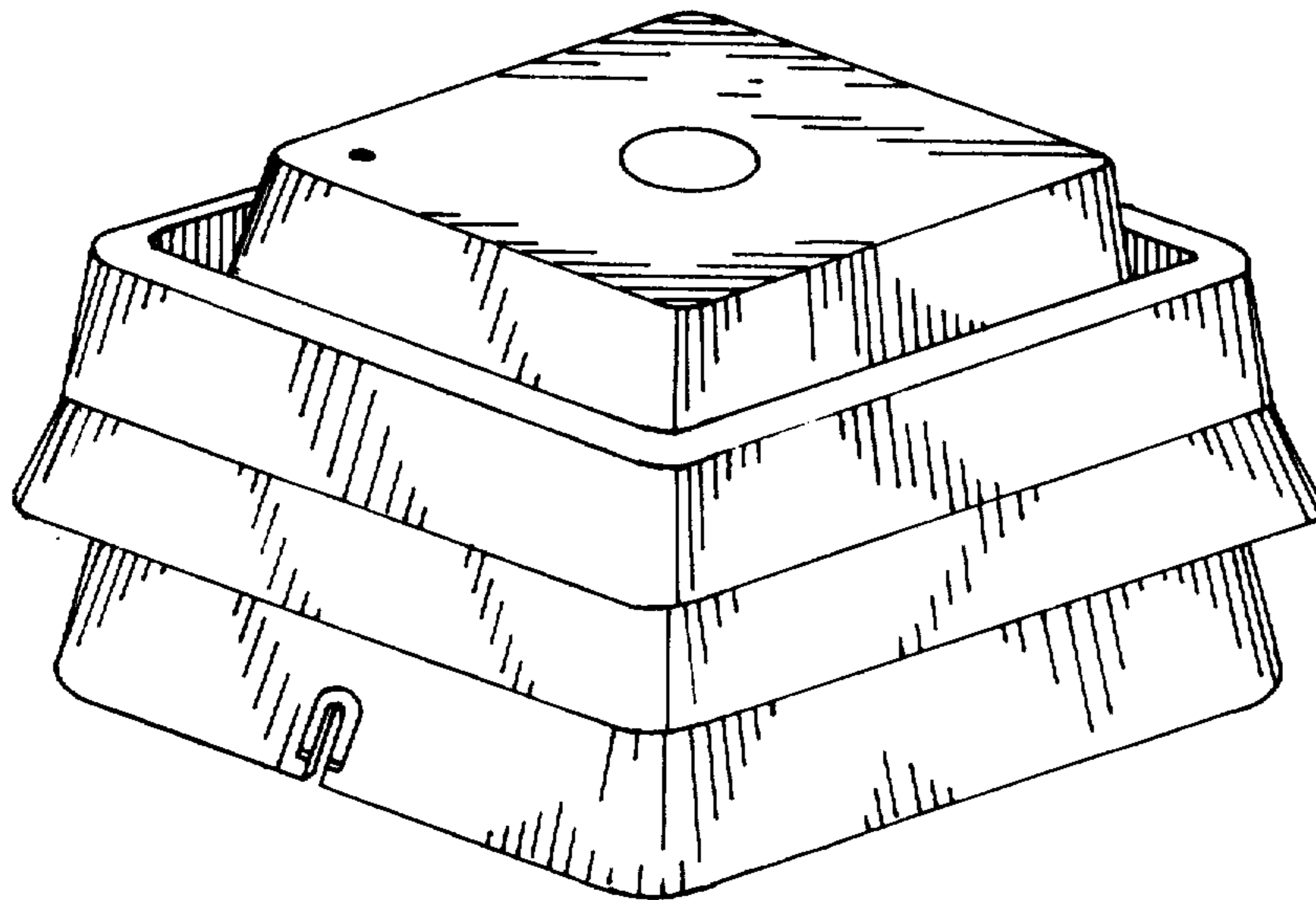


FIG. 1

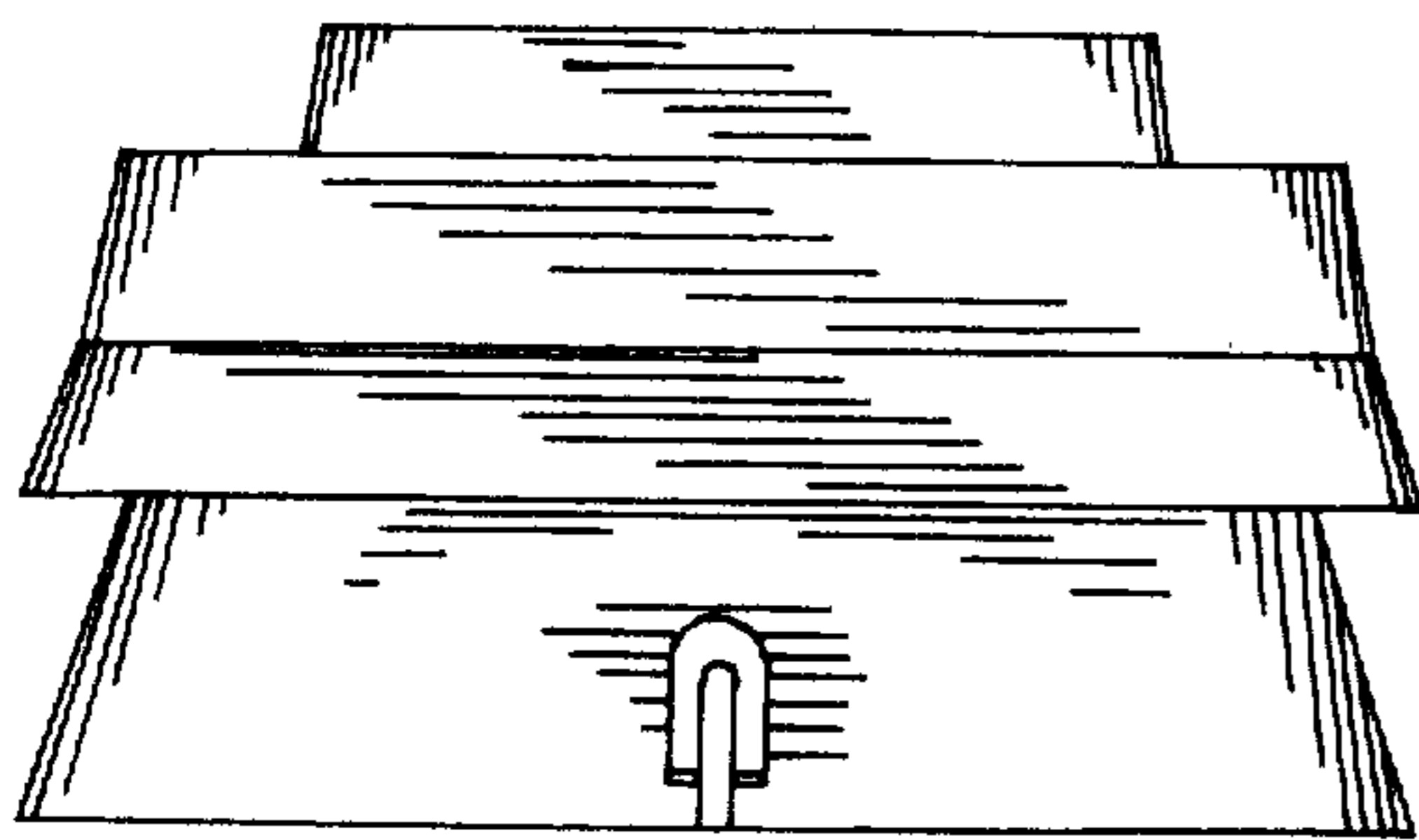
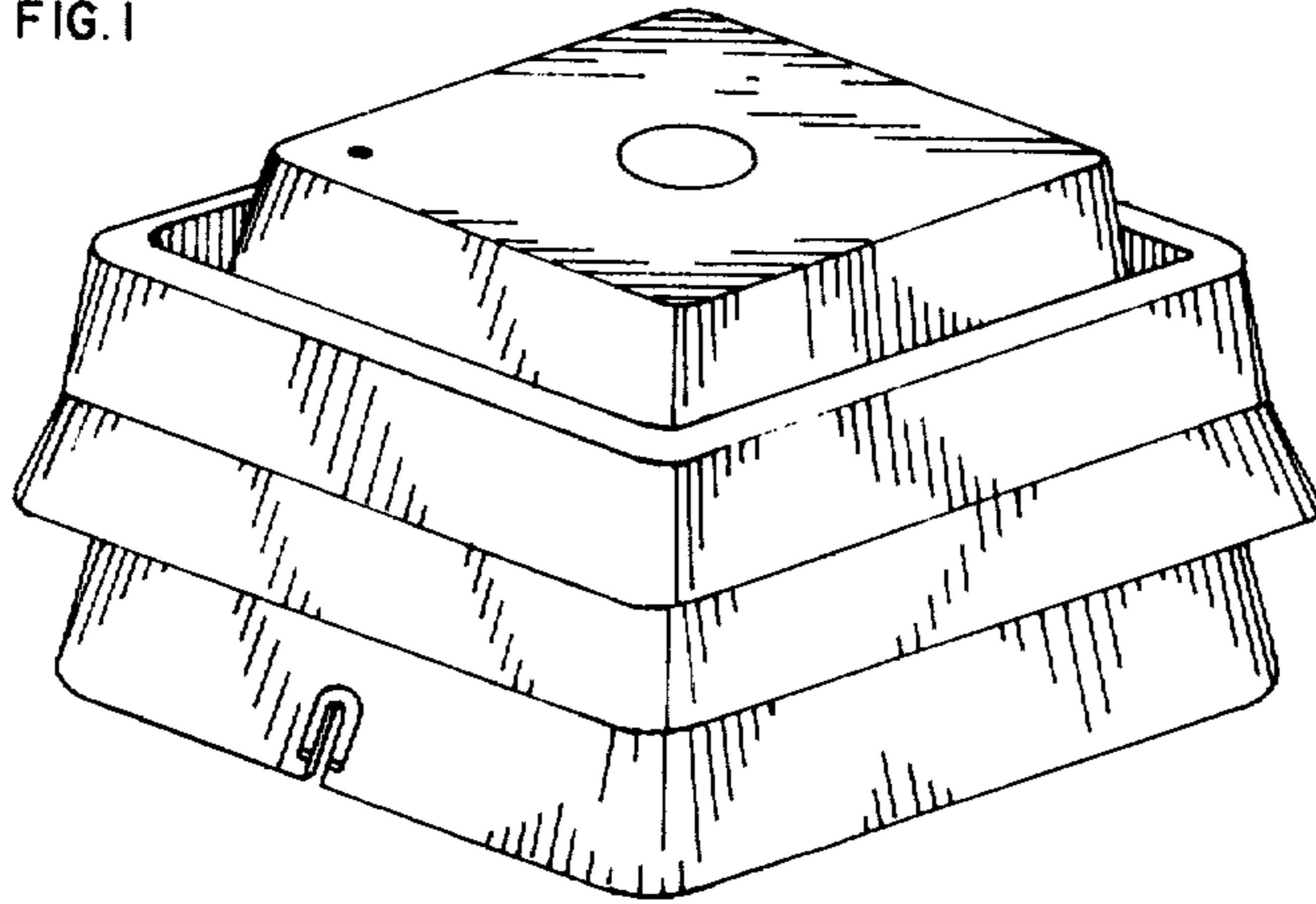


FIG. 2

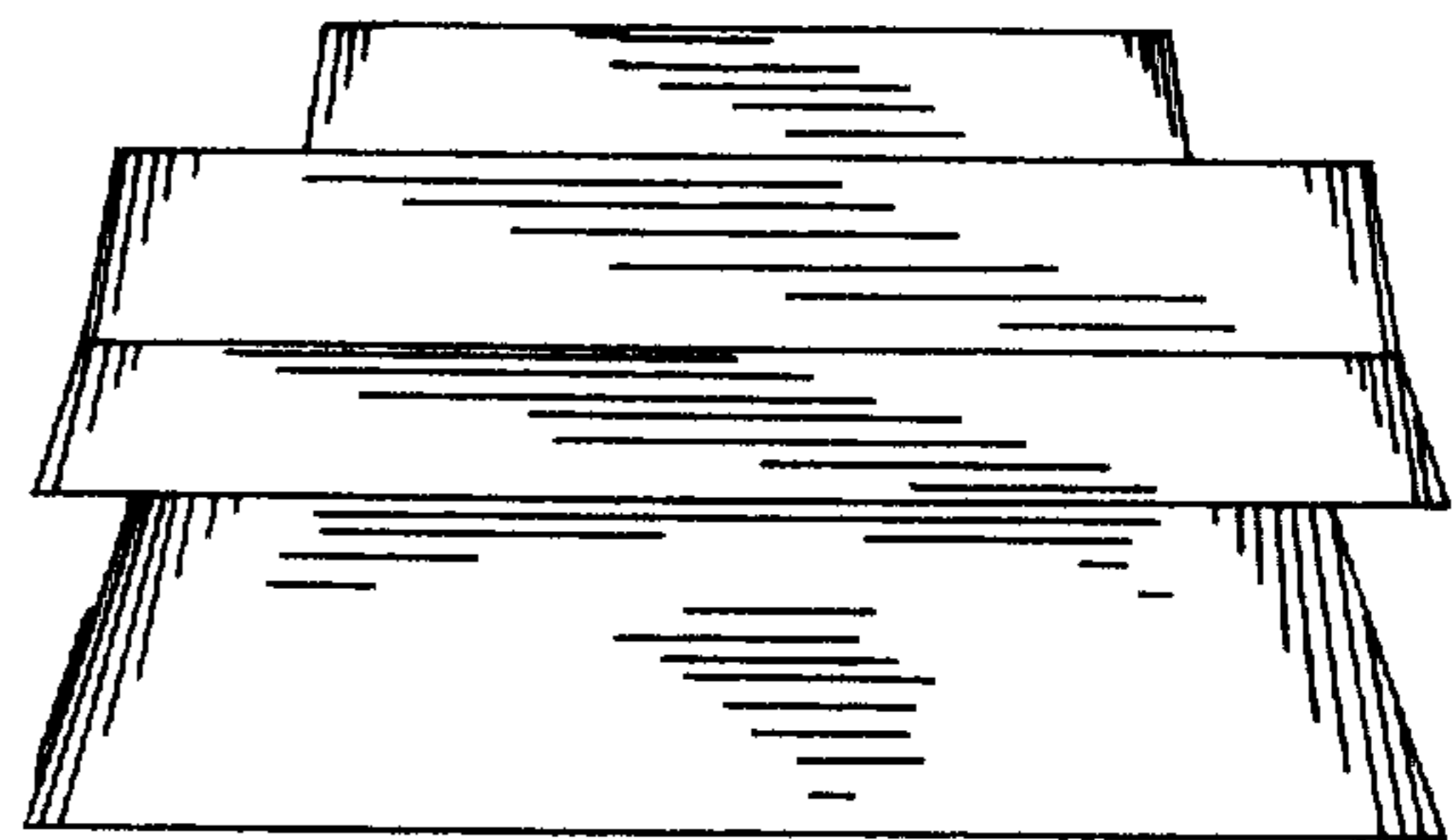


FIG. 3

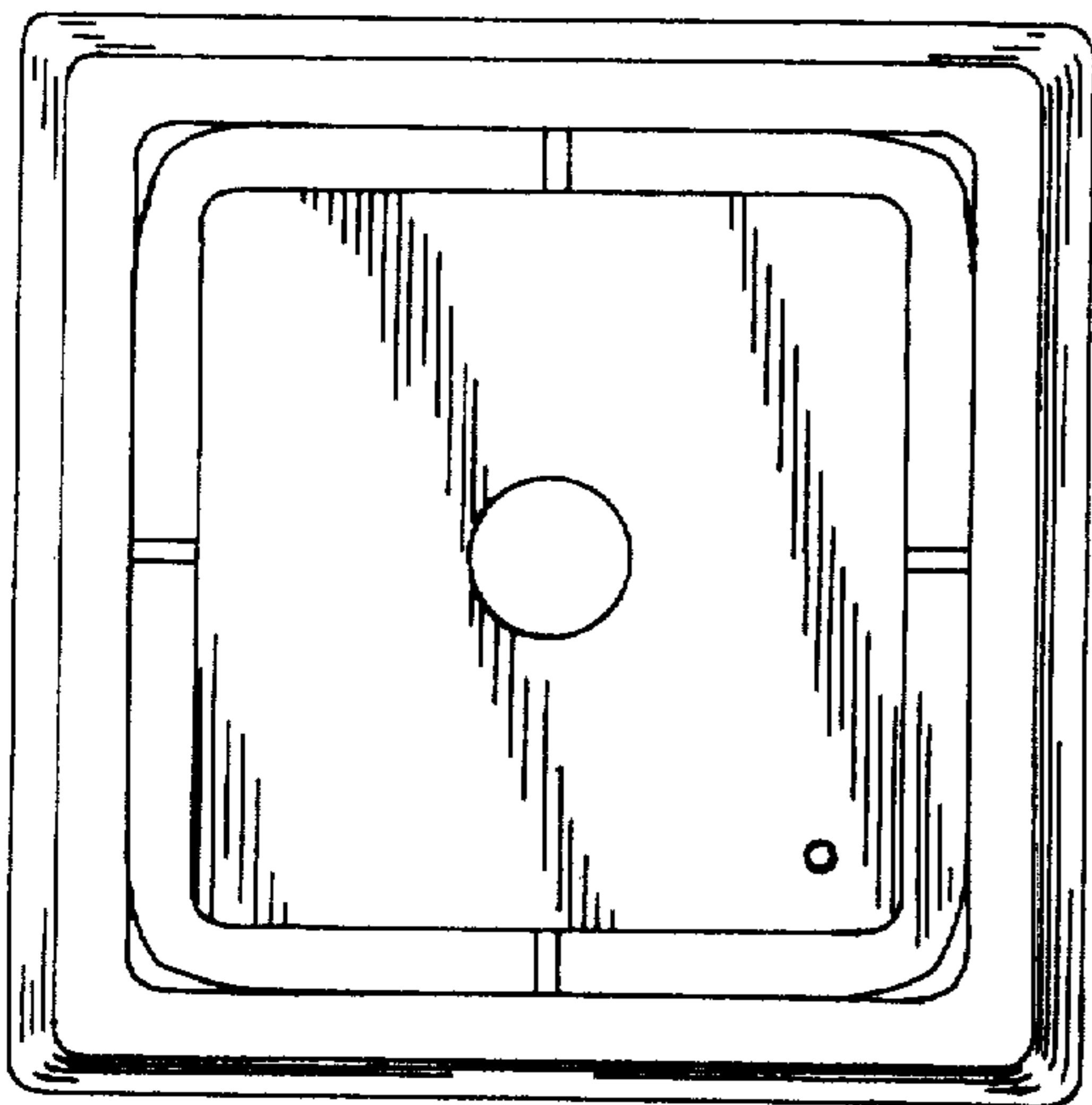


FIG. 4

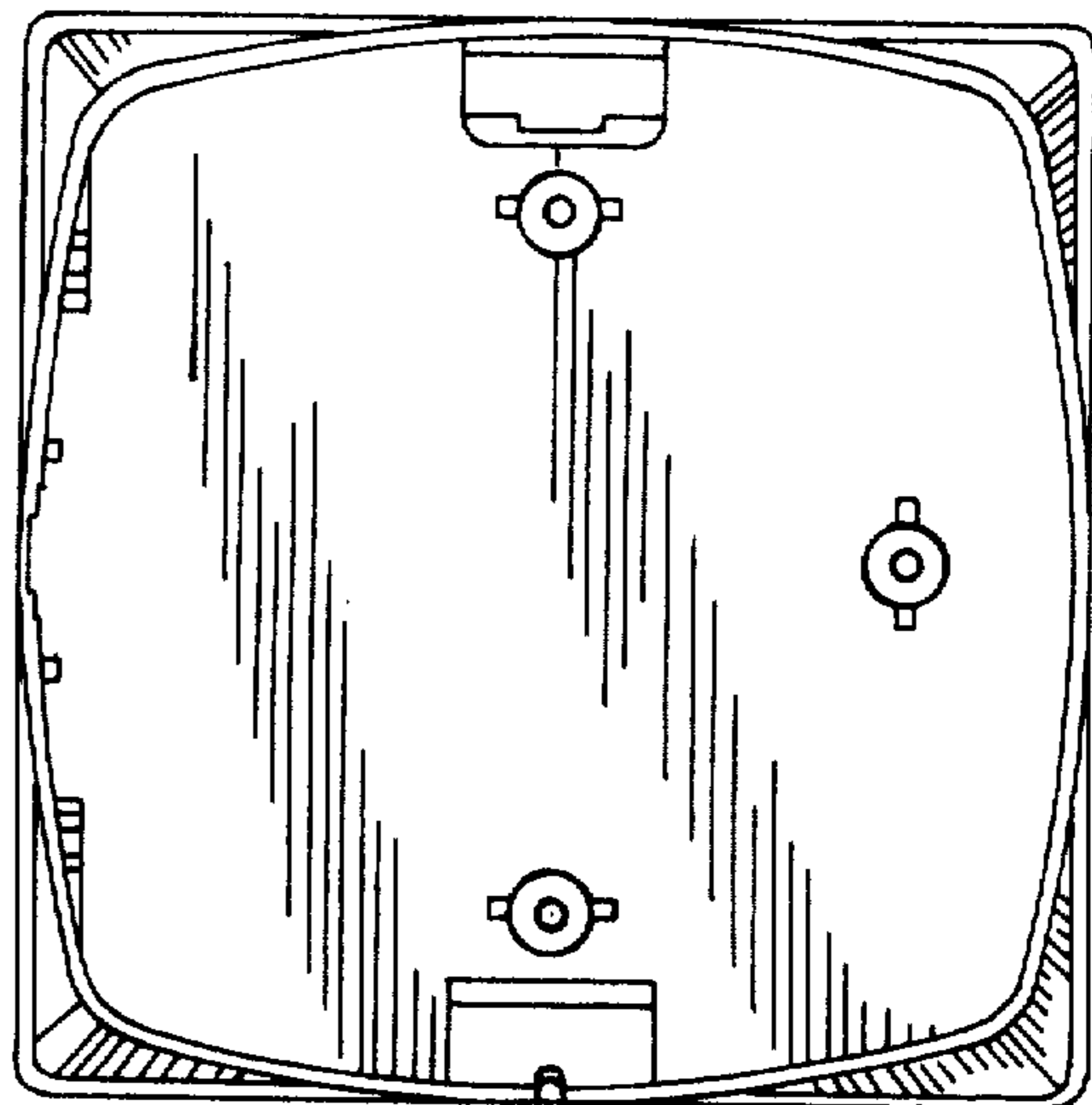


FIG. 5