

[54] ARCHERY BOW WEIGHT SCALE  
[76] Inventor: Paul D. MacWilliams, 4039  
Brunswick Ave., Los Angeles, Calif.  
90039

[\*\*] Term: 14 Years  
[21] Appl. No.: 573,394  
[22] Filed: May 1, 1975

[51] Int. Cl. .... D10-04  
[52] U.S. Cl. .... D10/83  
[58] Field of Search .... D10/87-94,  
D10/89 X, 83, 84; 33/161; 177/232, 233

[56] References Cited

U.S. PATENT DOCUMENTS

209,180	10/1878	Miles	177/232
985,213	2/1911	Shigley	177/233
1,443,877	1/1923	Gurlbaum	177/233
1,750,193	3/1930	Reynolds	177/232

2,364,609 12/1944 Almquist ..... D10/46 X  
2,450,188 9/1948 DeGraaf ..... 177/232

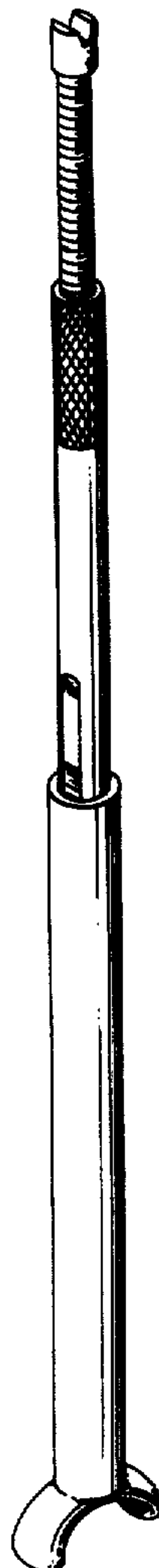
Primary Examiner—Nelson C. Holtje  
Attorney, Agent, or Firm—Donald Diamond

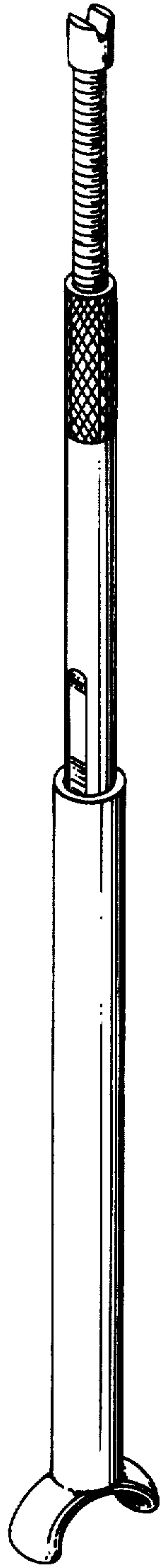
[57] CLAIM

The ornamental design for an archery bow weight scale, substantially as shown.

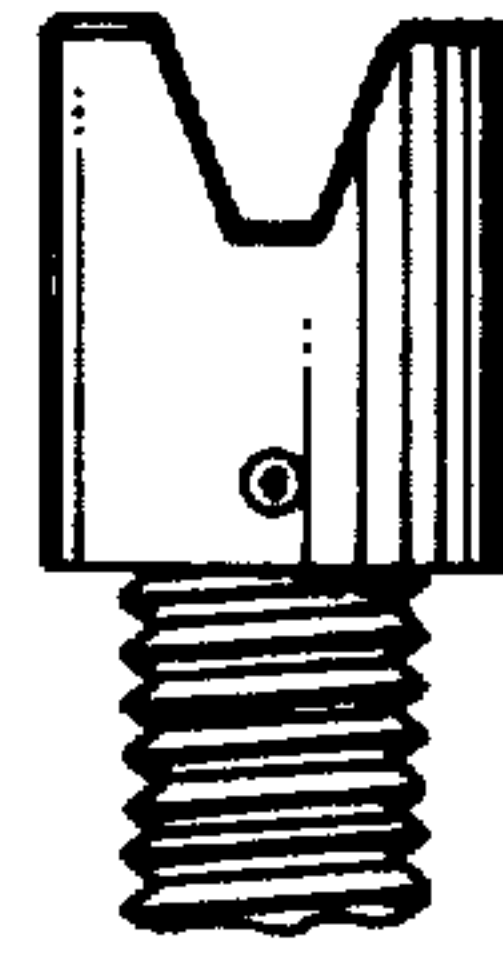
DESCRIPTION

FIG. 1 is a perspective view of an archery bow weight scale showing my new design;  
FIG. 2 is an enlarged, fragmentary, front view of the upper end thereof;  
FIG. 3 is a top view thereof;  
FIG. 4 is an enlarged, fragmentary, front view of the lower end thereof; and  
FIG. 5 is a bottom view thereof; and  
FIG. 6 is a fragmentary rear view thereof.

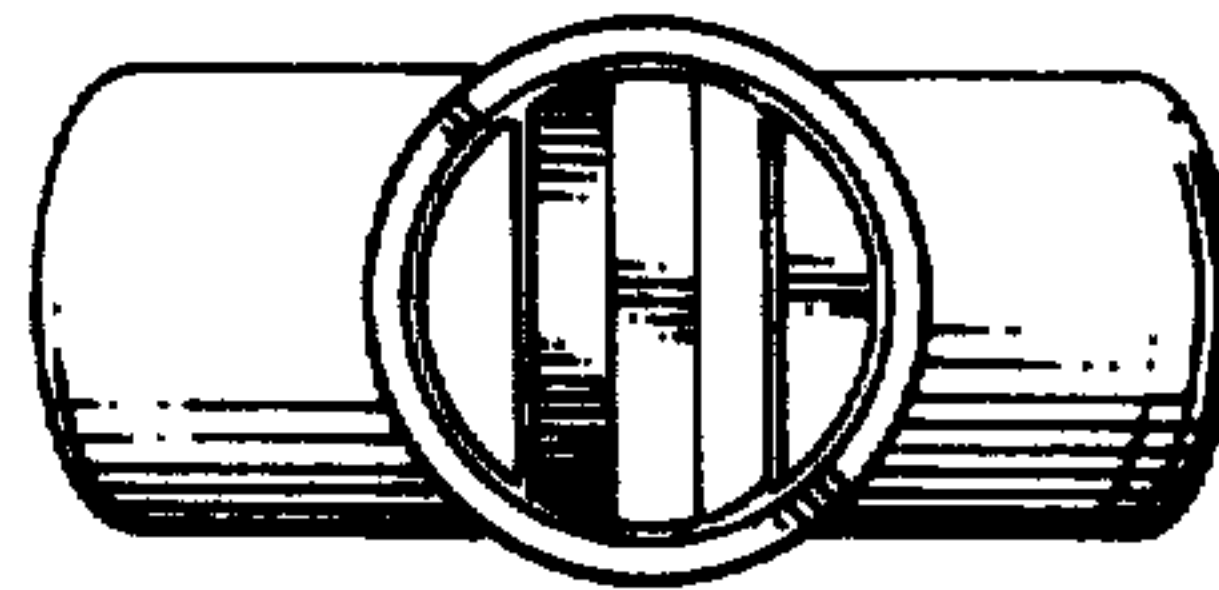




*Fig. 1*



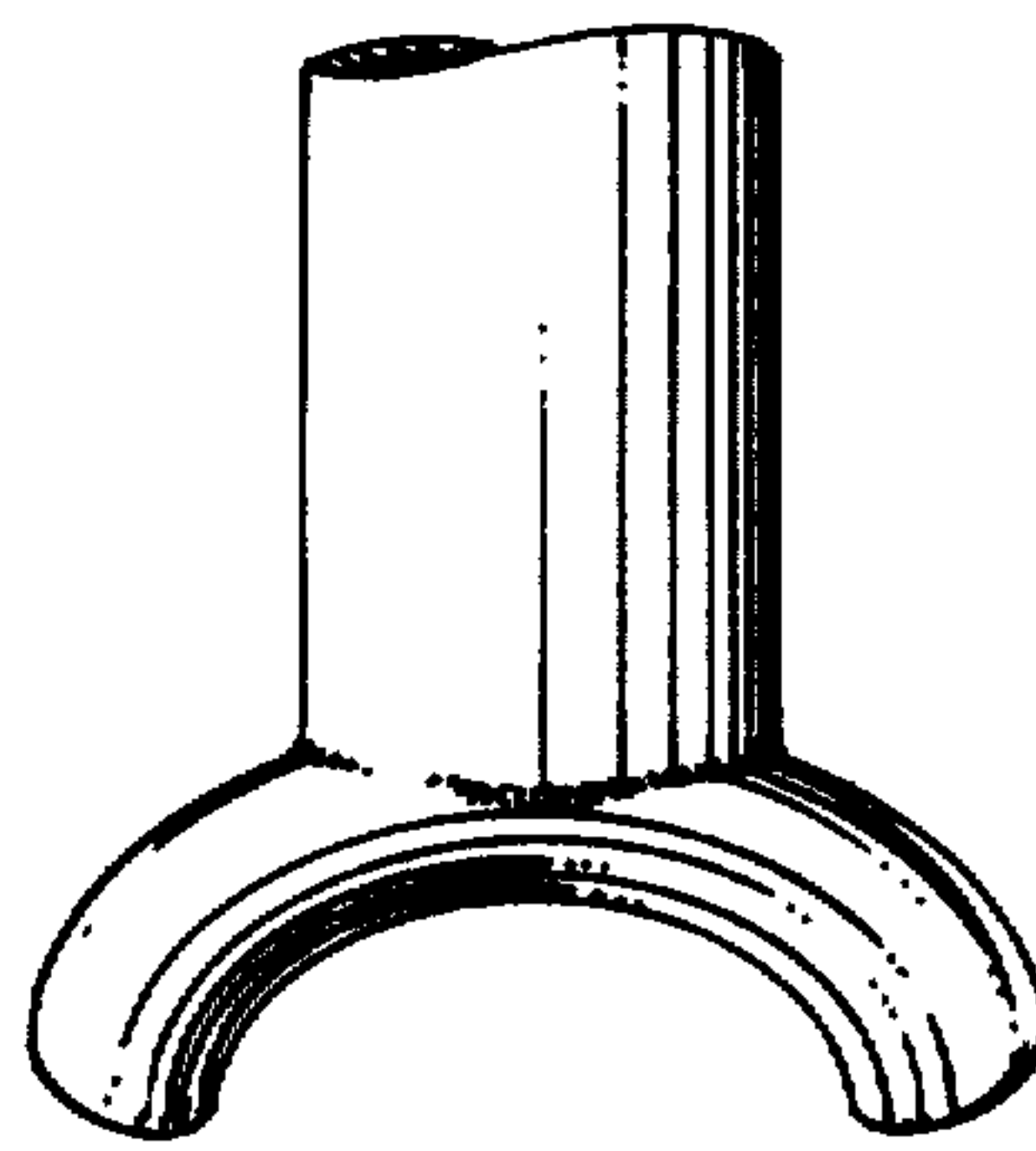
*Fig. 2*



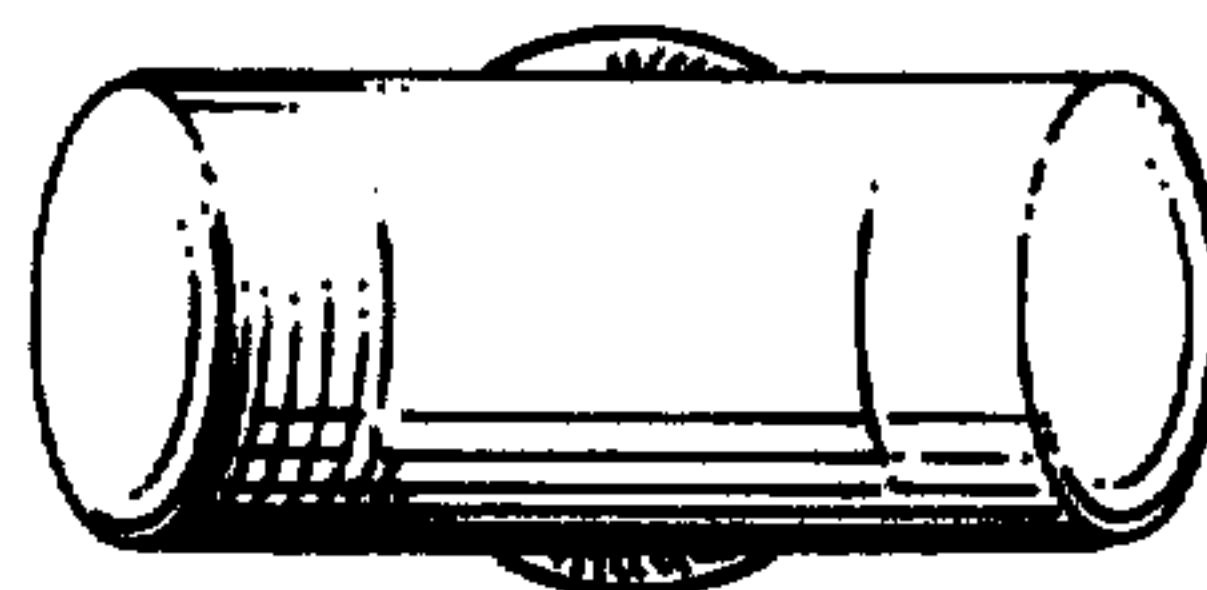
*Fig. 3*



*Fig. 6*



*Fig. 4*



*Fig. 5*