

[54] **COMBINED WRIST-WATCH CASE WITH BAND**

[75] Inventor: **Isao Kurihara**, Yokohama, Japan

[73] Assignee: **Citizen Watch Co., Ltd.**, Tokyo, Japan

[**] Term: **14 Years**

[21] Appl. No.: **597,355**

[22] Filed: **July 21, 1975**

[30] **Foreign Application Priority Data**

Feb. 25, 1975 Japan 50-7250

[51] **Int. Cl.** **D10-02**

[52] **U.S. Cl.** **D10/32**

[58] **Field of Search** **D10/30-39, D10/38 X, 32 X; D45/4 E; 58/50 R, 50 A, 88 G, 53-56**

[56] **References Cited**

U.S. PATENT DOCUMENTS

2,189,096 2/1940 Alonge D45/4 E
2,542,358 2/1951 Ritter D45/4 E

3,700,148 10/1972 Lanvin D45/4 E X
D. 152,417 1/1949 Glass D10/32
D. 186,818 12/1959 Gale D10/32
D. 225,763 1/1973 de Baschmakoff D10/32

FOREIGN PATENT DOCUMENTS

12,253 5/1903 United Kingdom..... D45/4 E X

Primary Examiner—Nelson C. Holtje
Attorney, Agent, or Firm—W. Robert Spensley

[57] **CLAIM**

The ornamental design for a combined wrist-watch case with band, substantially as shown.

DESCRIPTION

FIG. 1 is a top, front perspective view of a combined wristwatch case and band showing my new design; FIG. 2 is a top plan view thereof on a reduced scale; FIG. 3 is a front side elevational view of FIG. 2; FIG. 4 is a left end elevational view of FIG. 2; FIG. 5 is a bottom plan view of FIG. 2; FIG. 6 is a rear side elevational view of FIG. 2; FIG. 7 is a right end elevational view of FIG. 2.

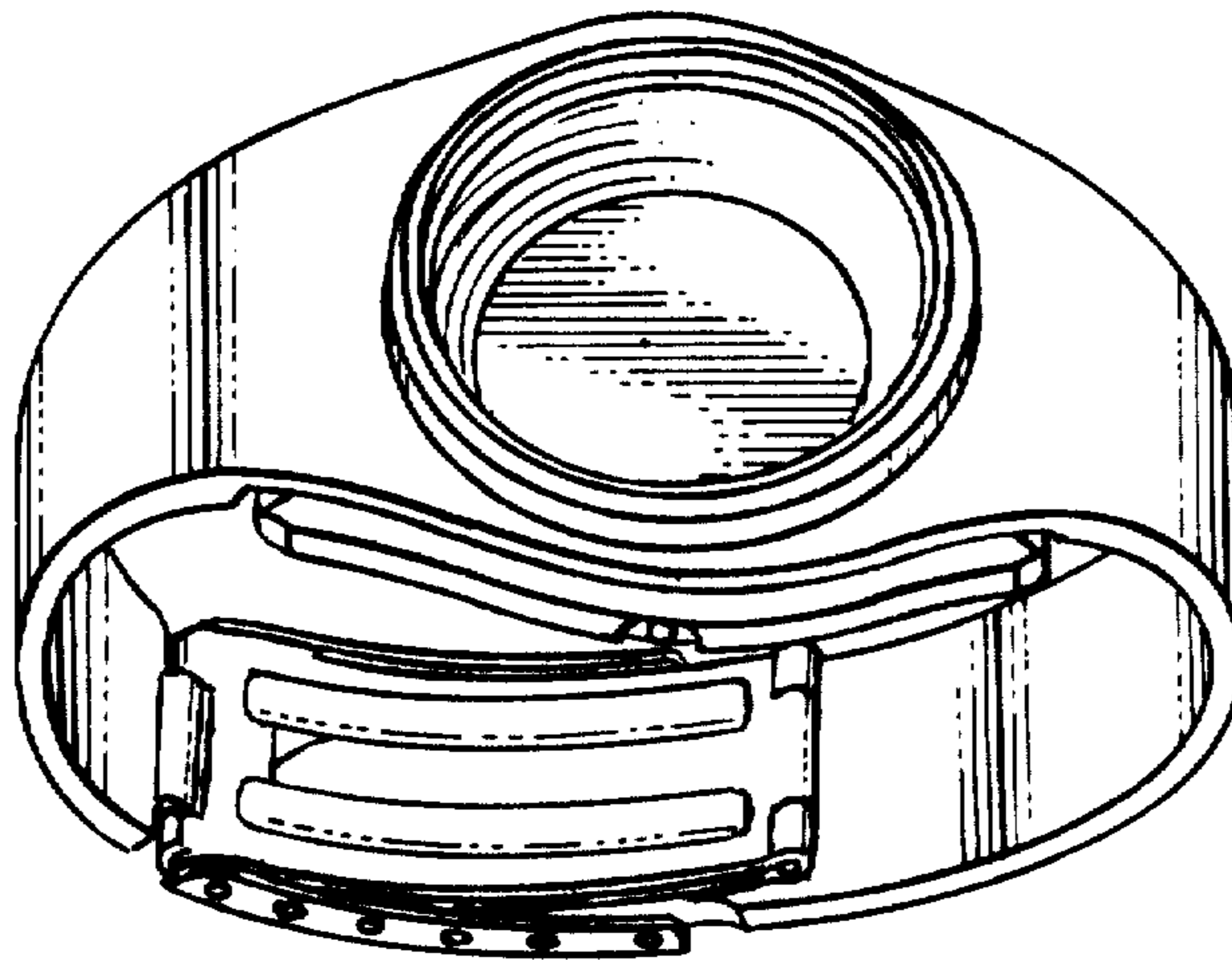


Fig. 1

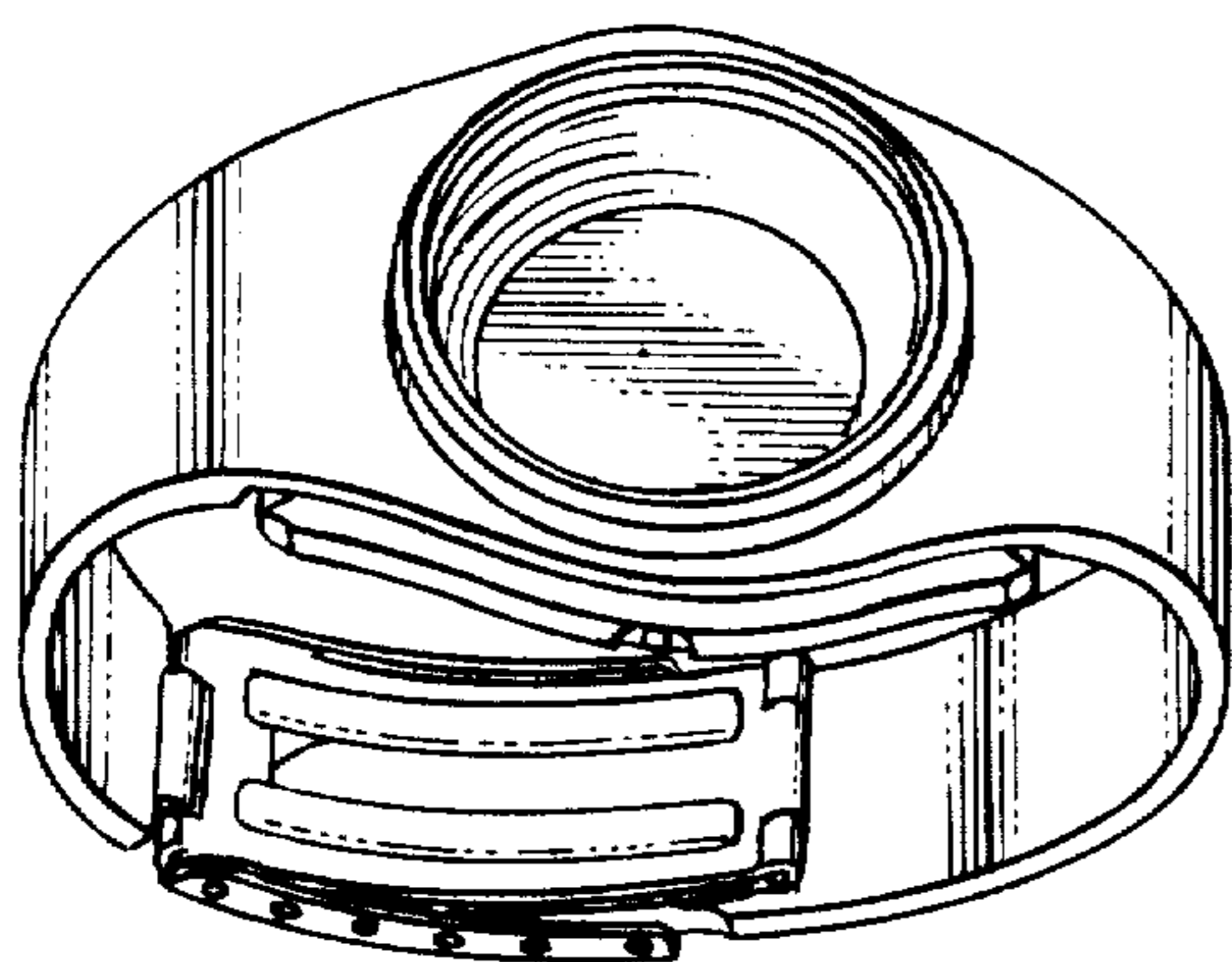


Fig. 2

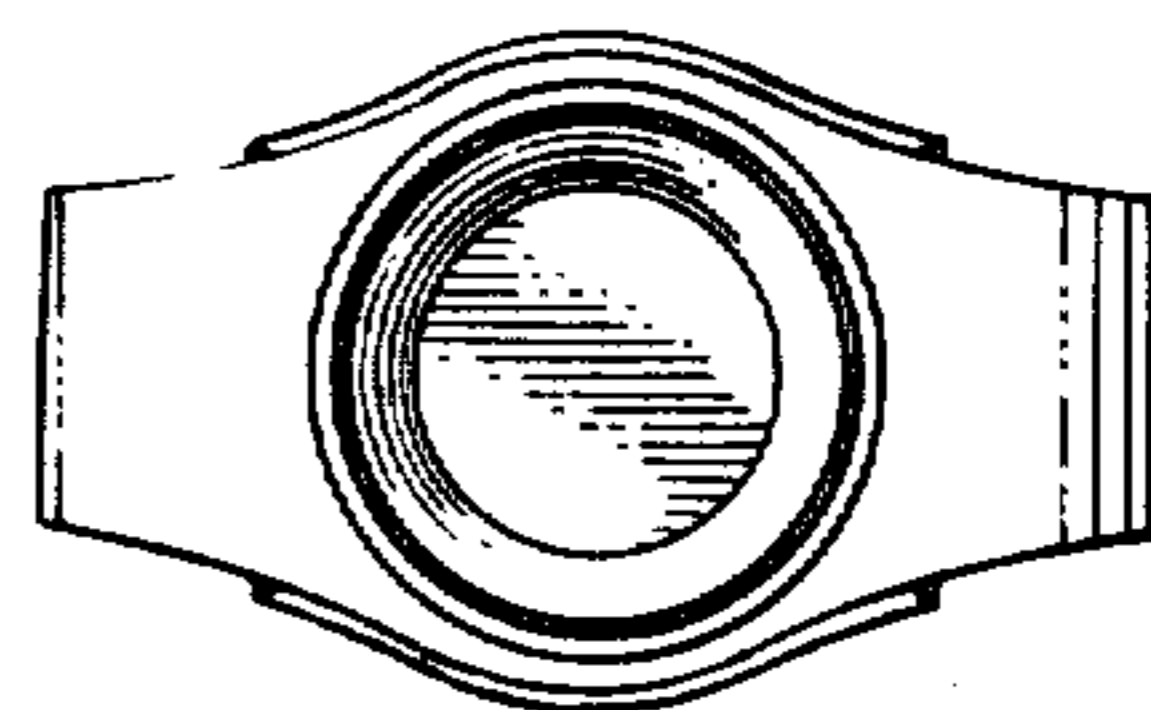


Fig. 4

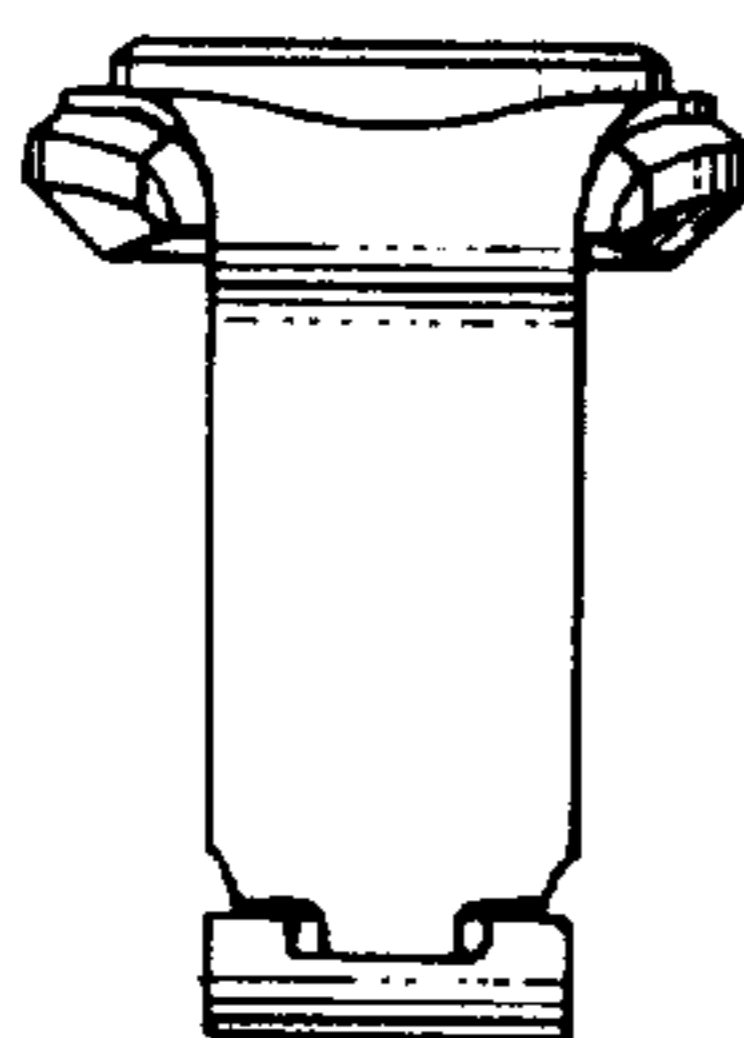


Fig. 3

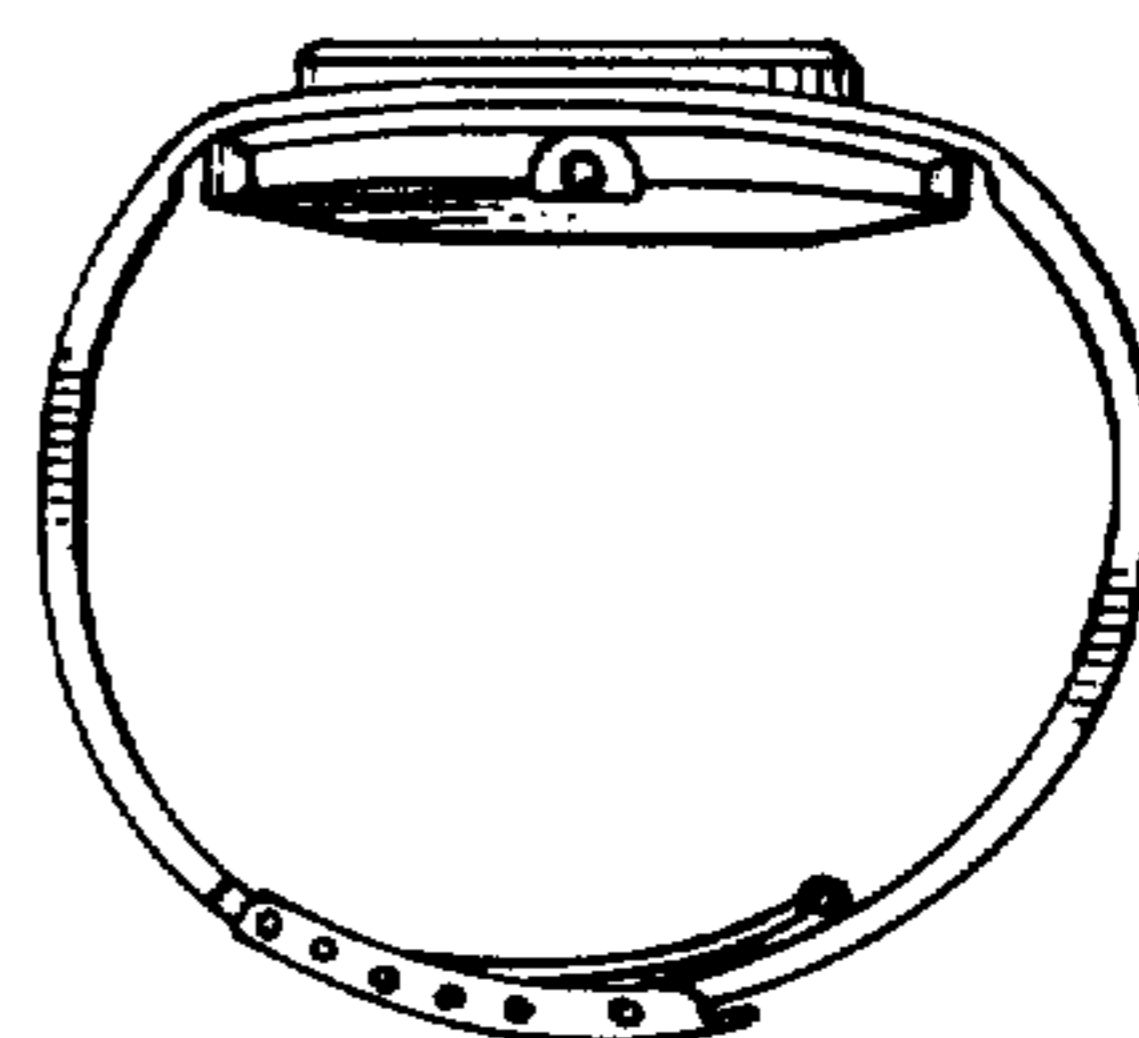


Fig. 6

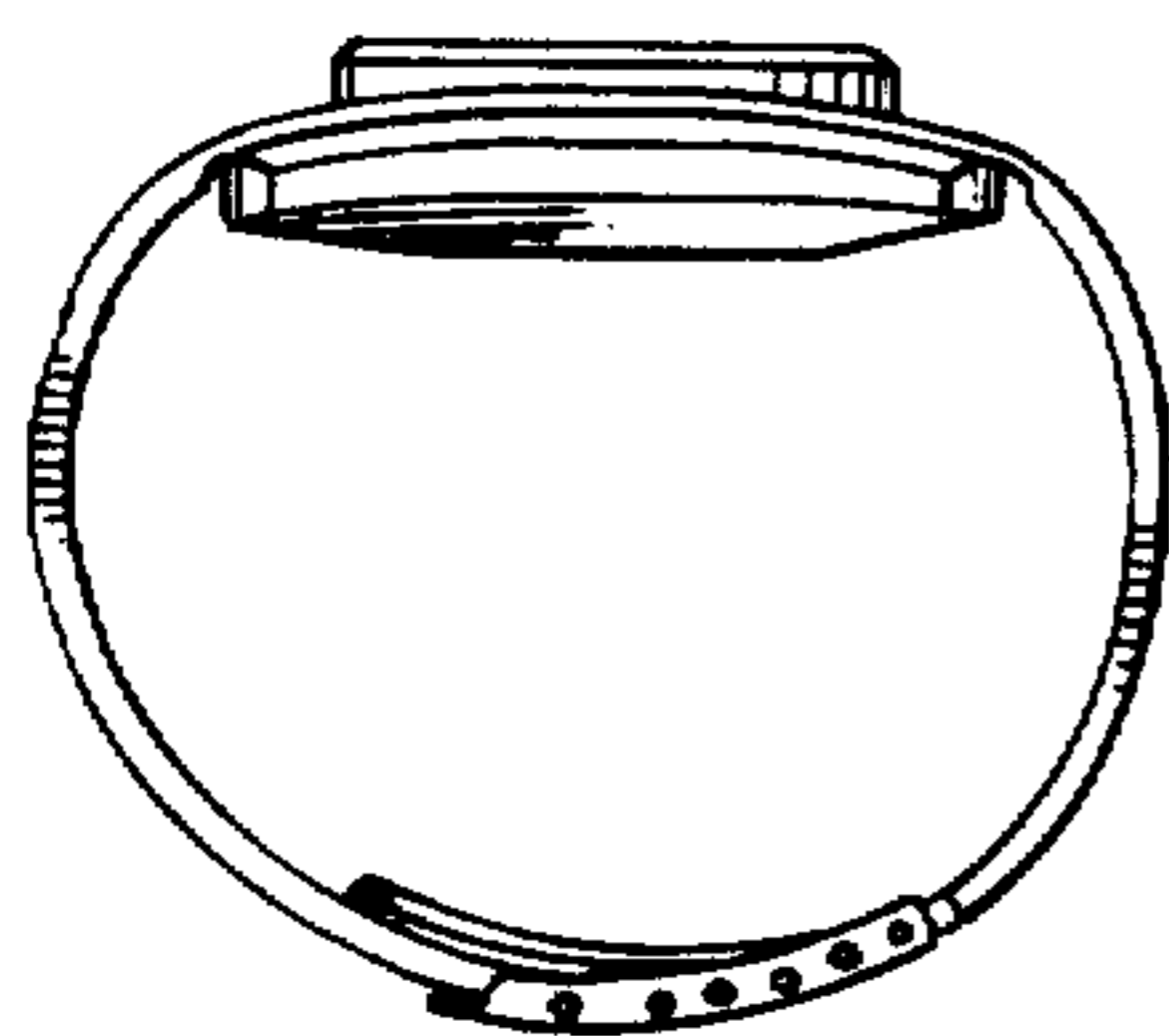


Fig. 5

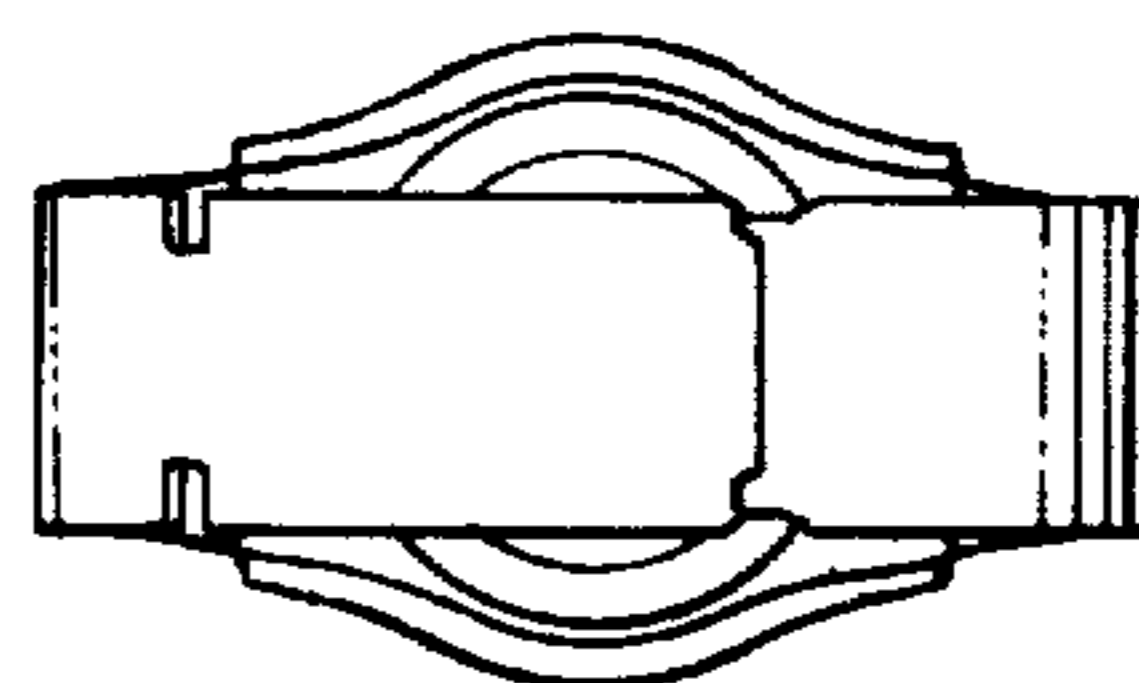


Fig. 7

