

[54] BARBEQUE

[76] Inventor: Carol Lee Heberling, 10890 Loma Vista, Ventura, Calif. 93003

[**] Term: 14 Years

[21] Appl. No.: 662,324

[22] Filed: Mar. 1, 1976

[51] Int. Cl. D7-05

[52] U.S. Cl. D7/110

[58] Field of Search D7/107-110;
126/1 R, 25 R, 25 A, 25 AA, 25 B, 29 AR

Primary Examiner—Wallace R. Burke
Assistant Examiner—Catherine Kemper
Attorney, Agent, or Firm—Ralph B. Pastoriza

[57] CLAIM

The ornamental design for a barbeque, substantially as shown.

DESCRIPTION

FIG. 1 is a perspective view of a barbeque showing my new design;
FIG. 2 is a front elevational view thereof;
FIG. 3 is a rear elevational view thereof;
FIG. 4 is a top plan view thereof;
FIG. 5 is a bottom plan view thereof;
FIG. 6 is a right end elevational view thereof;
FIG. 7 is a left end elevational view thereof.

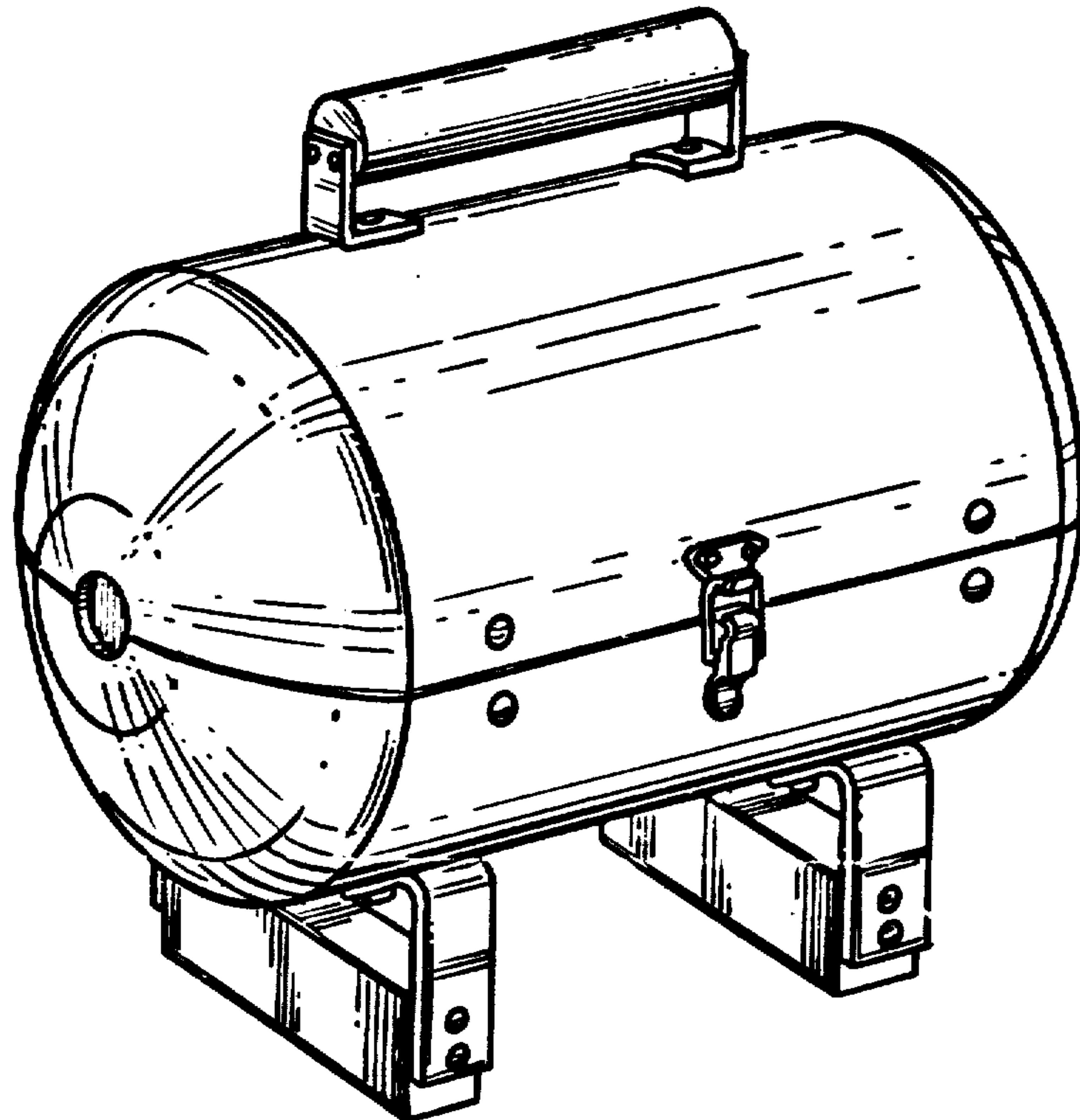
[56] References Cited

U.S. PATENT DOCUMENTS

D. 235,088 5/1975 Erickson D7/110
D. 237,856 12/1975 Madson et al. D7/107

OTHER PUBLICATIONS

Electrical Merchandising Week, July 10, 1961, p. 20,
Royal Chef Brazier No. ROS-38.



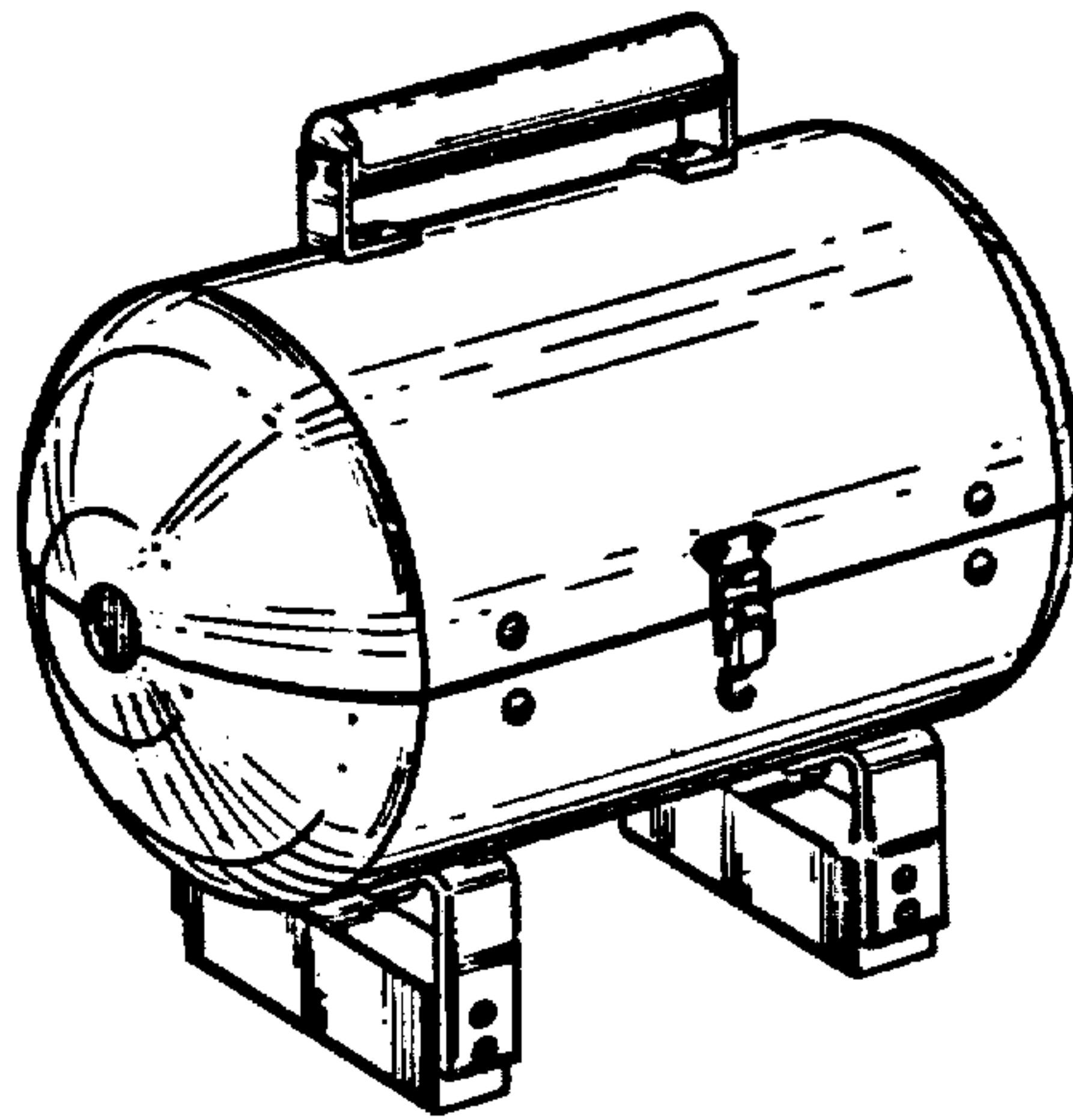


FIG. 1

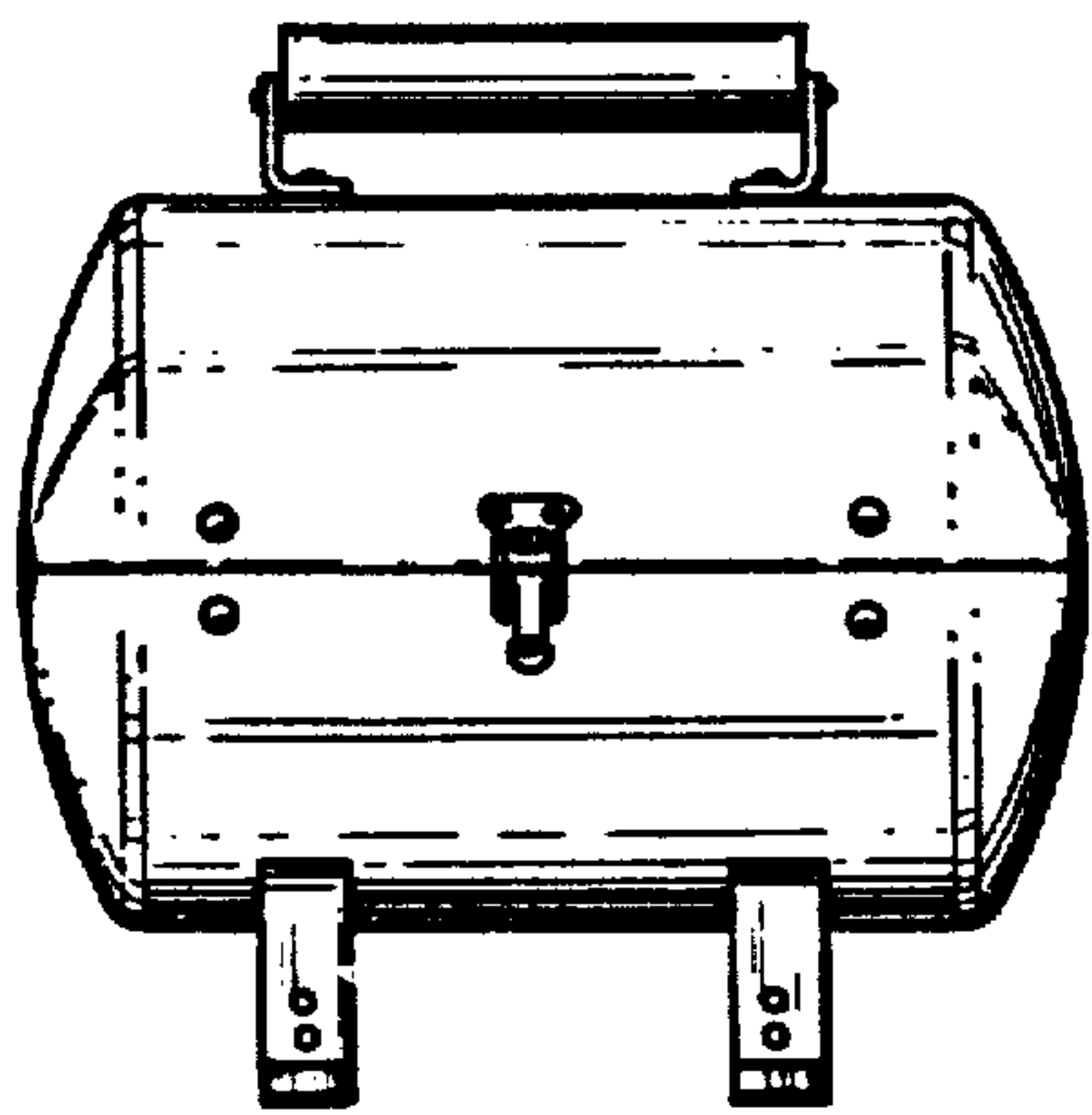


FIG. 2

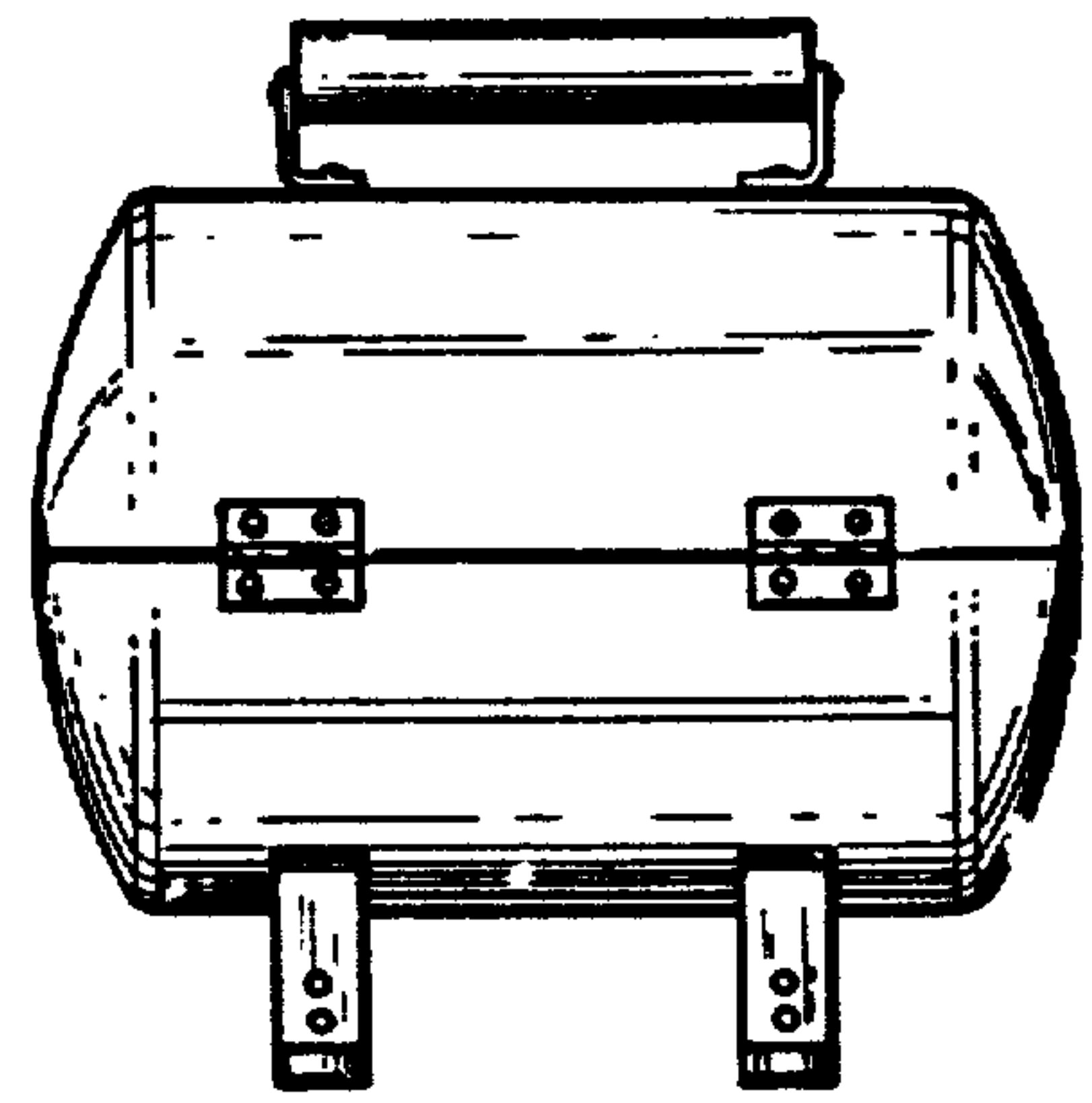


FIG. 3

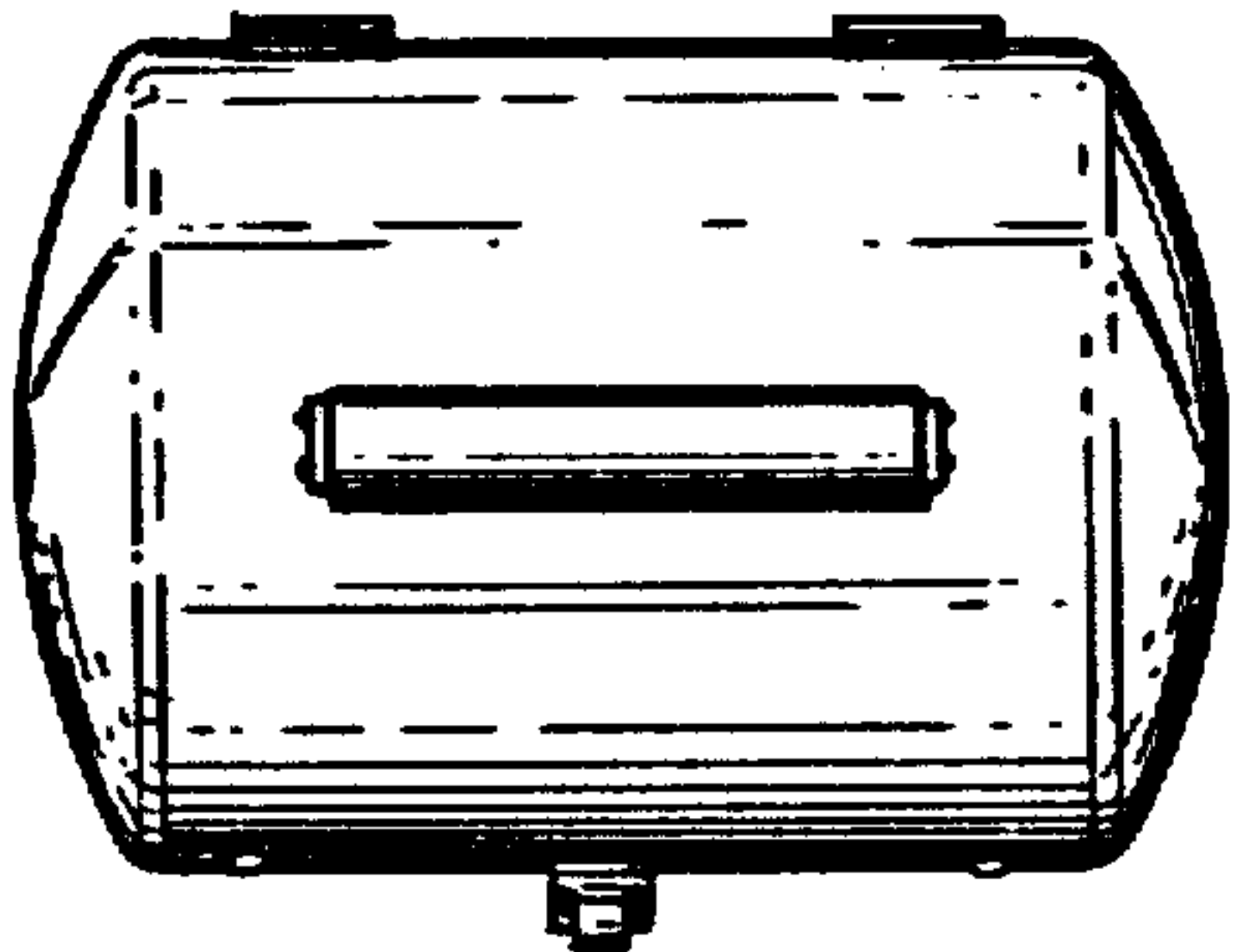


FIG. 4

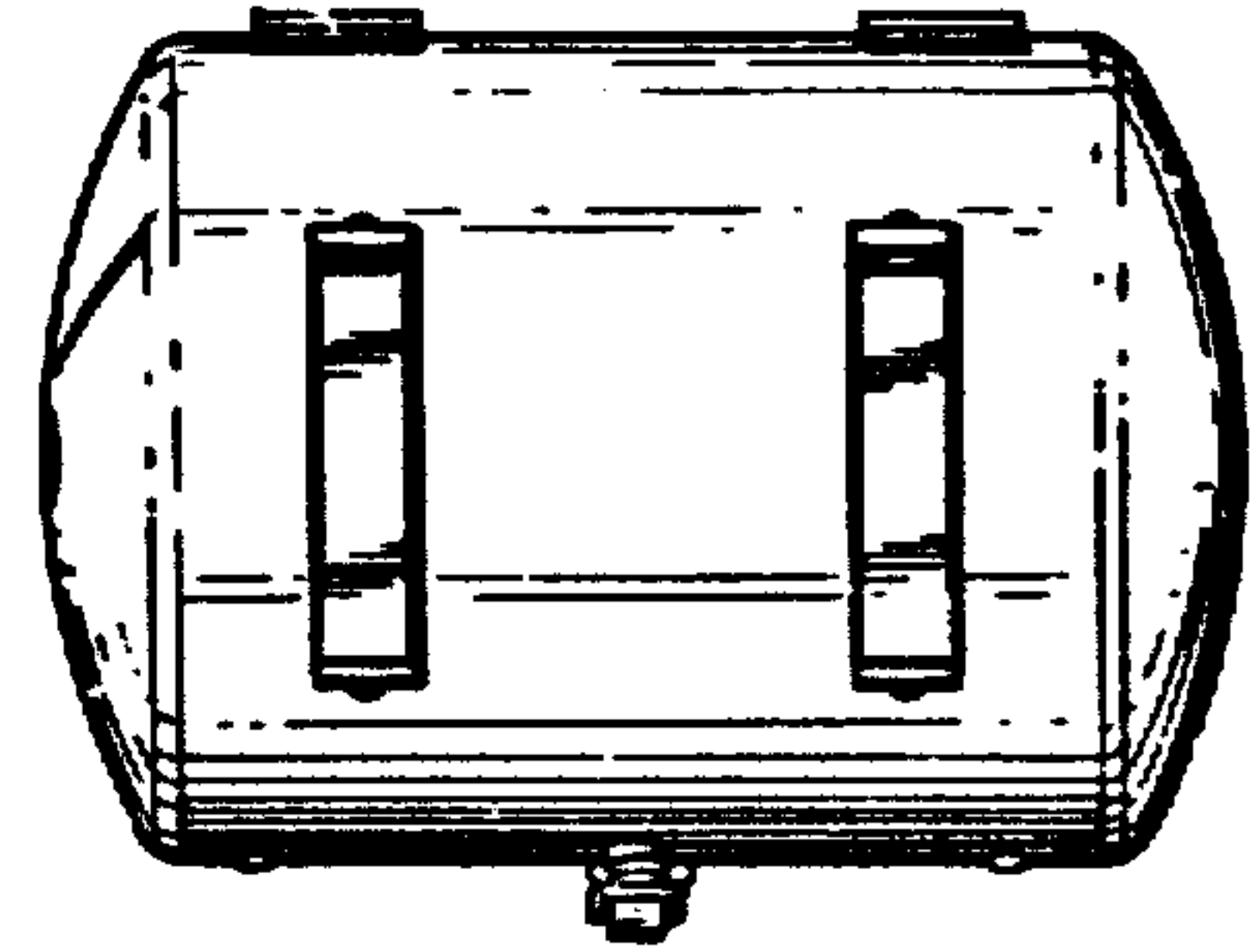


FIG. 5

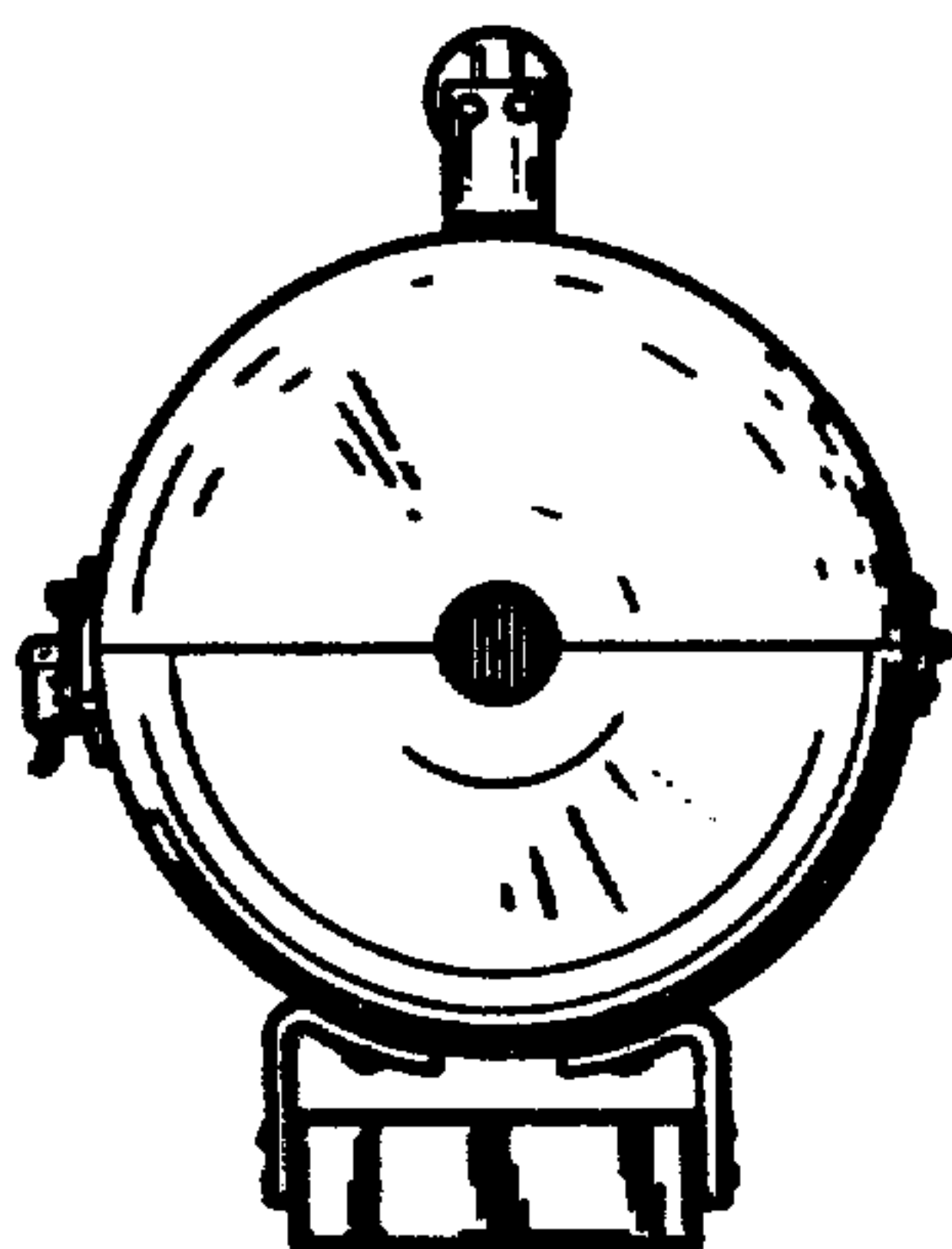


FIG. 6

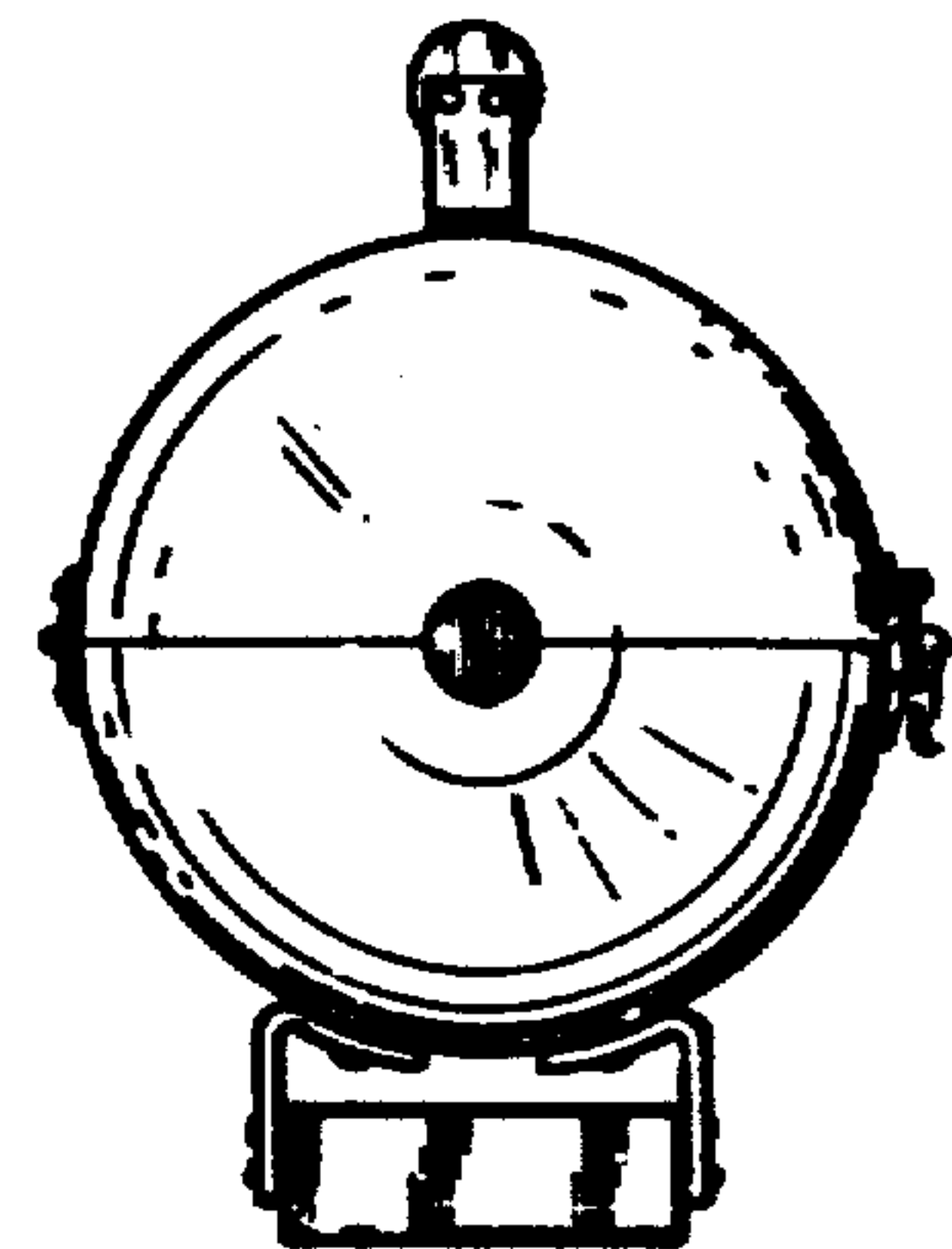


FIG. 7