

[54] **KNOCKDOWN FURNITURE BASE OR SIMILAR ARTICLE**
 [76] Inventor: **John W. Moyer**, 2342 Jackson St., Fremont, Calif. 94538
 [**] Term: **14 Years**
 [21] Appl. No.: **584,386**
 [22] Filed: **June 6, 1975**
 [51] Int. Cl. **D6-06**
 [52] U.S. Cl. **D6/191**
 [58] Field of Search **D6/196, 192, 27, 175, D6/177-179; 108/159**

D. 209,406 11/1967 Vaughan D6/196

Primary Examiner—Bruce W. Dunkins
Attorney, Agent, or Firm—Roger W. Erickson

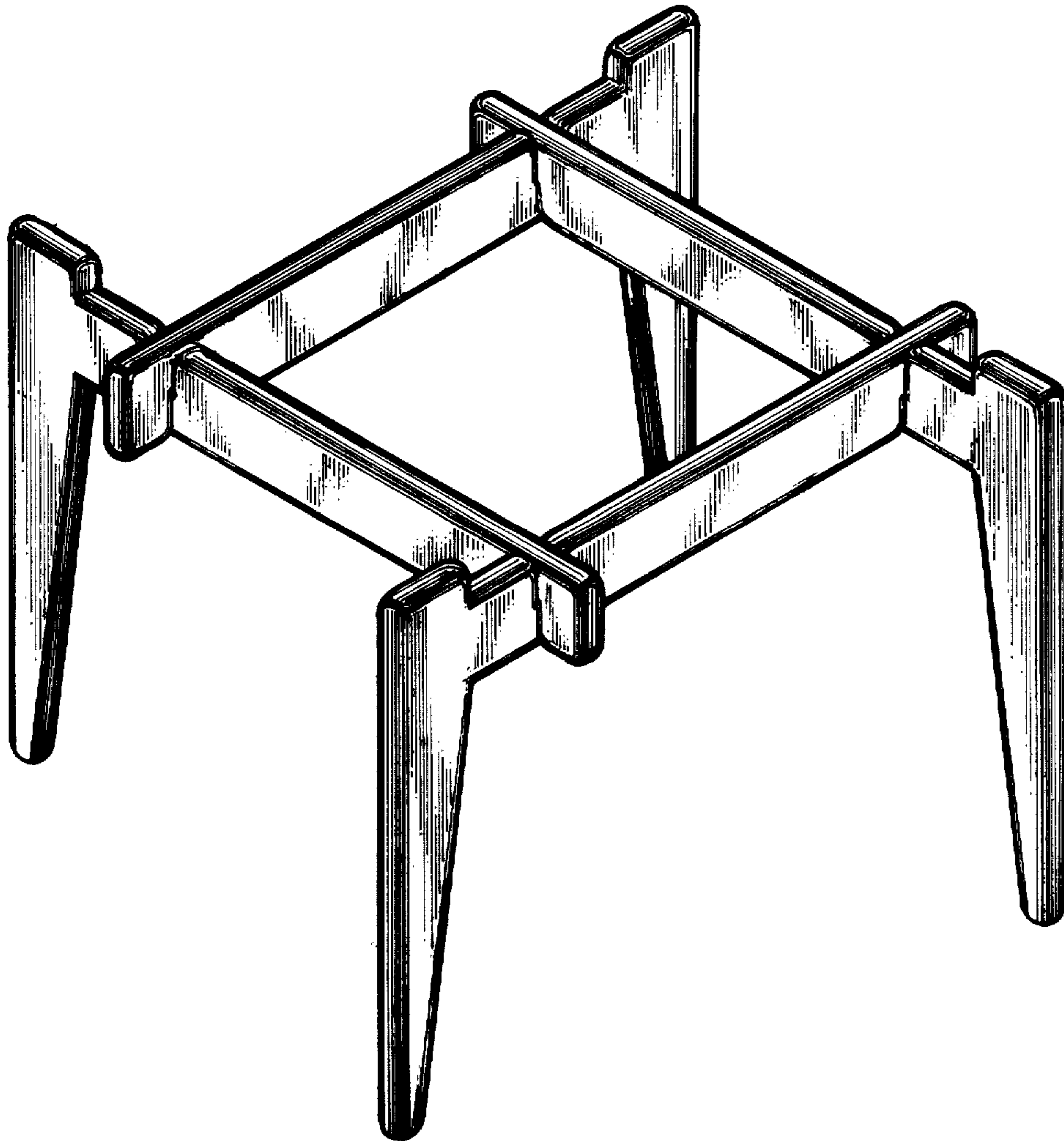
[57] **CLAIM**

The ornamental design for a knockdown furniture base or similar article, substantially as shown and described.

DESCRIPTION

FIG. 1 is a view in perspective of a knockdown furniture base or similar article showing the features of my new design;
 FIG. 2 is a top view of the same;
 FIG. 3 is a view in front elevation of the same which is the same as a rear view in elevation;
 FIG. 4 is a right side view in elevation of the same which is the same as a left side view in elevation; and
 FIG. 5 is a bottom view of the same.

[56] **References Cited**
U.S. PATENT DOCUMENTS
 1,645,336 10/1927 McGlothern 108/159
 2,427,832 9/1947 Berger 108/159
 D. 141,222 5/1945 Rapson D6/196



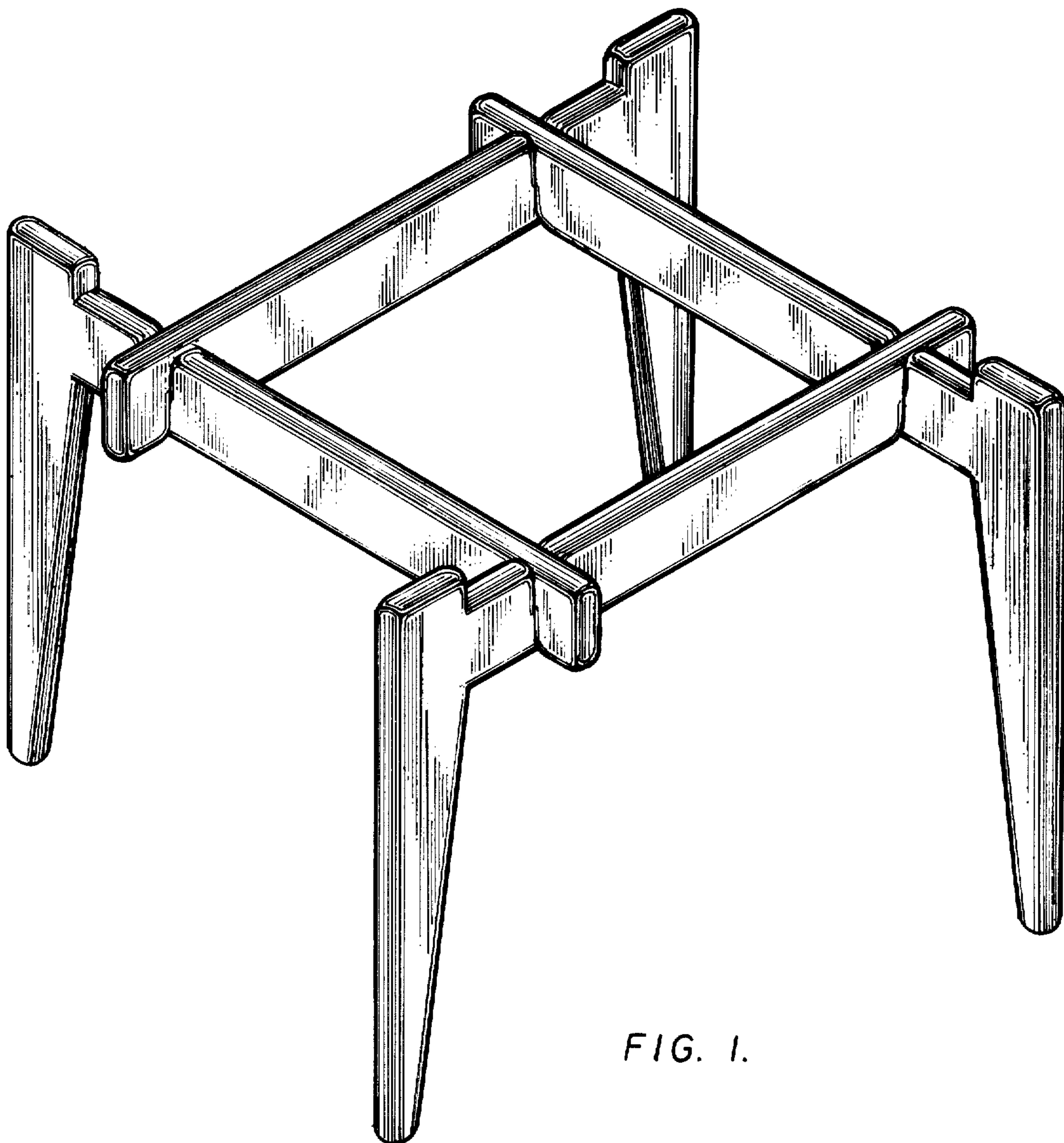


FIG. 1.

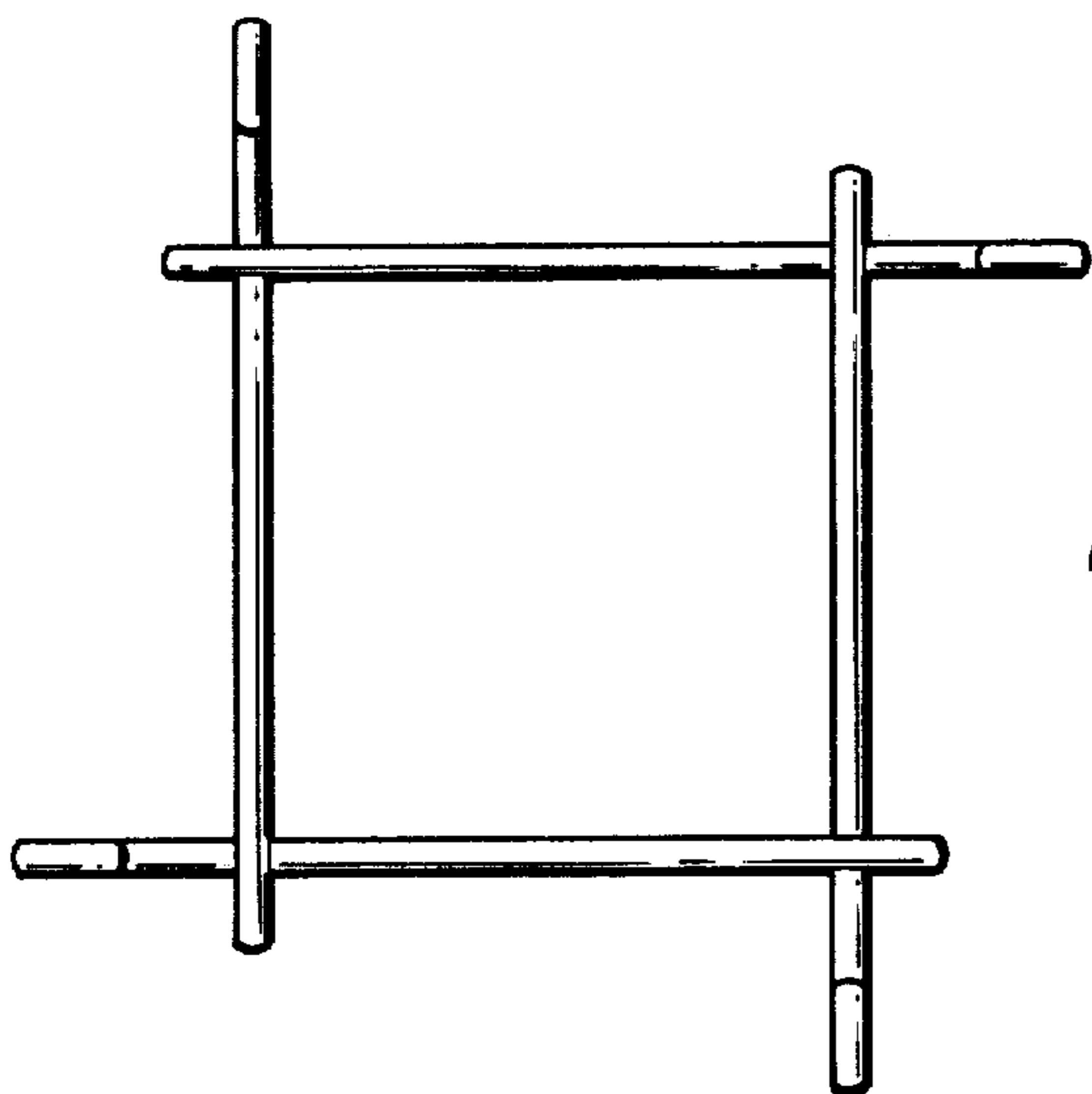


FIG. 2.

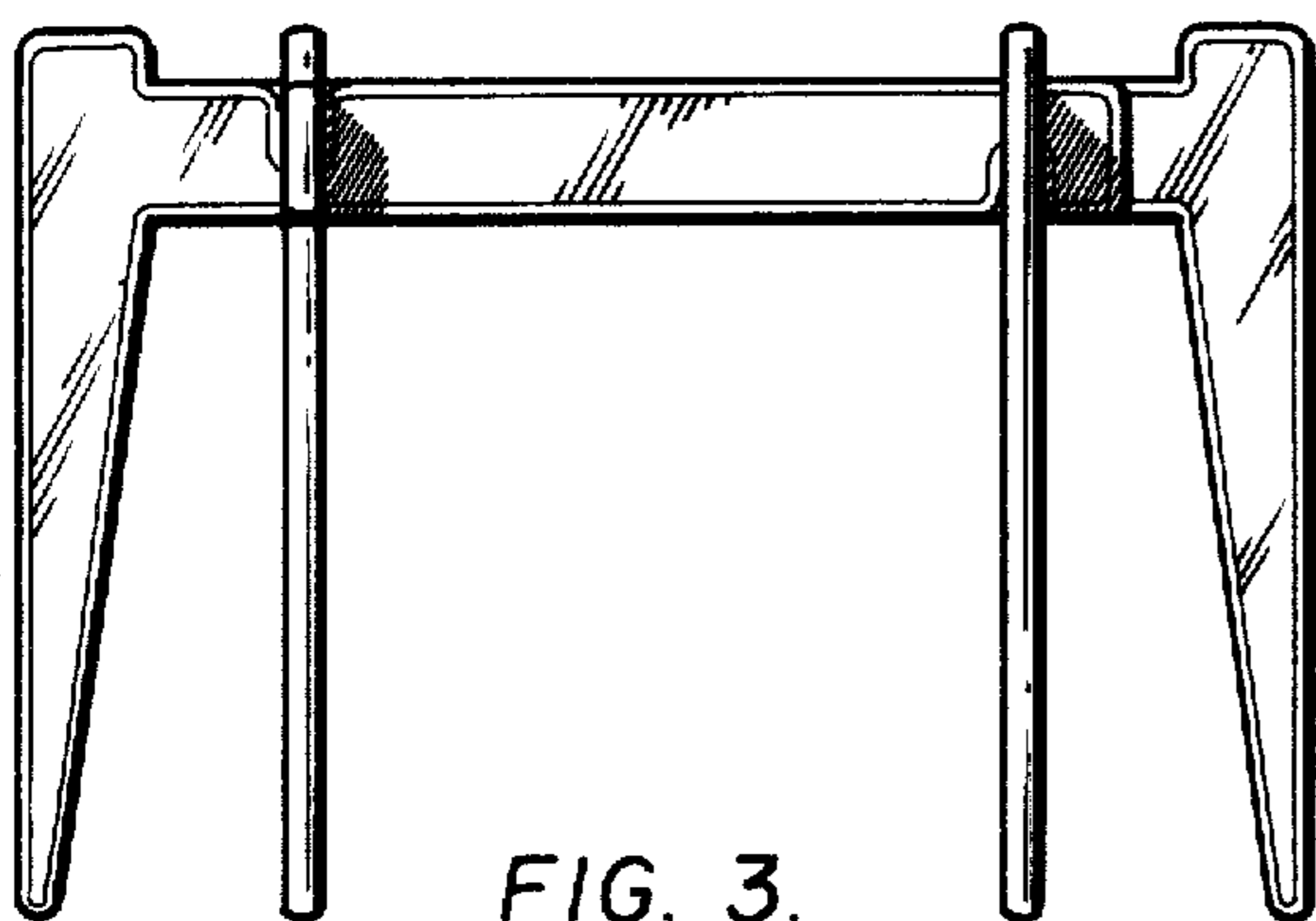


FIG. 3.

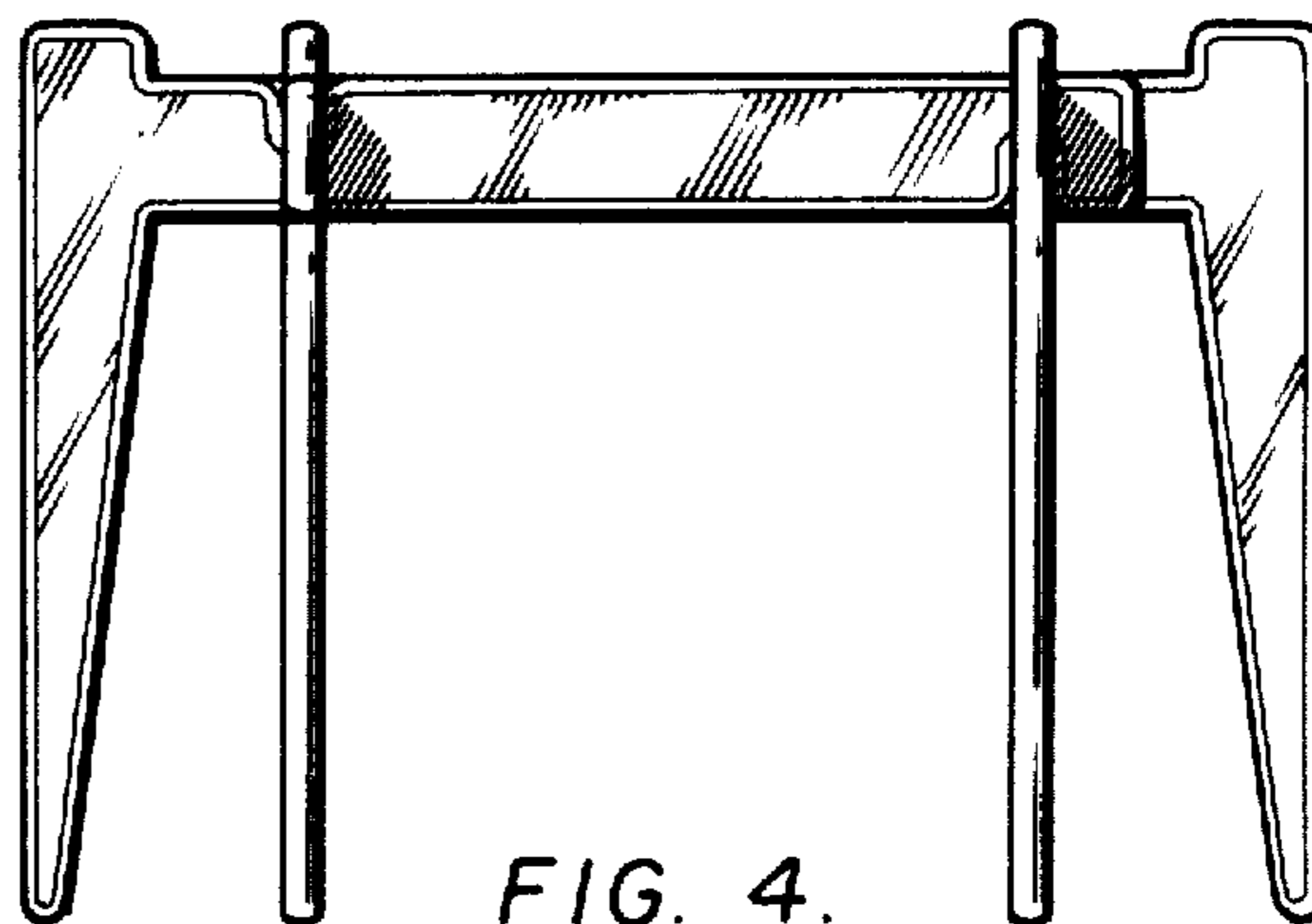


FIG. 4.

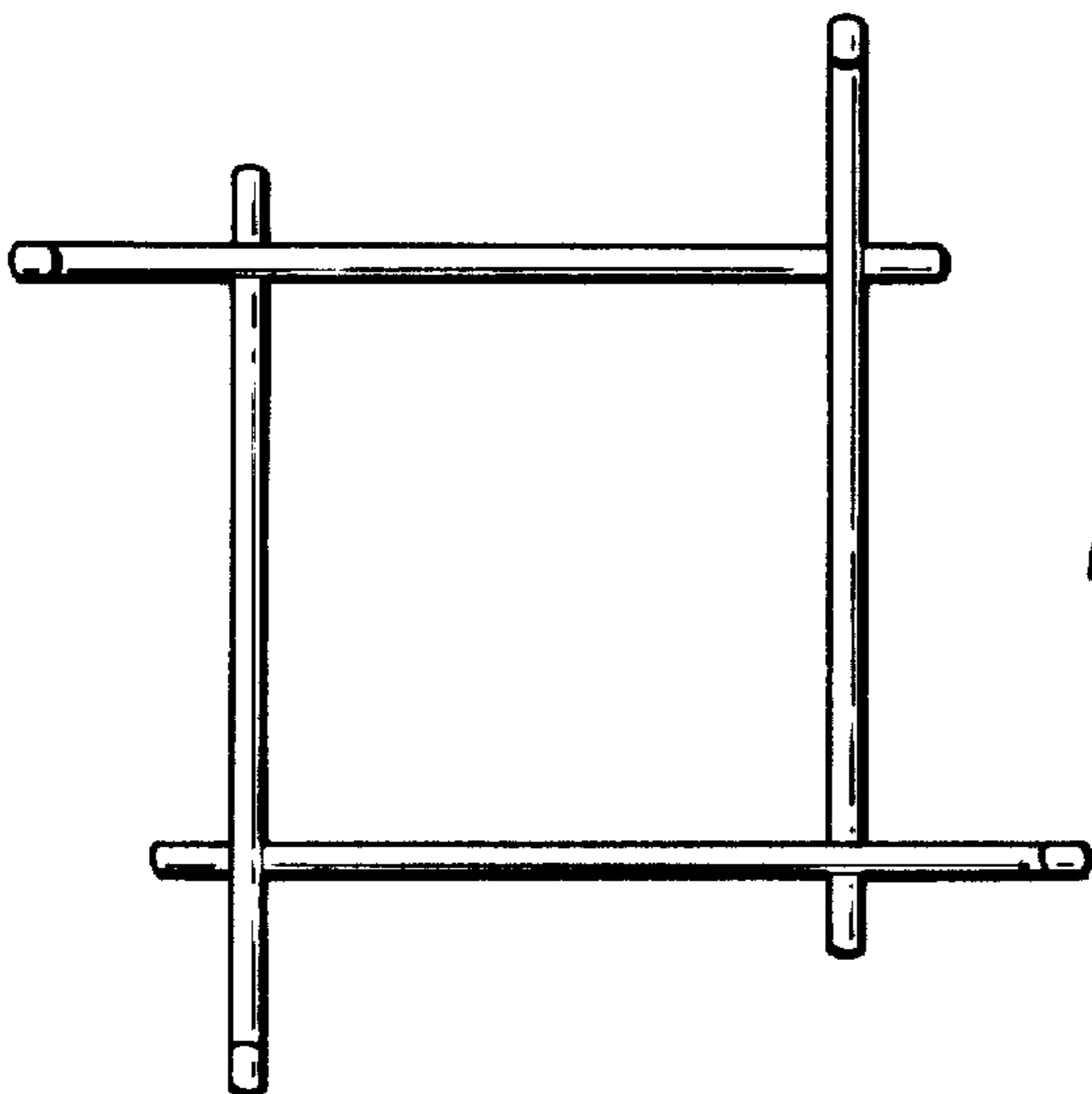


FIG. 5.