

[54] **ARMREST COVER OR SIMILAR ARTICLE**

[76] Inventor: **Robert S. Fuqua**, 1530 Glenhurst, Wichita, Kans. 67212

[\*\*] Term: **7 Years**

[21] Appl. No.: **609,424**

[22] Filed: **Sept. 2, 1975**

[51] Int. Cl. .... **D6-13**

[52] U.S. Cl. .... **D6/269**

[58] Field of Search ..... **D6/67-78, D6/190, 48, 194, 195, 196, 269**

[56] **References Cited**

**U.S. PATENT DOCUMENTS**

D. 178,372 7/1956 Jeckell ..... D6/269

D. 184,056 12/1958 Kaye ..... D6/269  
D. 238,993 3/1976 Schultz ..... D6/191

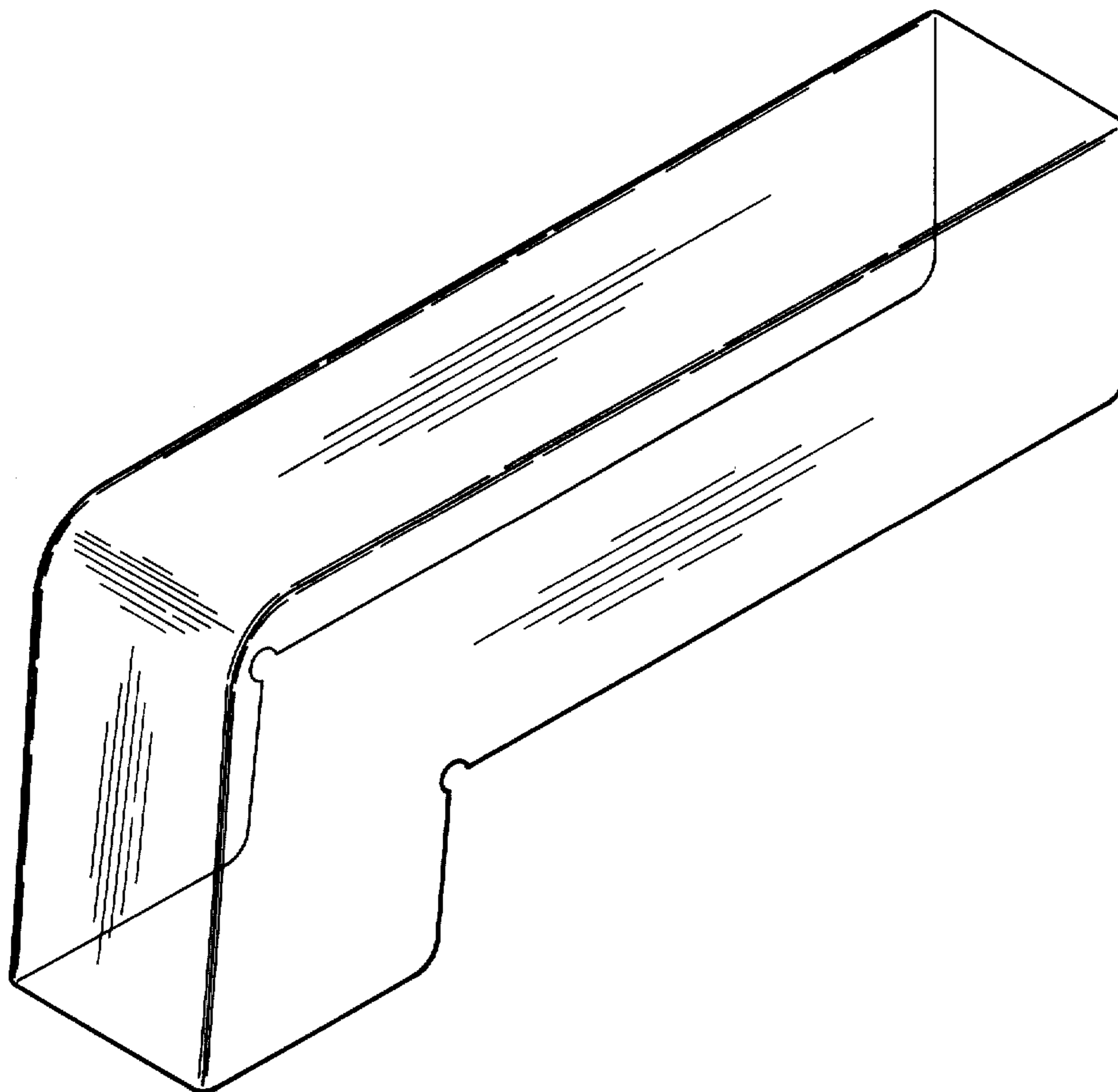
*Primary Examiner*—Bruce W. Dunkins  
*Attorney, Agent, or Firm*—Phillip A. Rein

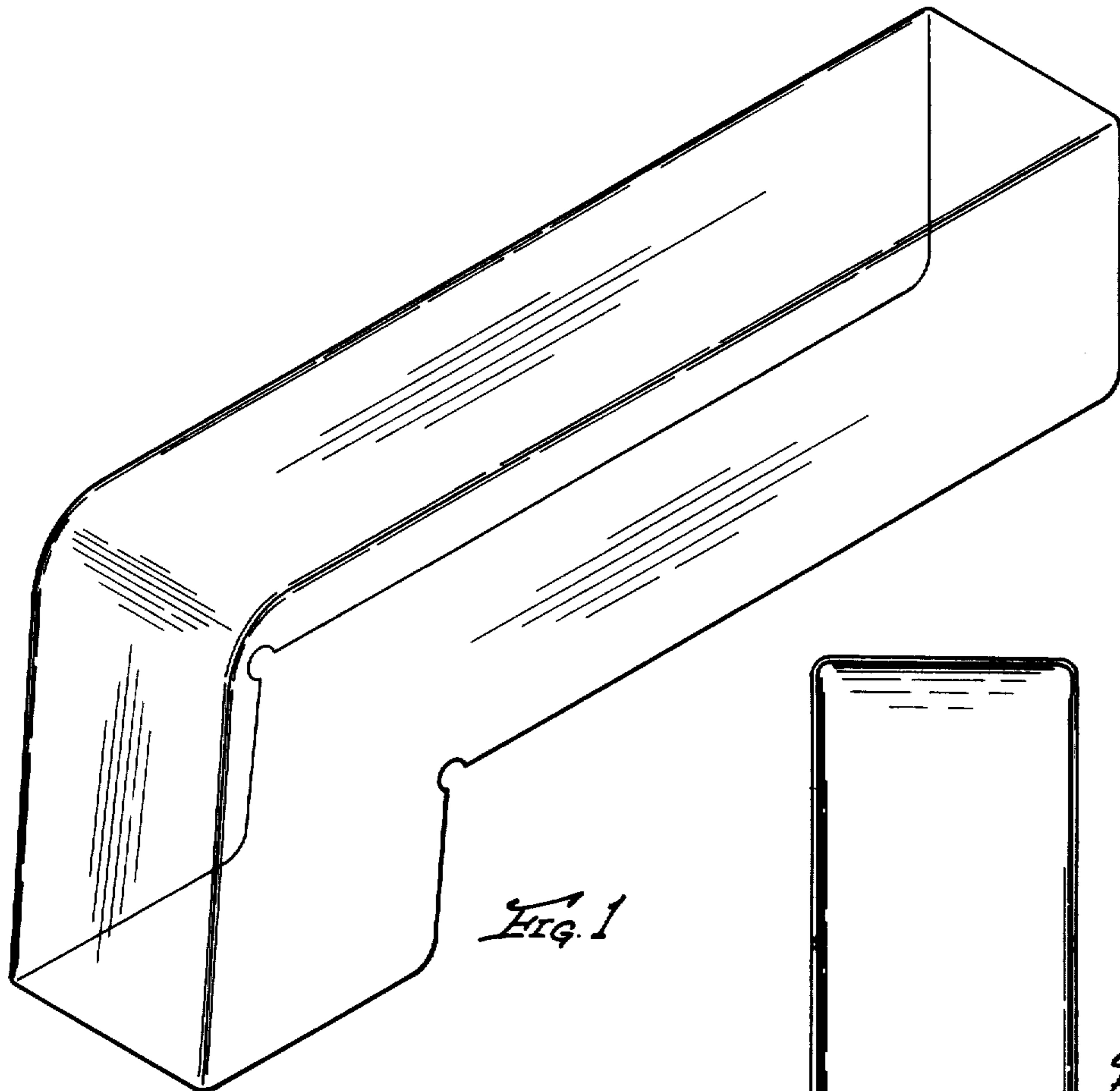
[57] **CLAIM**

The ornamental design for an armrest cover, or similar article, as shown.

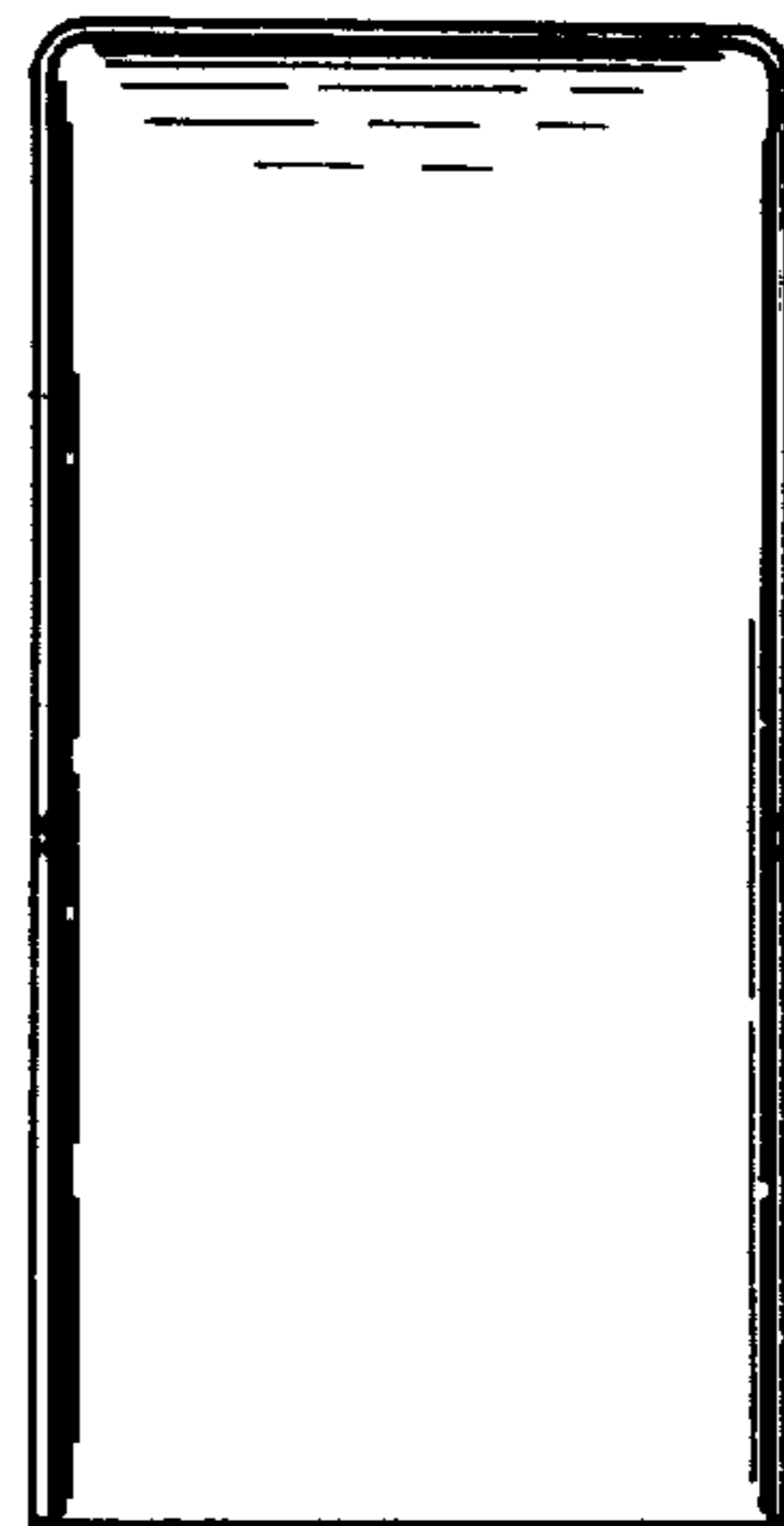
**DESCRIPTION**

FIG. 1 is a perspective view of a transparent armrest cover or similar of this invention; FIG. 2 is an end elevational view of the armrest cover or similar of this invention; and FIG. 3 is a side elevational view of the armrest cover or similar of this invention.

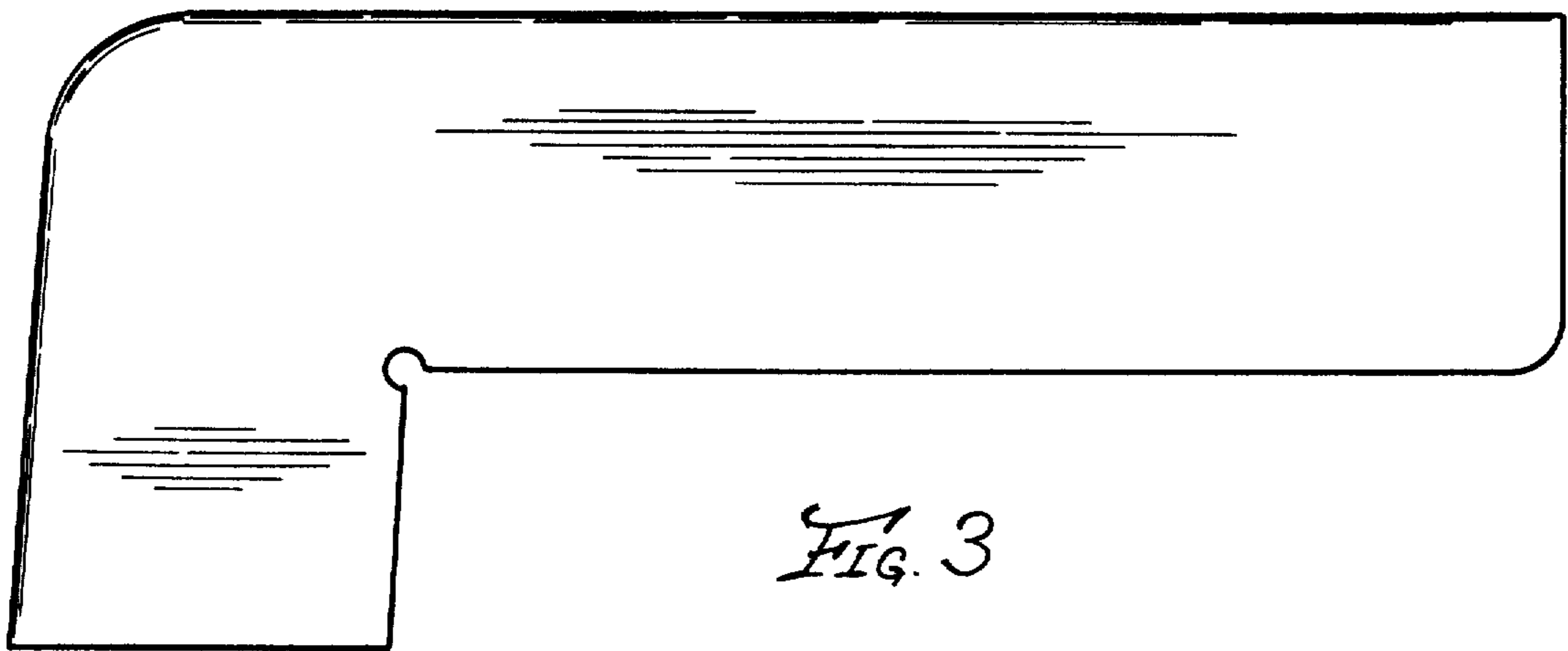




*FIG. 1*



*FIG. 2*



*FIG. 3*