

[54] SUNGLASS RACK  
[76] Inventors: **George Weisenfeld**, 11920 Briarvale Lane; **David Halpern**, 11301 Dona Isabel Drive, both of Studio City, Calif. 91604

3,884,357 5/1975 Bloch ..... 211/13  
3,891,092 6/1975 Surrette et al. .... 211/13  
D. 206,736 1/1967 Brown ..... D6/85

[\*\*] Term: 14 Years  
[21] Appl. No.: 625,268  
[22] Filed: Oct. 23, 1975

FOREIGN PATENT DOCUMENTS

962,004 5/1950 France ..... 211/13

Primary Examiner—Susie J. Mercer  
Assistant Examiner—Christine M. Nucker  
Attorney, Agent, or Firm—Marvin E. Jacobs

[51] Int. Cl. .... D20-02  
[52] U.S. Cl. .... D6/151  
[58] Field of Search ..... D6/85, 117, 118;  
D35/5 ST; 211/13

[57] CLAIM

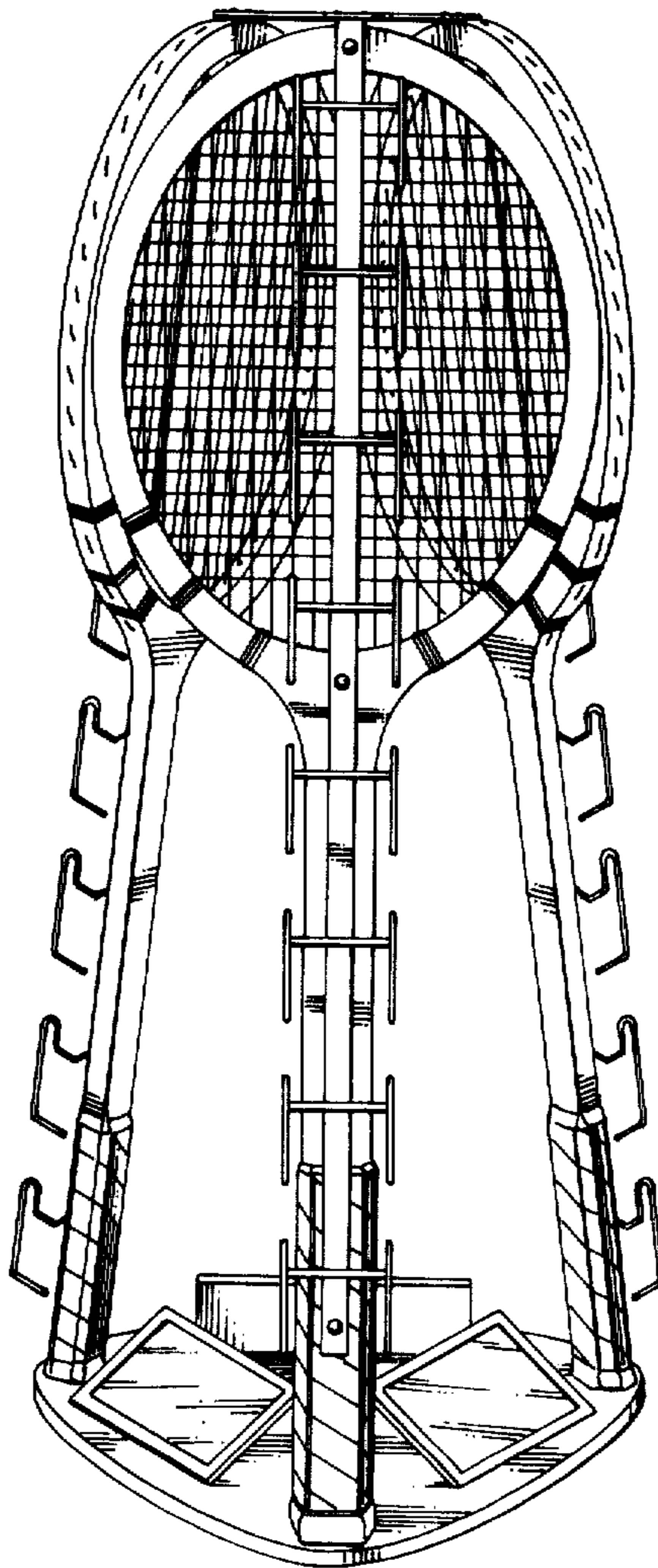
The ornamental design for a sunglass rack, substantially as shown.

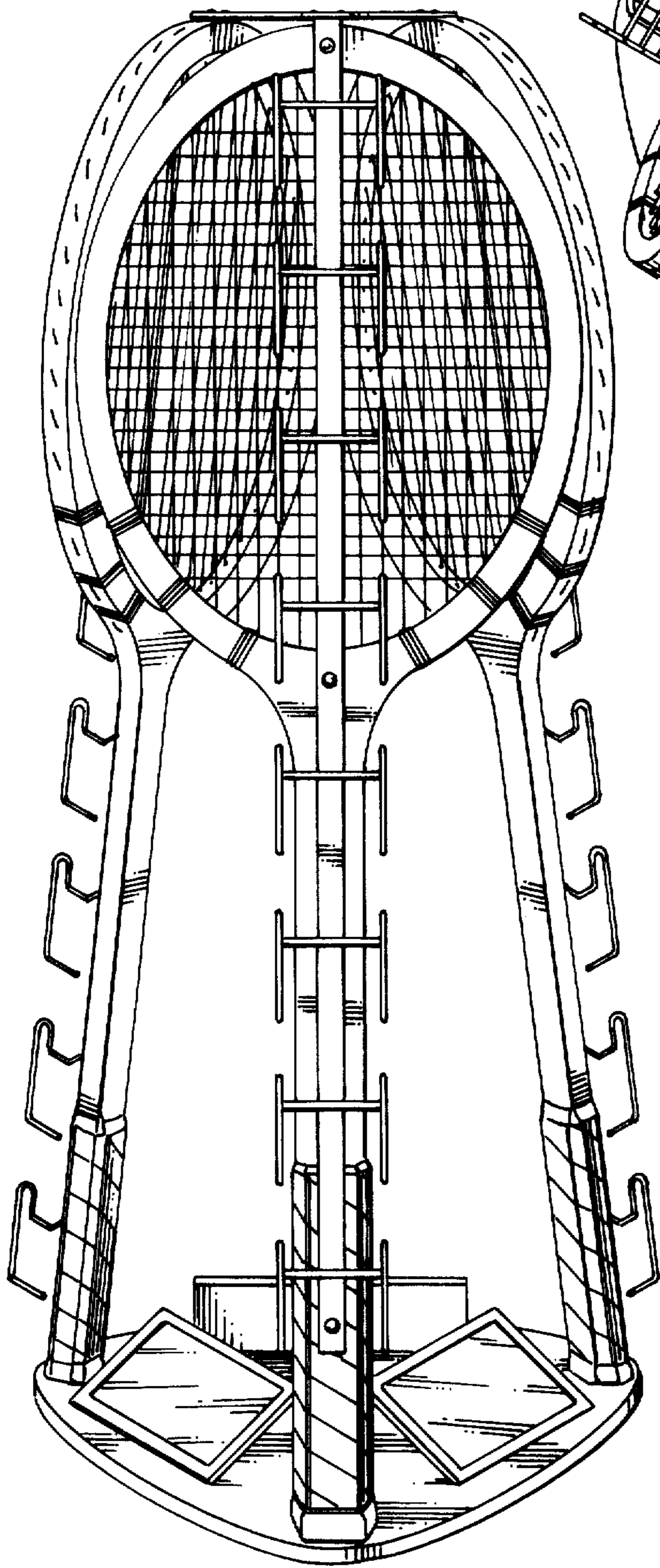
[56] References Cited  
U.S. PATENT DOCUMENTS

DESCRIPTION

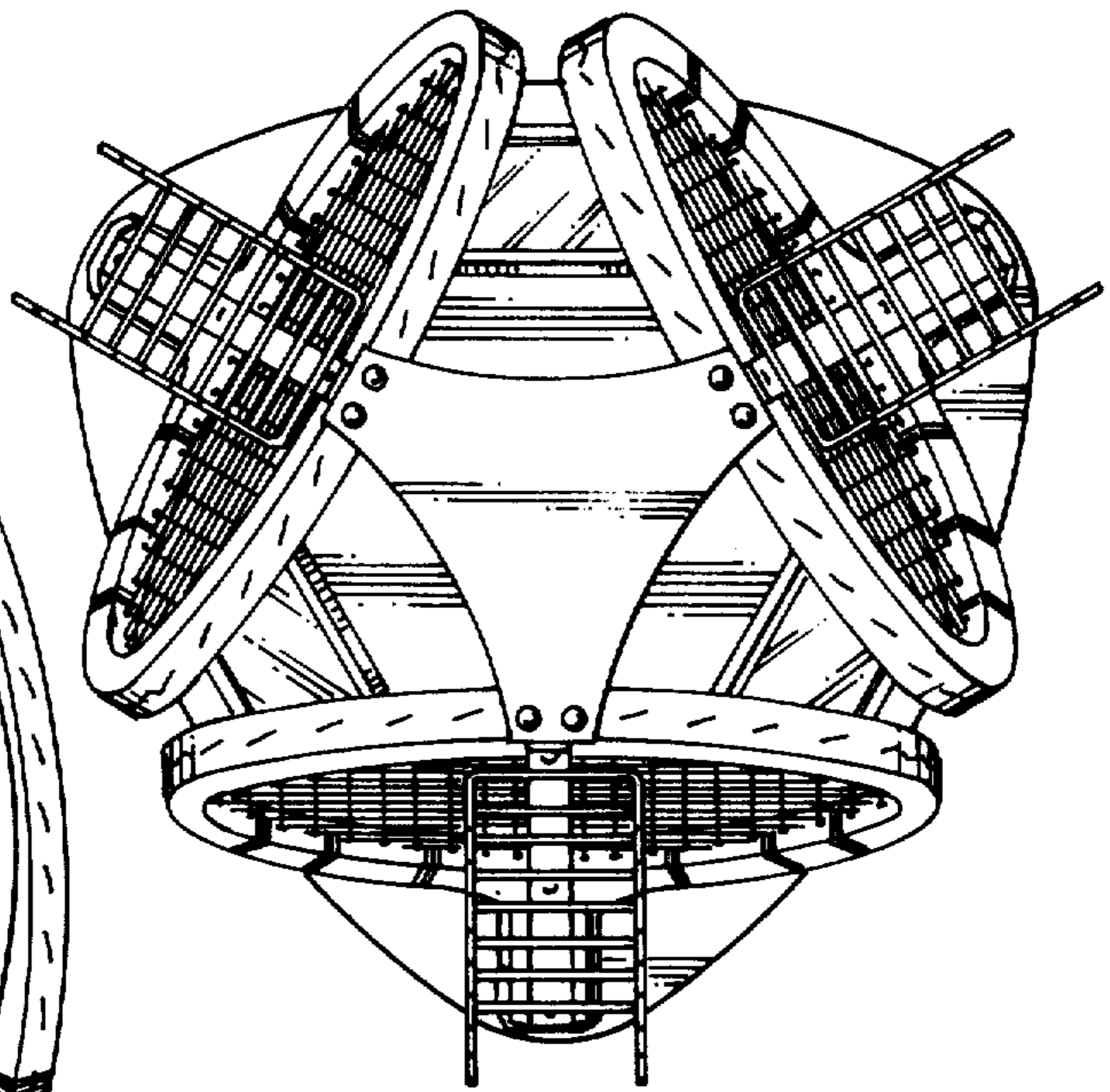
3,817,392 6/1974 Bloch ..... 211/13

FIG. 1 is a front perspective view of a sunglass rack showing my new design; and FIG. 2 is a top plan view thereof.





*Fig. 1*



*Fig. 2*