

[54] CHEVAL-GLASS

[75] Inventor: Ole Stig Ravn, Farum, Denmark

[73] Assignee: Stig Ravn A/S, Farum, Denmark

[**] Term: 14 Years

[21] Appl. No.: 573,302

[22] Filed: Apr. 30, 1975

[51] Int. Cl. D6-07

[52] U.S. Cl. D6/235

[58] Field of Search D61/1 S; D29/22, 23 R, D29/23 A; D6/232-246, 85, 102, 162, 123, 249, 252, 132, 134, 135; D13/6; 40/152, 6 S, 154, 158, 159, 219

[56] References Cited

U.S. PATENT DOCUMENTS

3,220,132	11/1965	Swiger et al.	40/152.1
D. 90,848	10/1933	Karl et al.	D6/29
D. 227,637	7/1973	Rust et al.	D6/29
D. 229,469	12/1973	Firdmann	D6/237

OTHER PUBLICATIONS

Burke and James Catalog, June 1962, p. 144, Inspection Assembly Magnifier at center of page.

Primary Examiner—Joel Stearman
Assistant Examiner—C. A. Rademaker

[57] CLAIM

The ornamental design for a cheval-glass, as shown and described.

DESCRIPTION

FIG. 1 is a front perspective view of a cheval-glass in accordance with the design of the present invention.

FIG. 2 is a front perspective view of the embodiment illustrated in FIG. 1 with the mirror member rotated by 180 degrees.

FIG. 3 is a top perspective view of the mirror member with the base member being omitted for ease of illustration.

FIG. 4 is a bottom perspective view of the mirror member illustrated in FIG. 3.

FIG. 5 is a top perspective view of the base member, with the mirror member being omitted for ease of illustration.

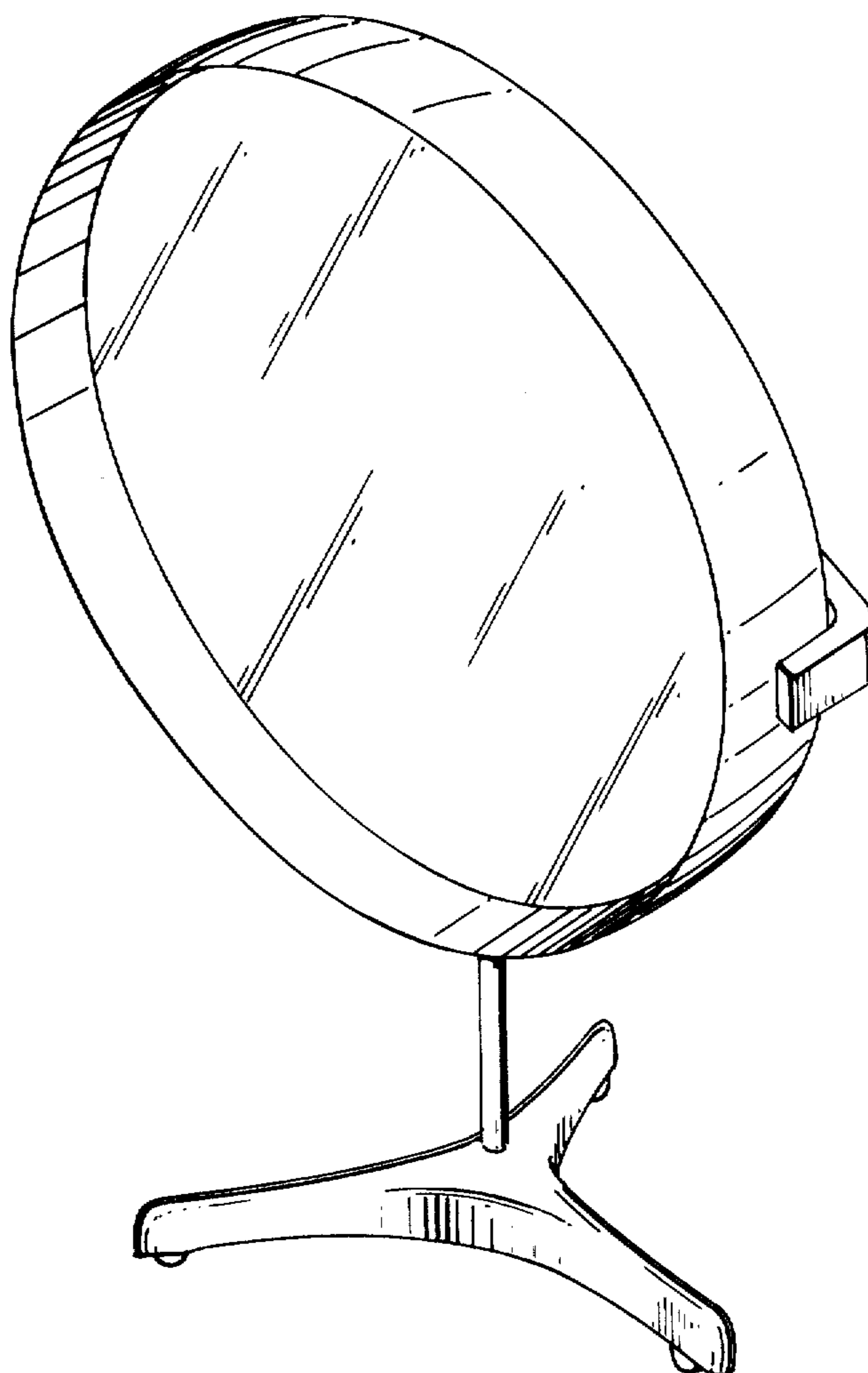


FIG. 1

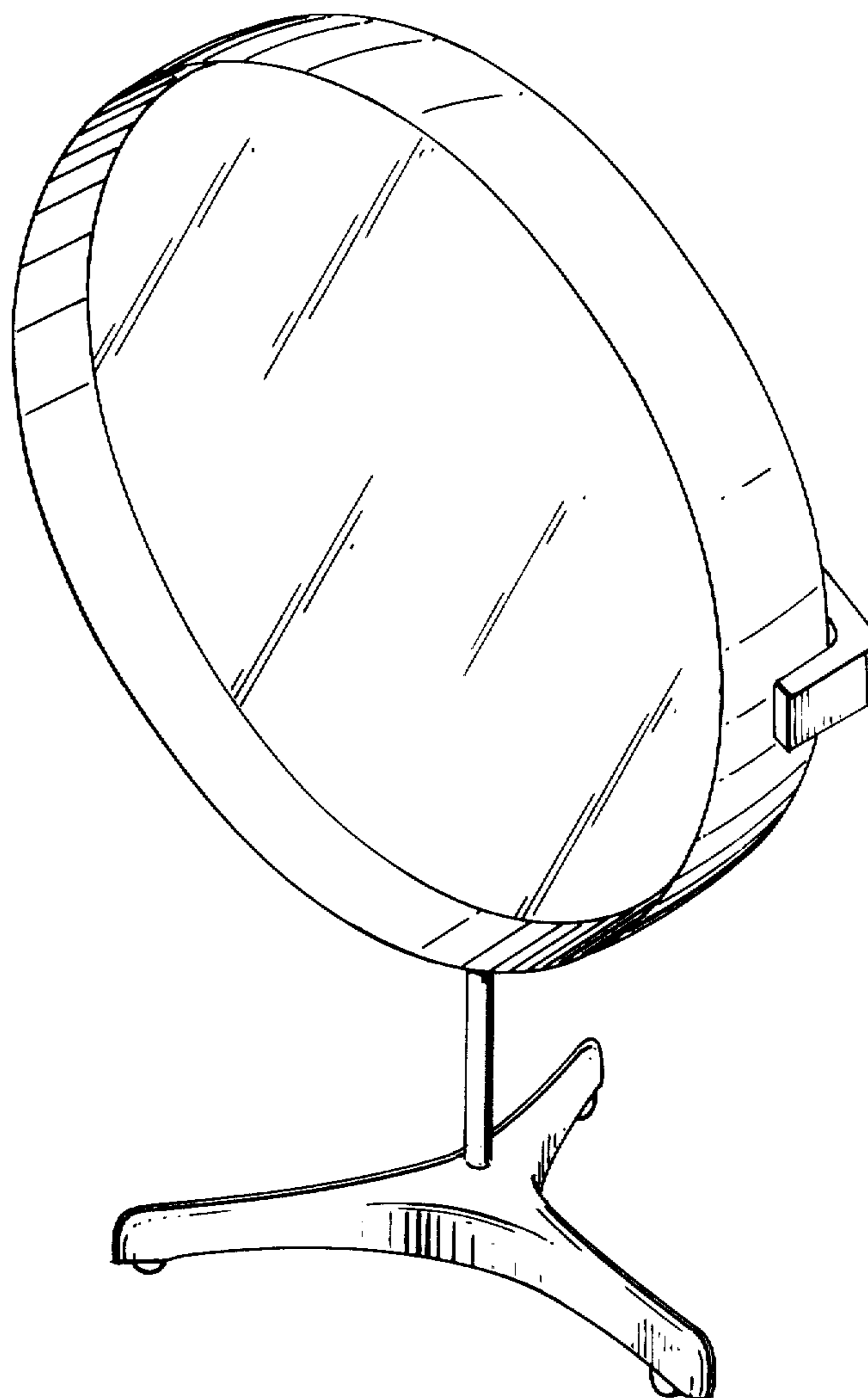
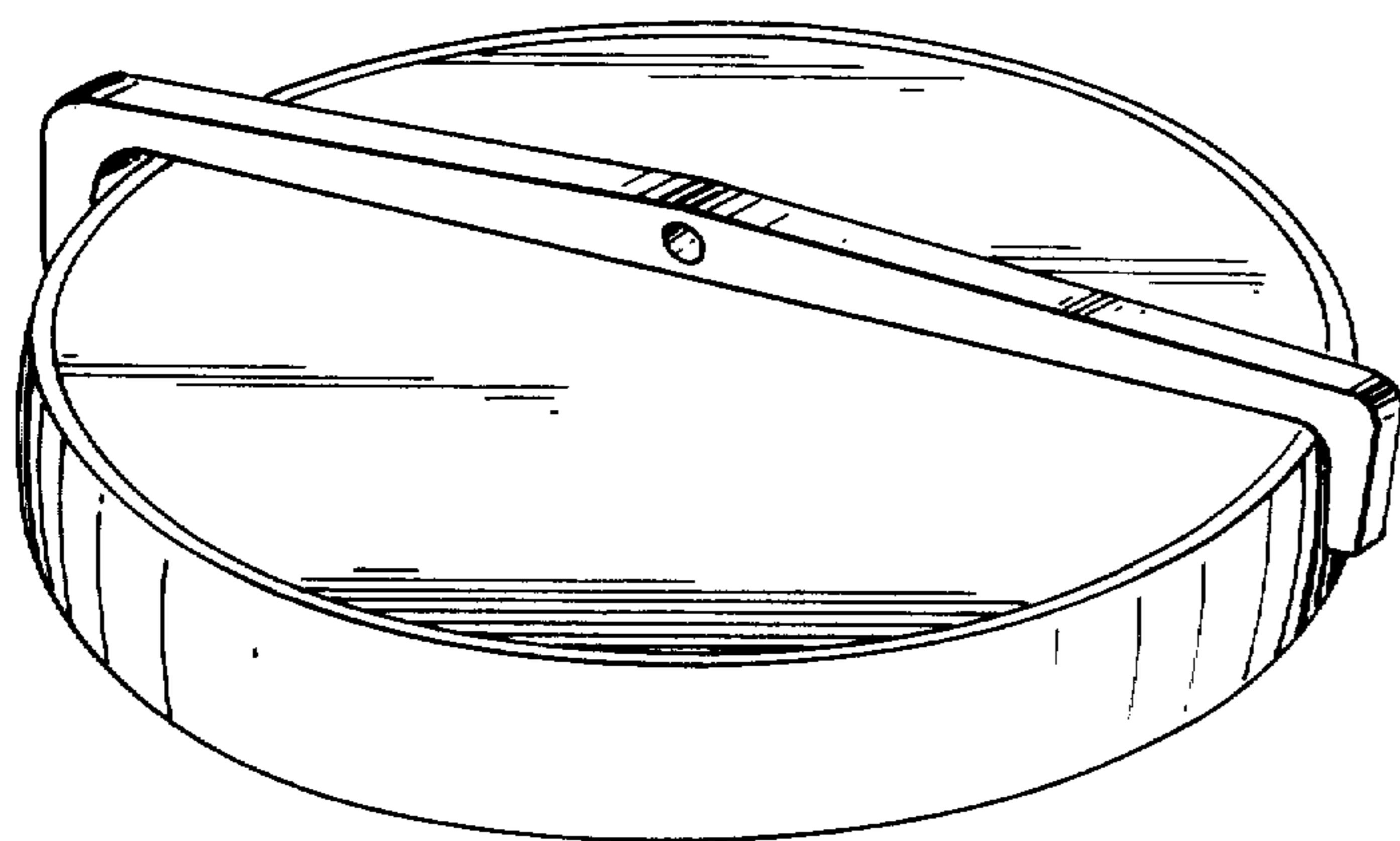


FIG. 3



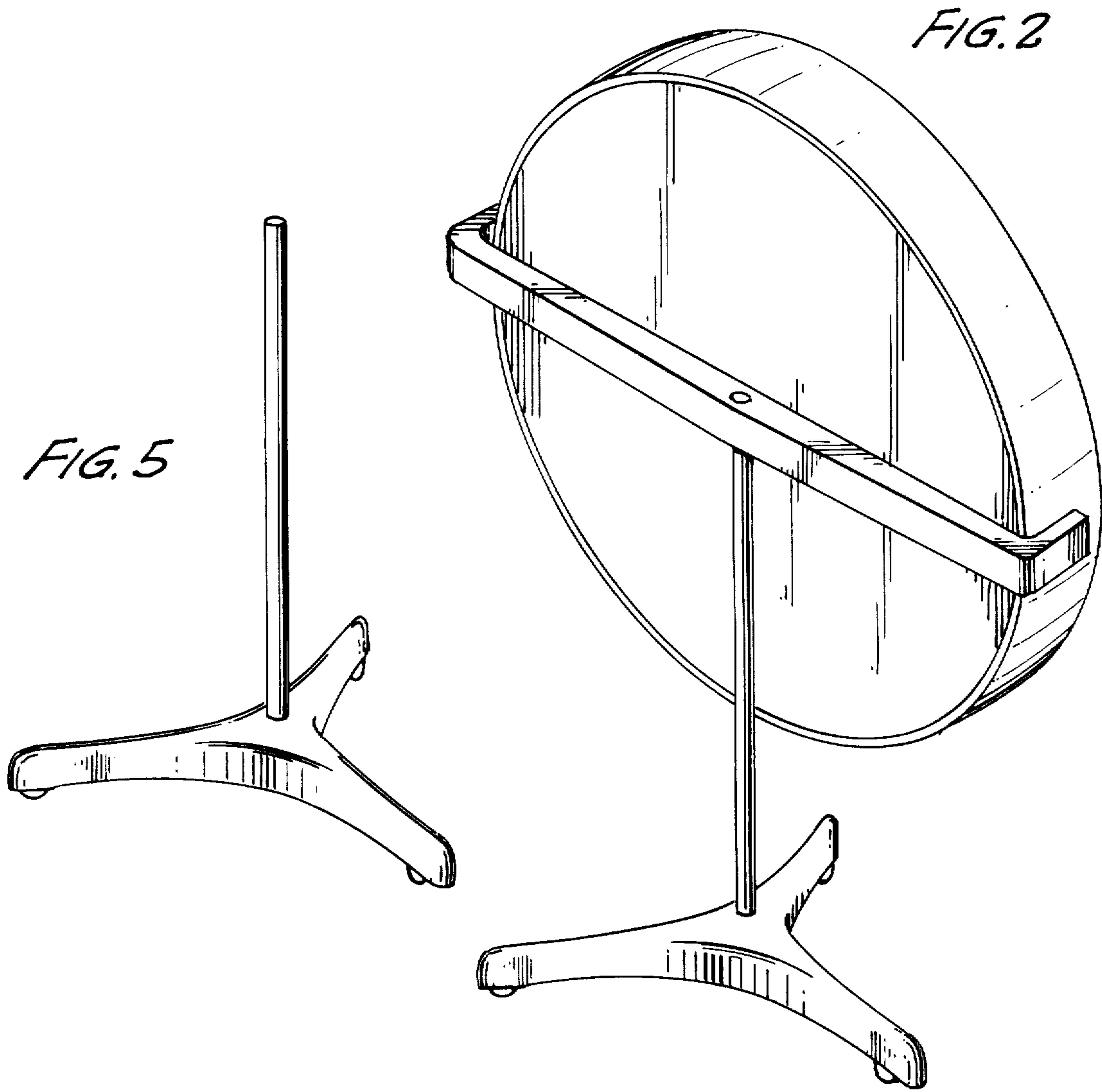


FIG. 4

