

[54] HAND POWERED TUFTING MACHINE

[75] Inventors: Fred A. Thaheld; Fred H. Thaheld, both of Minden, Nev.

[73] Assignee: Rumpelstiltskin's Craft Shop, Inc.

[\*\*] Term: 14 Years

[21] Appl. No.: 590,323

[22] Filed: June 25, 1975

[51] Int. Cl. .... D15-06

[52] U.S. Cl. .... D3/19 R

[58] Field of Search ..... D3/19 R, 19 A; D70/1; 112/80; D47/5; D92/15; D7/157, 103

[56] References Cited

U.S. PATENT DOCUMENTS

1,798,224	1/1931	Edlund	.....	D7/157
2,578,038	12/1951	Bolger	.....	112/80

2,635,567	4/1953	Drake	.....	112/80
D. 151,312	10/1948	Zimmer	.....	D7/157

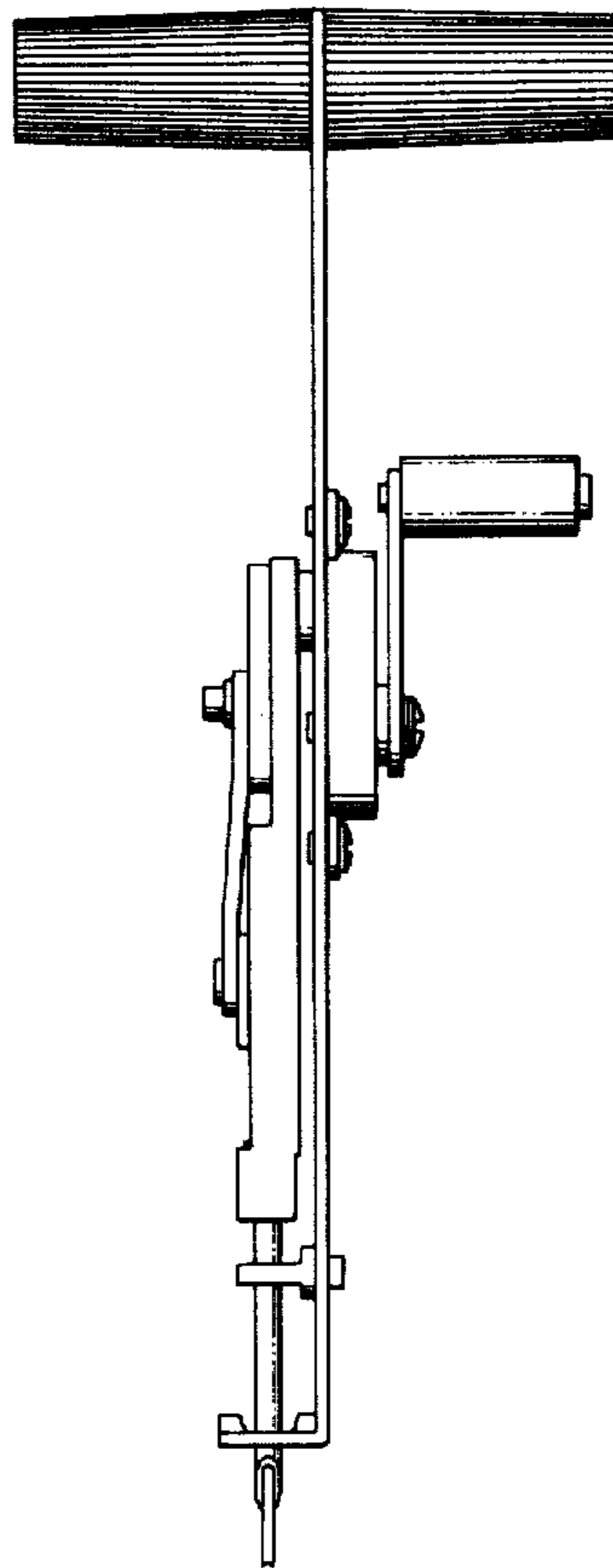
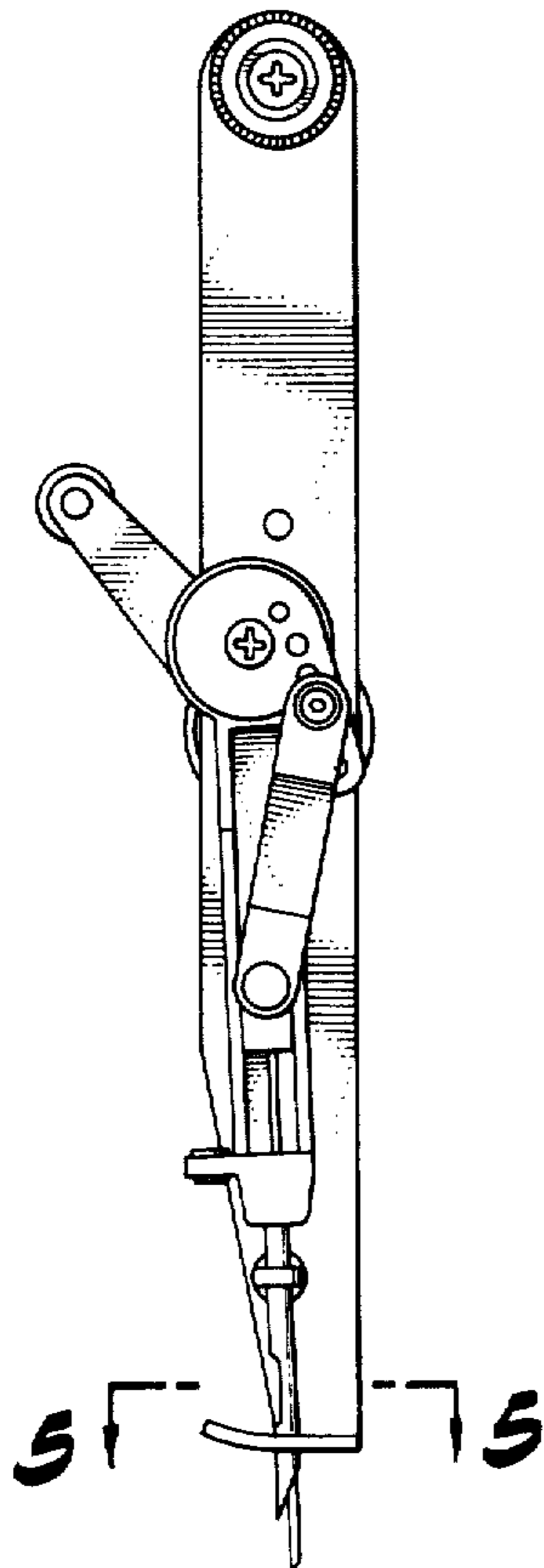
Primary Examiner—Joel Stearman  
Assistant Examiner—Josephine Lloyd  
Attorney, Agent, or Firm—John B. Young

[57] CLAIM

The ornamental design for hand-powered tufting machine, substantially as shown and described.

DESCRIPTION

FIG. 1 is a front elevational view of a hand powered tufting machine showing my new design; FIG. 2 is a side elevational view; FIG. 3 is a rear elevational view; FIG. 4 is a side elevational view; and FIG. 5 is a sectional plan view taken along lines 5—5 as shown in FIG. 1.



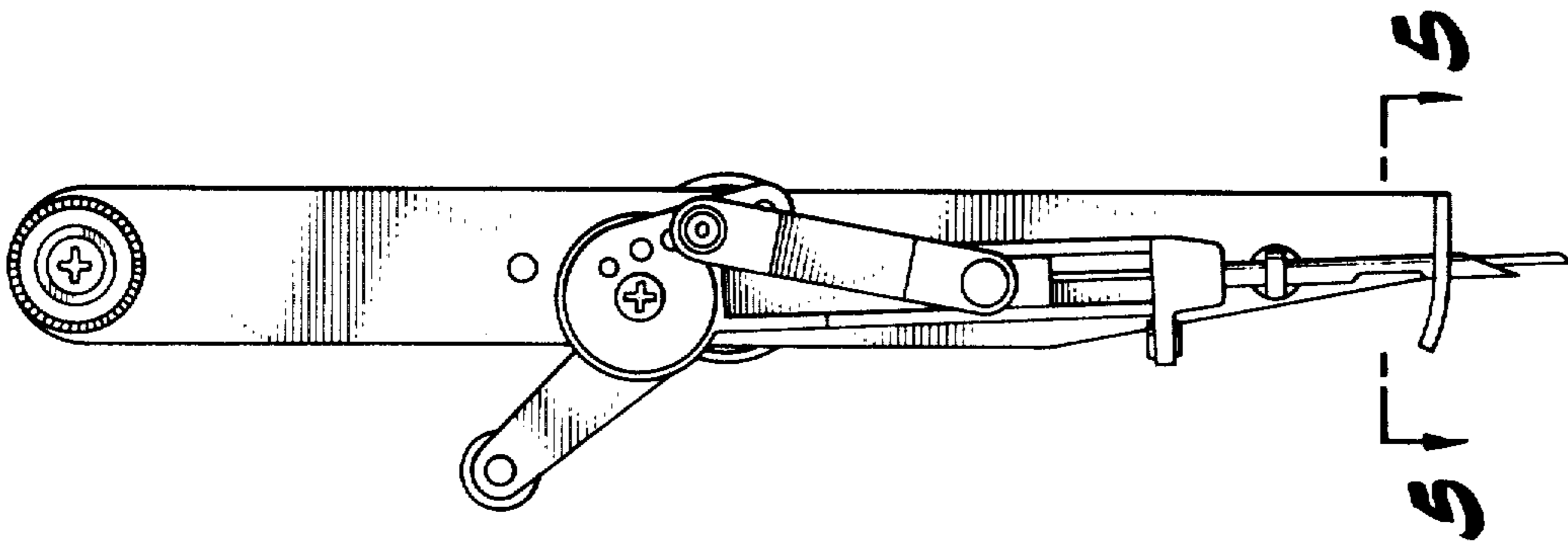


FIG. 1.

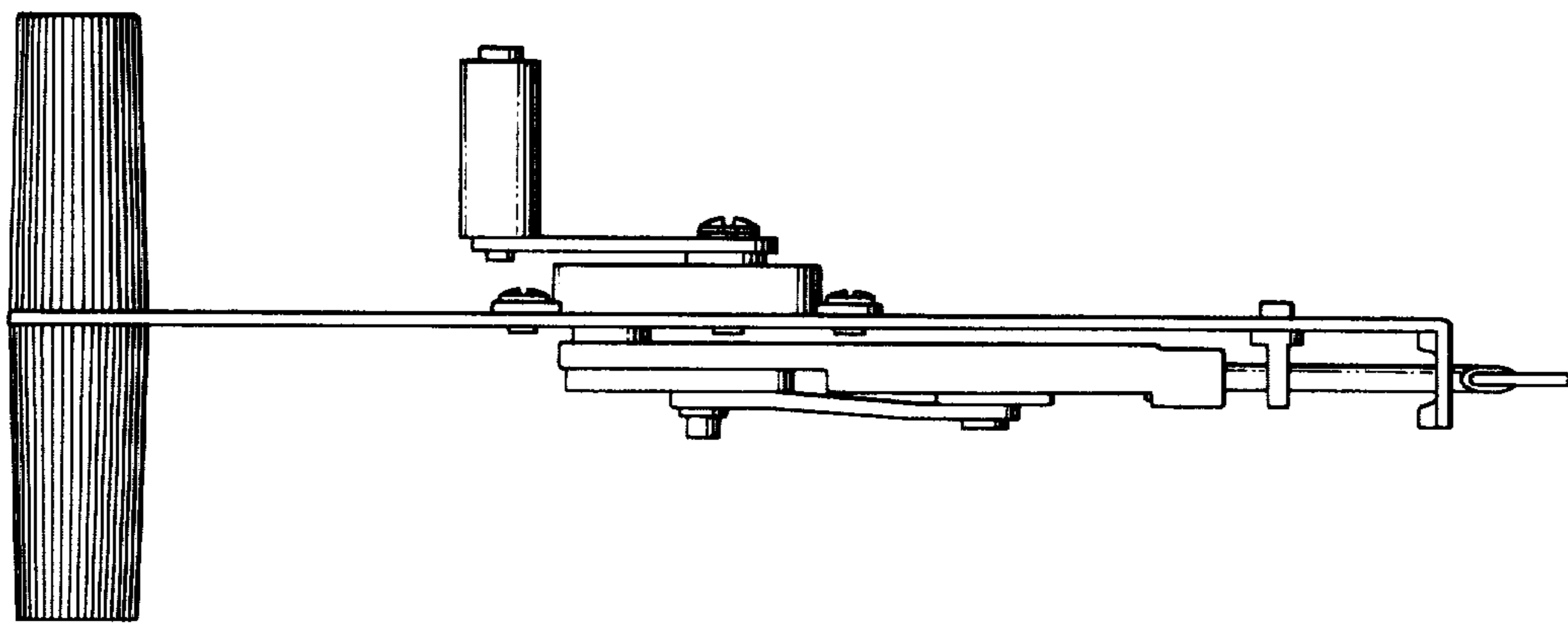


FIG. 2.

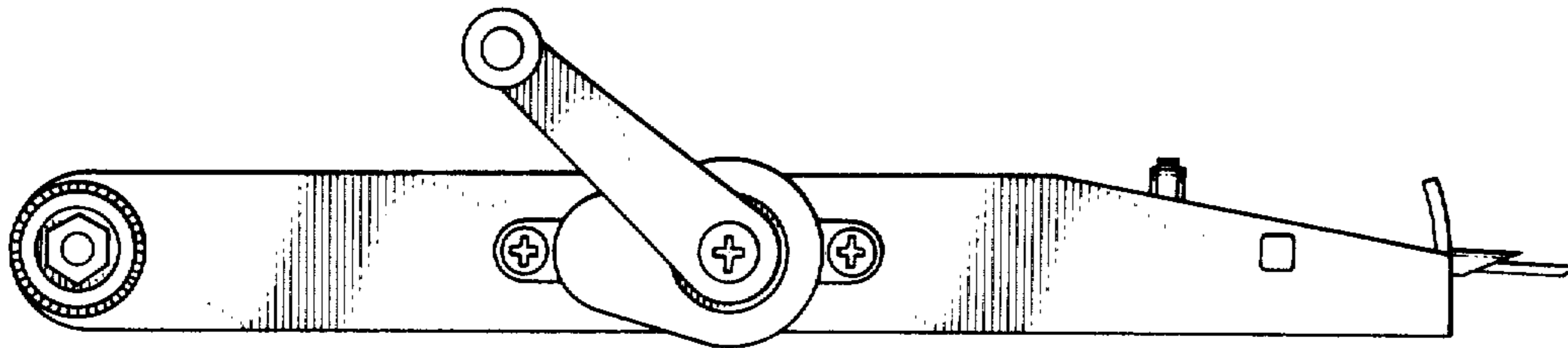


FIG. 3.



FIG. 5.

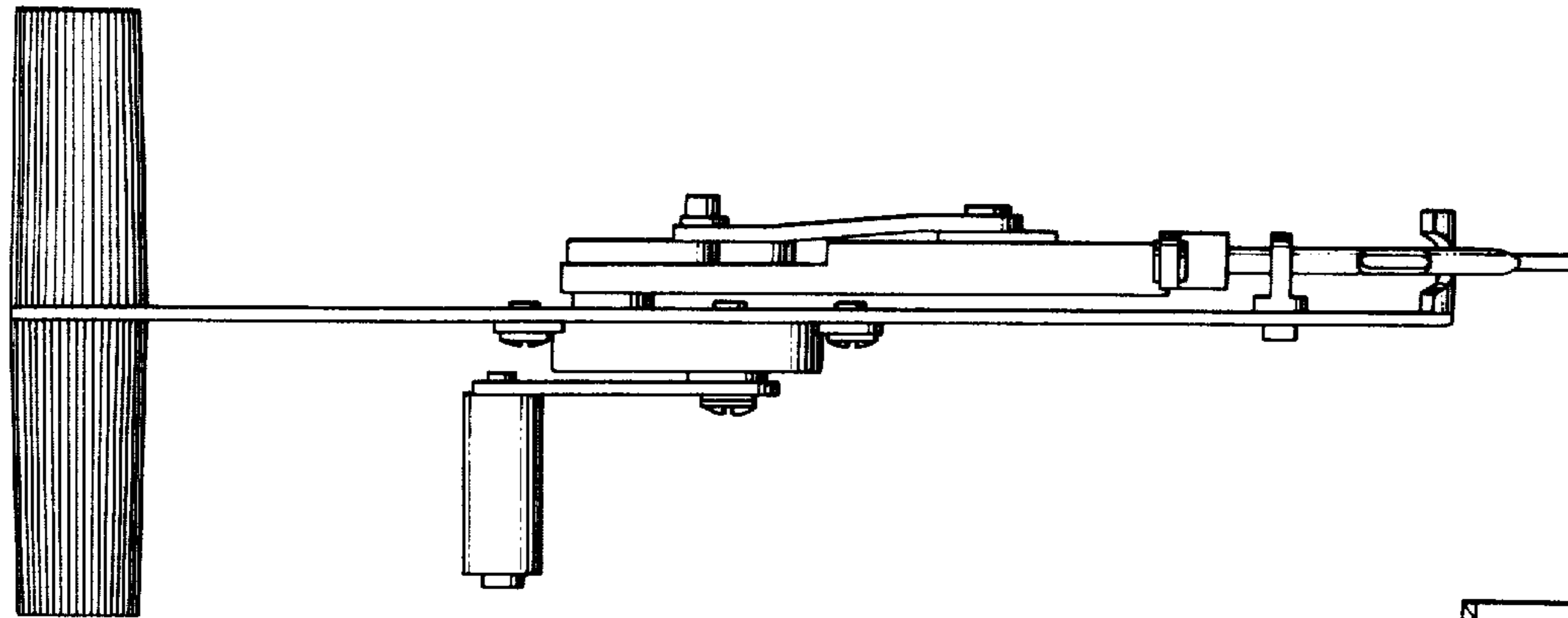


FIG. 4.