

[54] **DISINFECTING APPARATUS FOR HYDROPHILIC CONTACT LENSES**

[75] Inventor: Paul A. Hoogesteger, Penfield, N.Y.

[73] Assignee: Bausch & Lomb Incorporated, Rochester, N.Y.

[\*\*] Term: 14 Years

[21] Appl. No.: 597,126

[22] Filed: July 18, 1975

[51] Int. Cl. .... D24-02

[52] U.S. Cl. .... D83/1 W

[58] Field of Search ..... D83/1 W; D49/11; D57/7; D26/14; 21/91, 102 R, 102 A

[56] **References Cited**

**U.S. PATENT DOCUMENTS**

D. 219,167 11/1970 Rissolo ..... D49/11

D. 224,234 7/1972 Rhodes ..... D26/14 A  
D. 237,282 10/1975 Rodgers ..... D26/14 R

*Primary Examiner*—Wallace R. Burke  
*Assistant Examiner*—Larry Jones  
*Attorney, Agent, or Firm*—Frank C. Parker

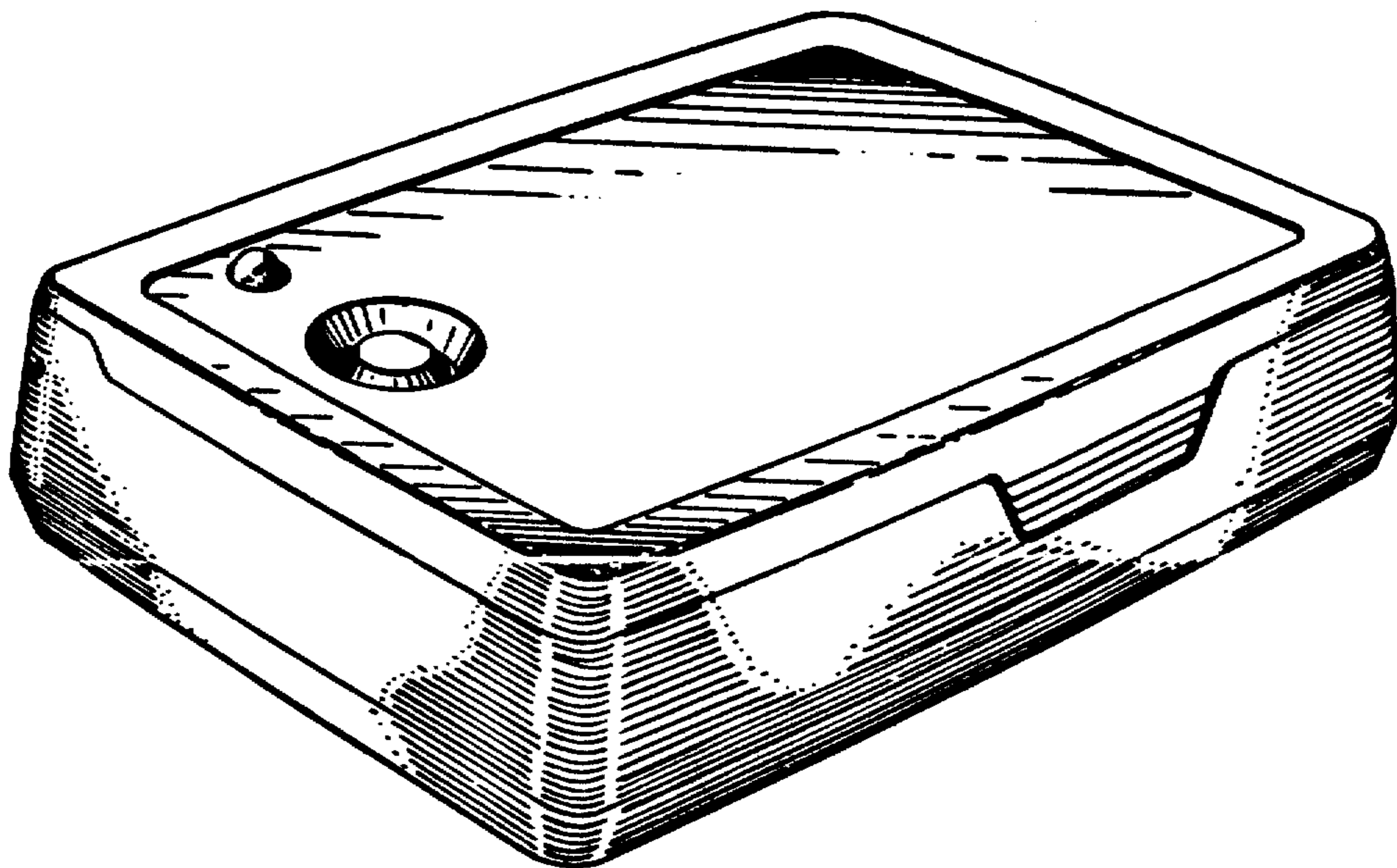
[57] **CLAIM**

The ornamental design for a disinfecting apparatus for hydrophilic contact lenses, substantially as shown and described.

**DESCRIPTION**

FIG. 1 is a perspective view of a disinfecting apparatus for hydrophilic contact lenses as viewed from the top left front and embodying the principles of my new design;

FIG. 2 is a perspective view thereof as viewed from the bottom right rear.



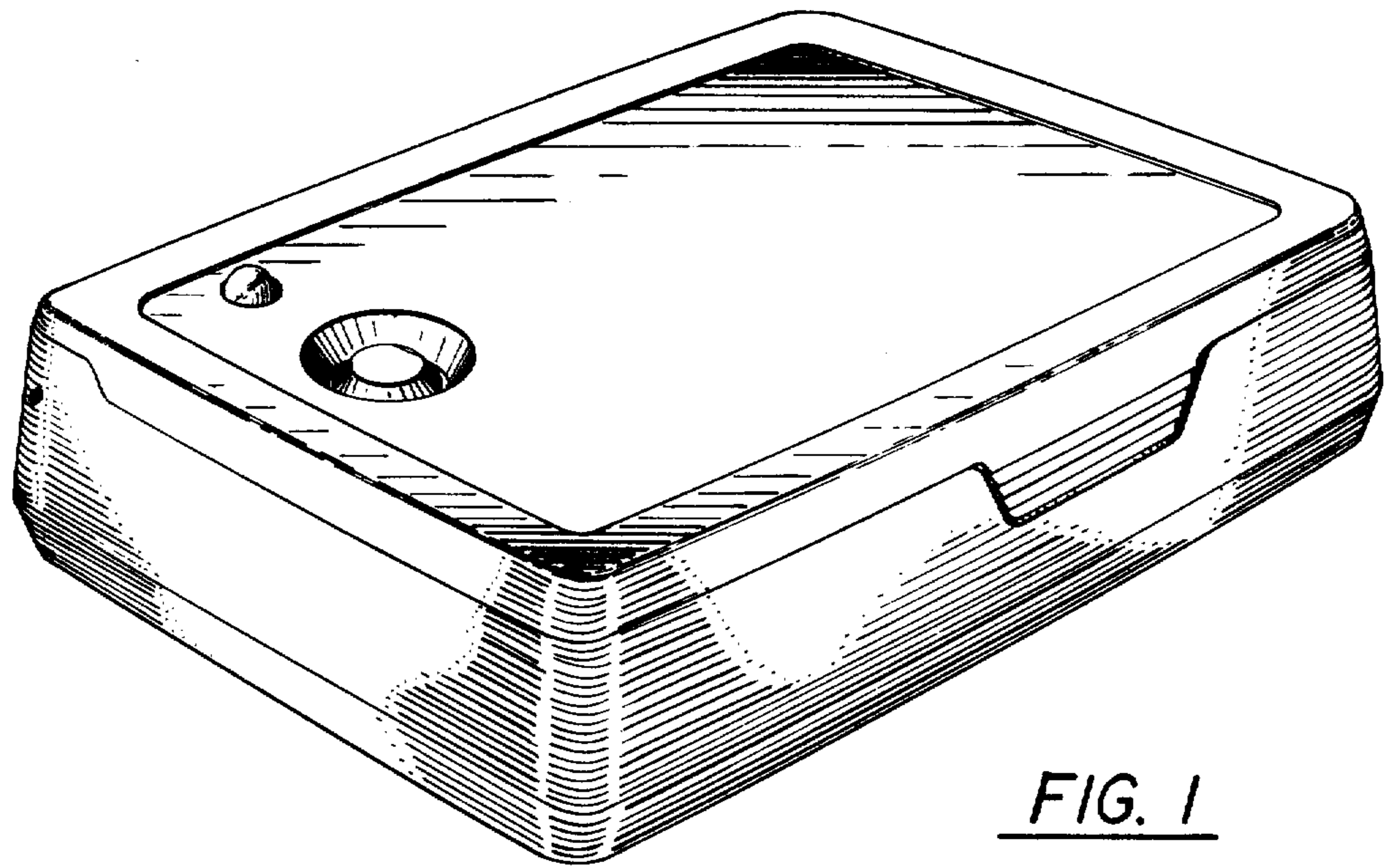


FIG. 1

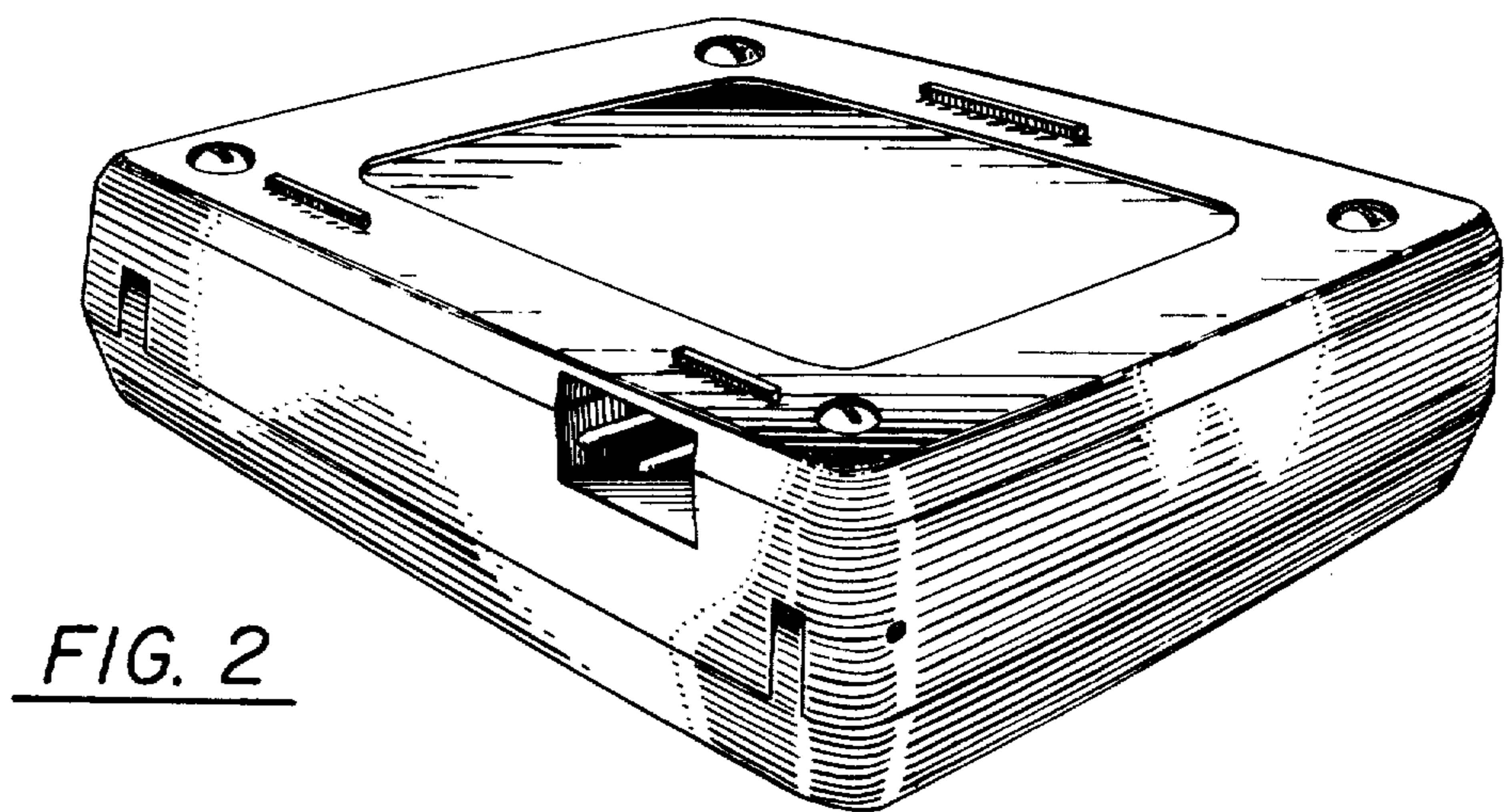


FIG. 2