

[54] **ORTHOPEDIC SURGICAL TABLE**
 [76] Inventor: **Robert Langren**, 3280 Sterling Ave.,
 Alameda, Calif. 94501
 [**] Term: **14 Years**
 [21] Appl. No.: **576,893**
 [22] Filed: **May 12, 1975**
 [51] Int. Cl. **D24—01**
 [52] U.S. Cl. **D83/1 D**
 [58] Field of Search D83/1 D, 1 E; 5/86;
 312/209, 285, 28, 223; 103/147; 269/324,
 328, 327, 325

D. 232,777 9/1974 Fortnam D83/1 E

Primary Examiner—Wallace R. Burke
Assistant Examiner—Larry Jones
Attorney, Agent, or Firm—Harris Zimmerman

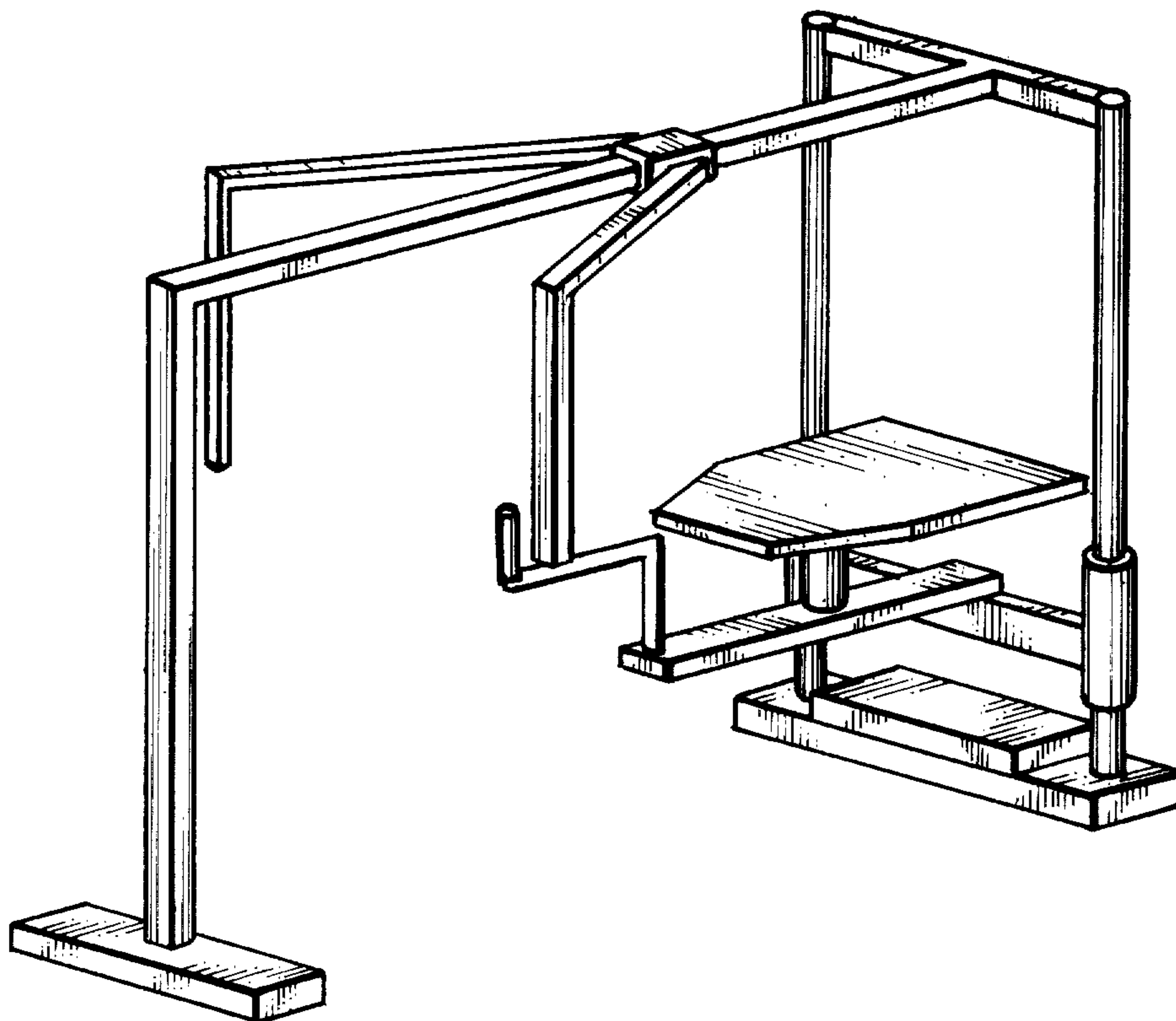
[57] **CLAIM**

The ornamental design for an orthopedic surgical table, substantially as shown.

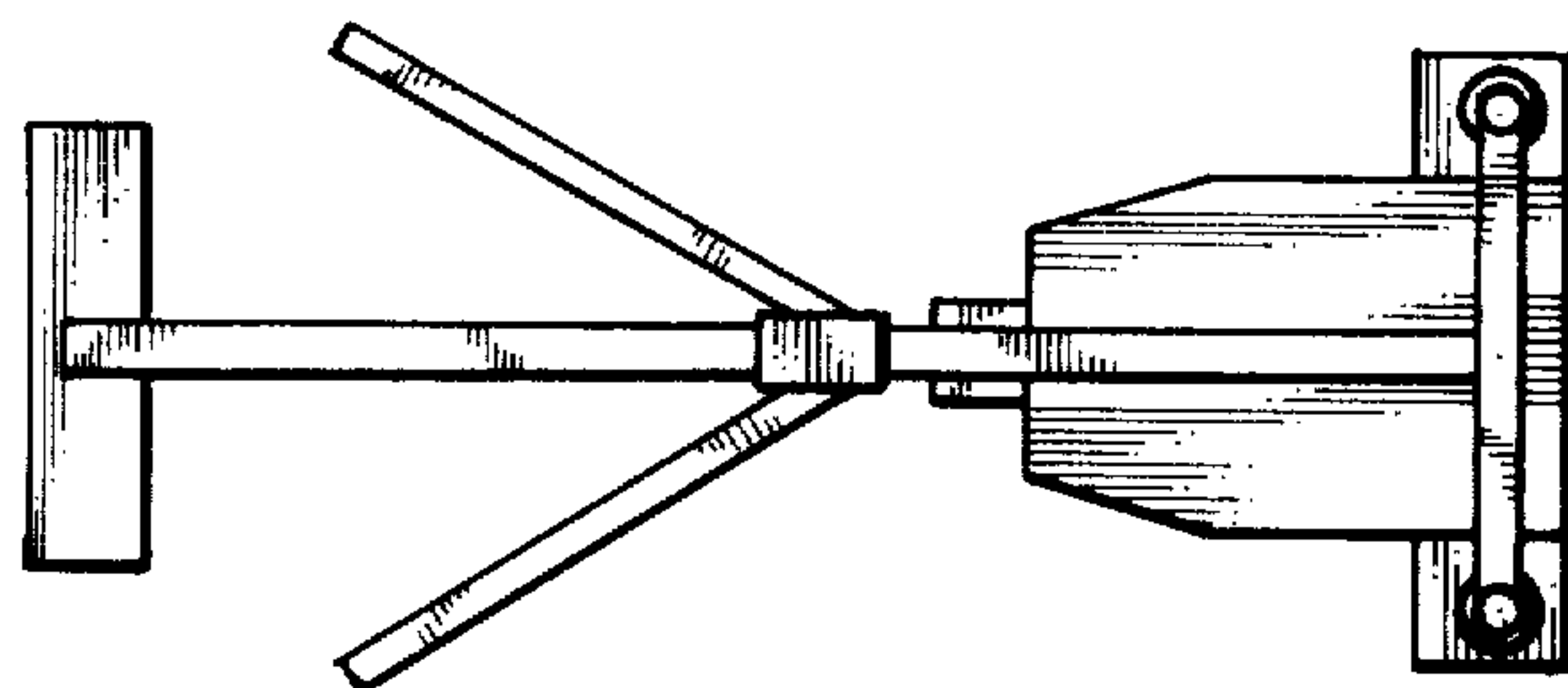
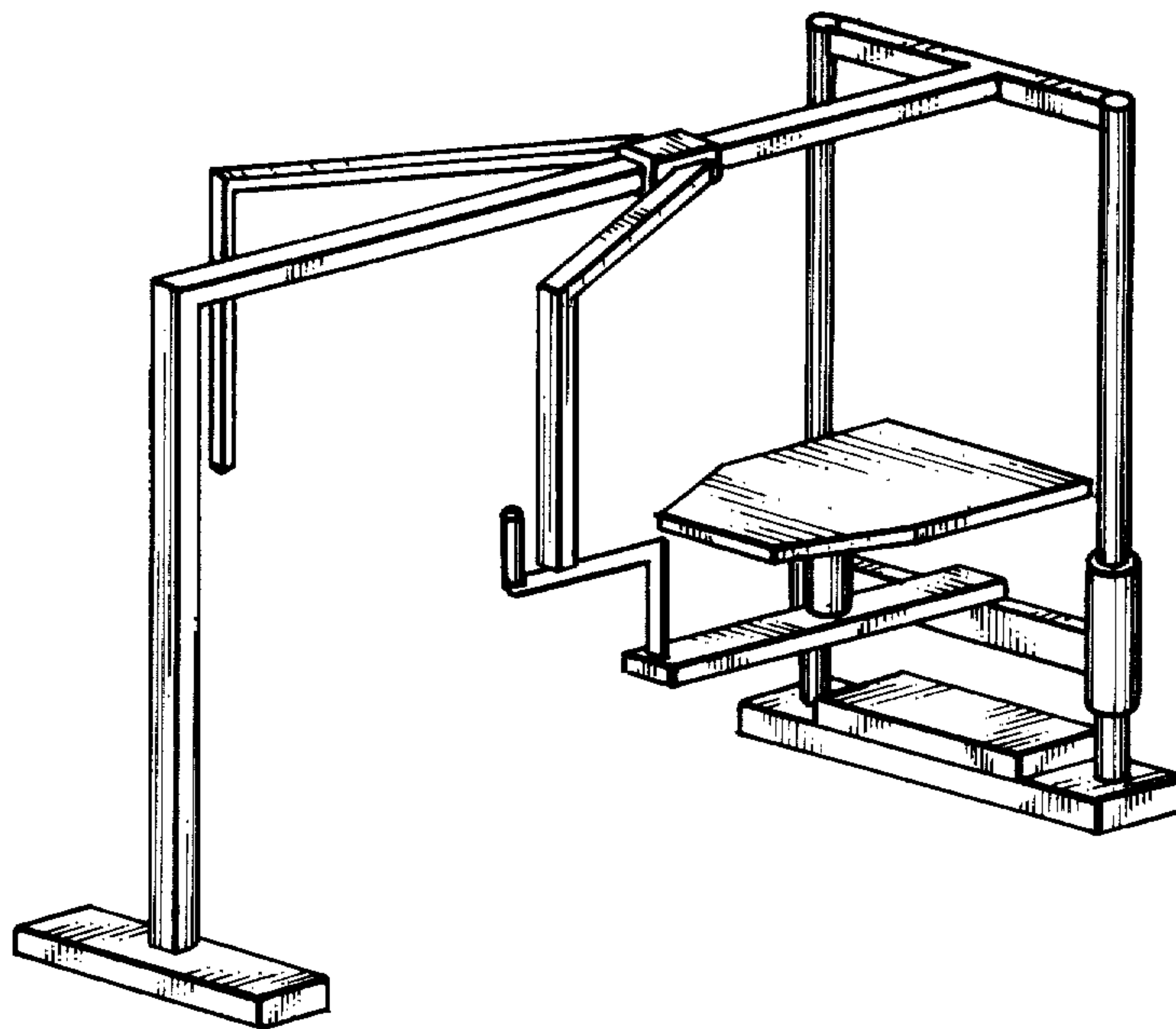
DESCRIPTION

FIG. 1 is a front perspective view of an orthopedic surgical table showing my new design;
 FIG. 2 is a side elevation thereof;
 FIG. 3 is a top plan view thereof;
 FIG. 4 is one end elevational view thereof;
 FIG. 5 is another end elevational view thereof; and
 FIG. 6 is a bottom plan view thereof.

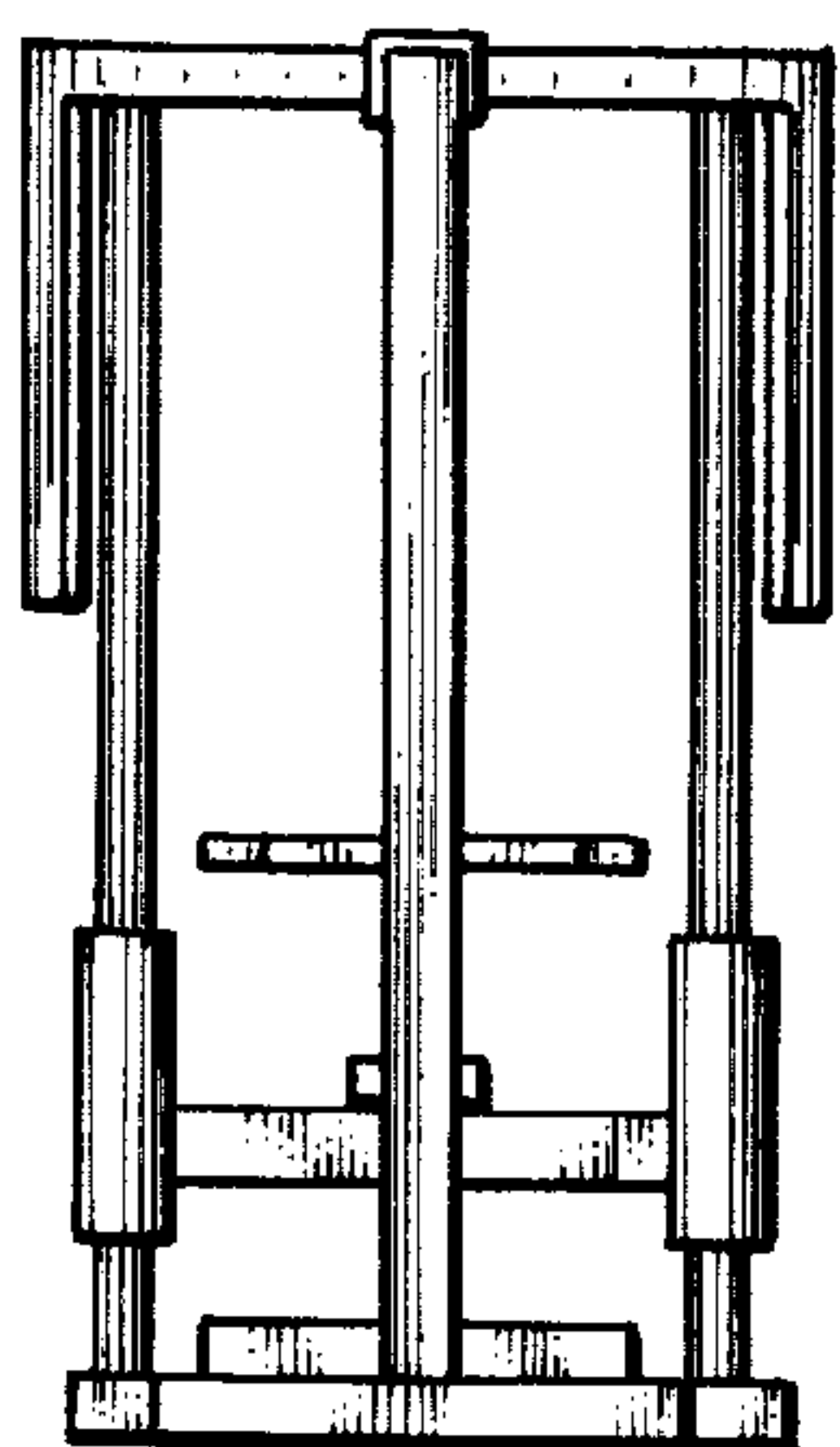
[56] **References Cited**
U.S. PATENT DOCUMENTS
 3,599,964 8/1971 Magni 269/328



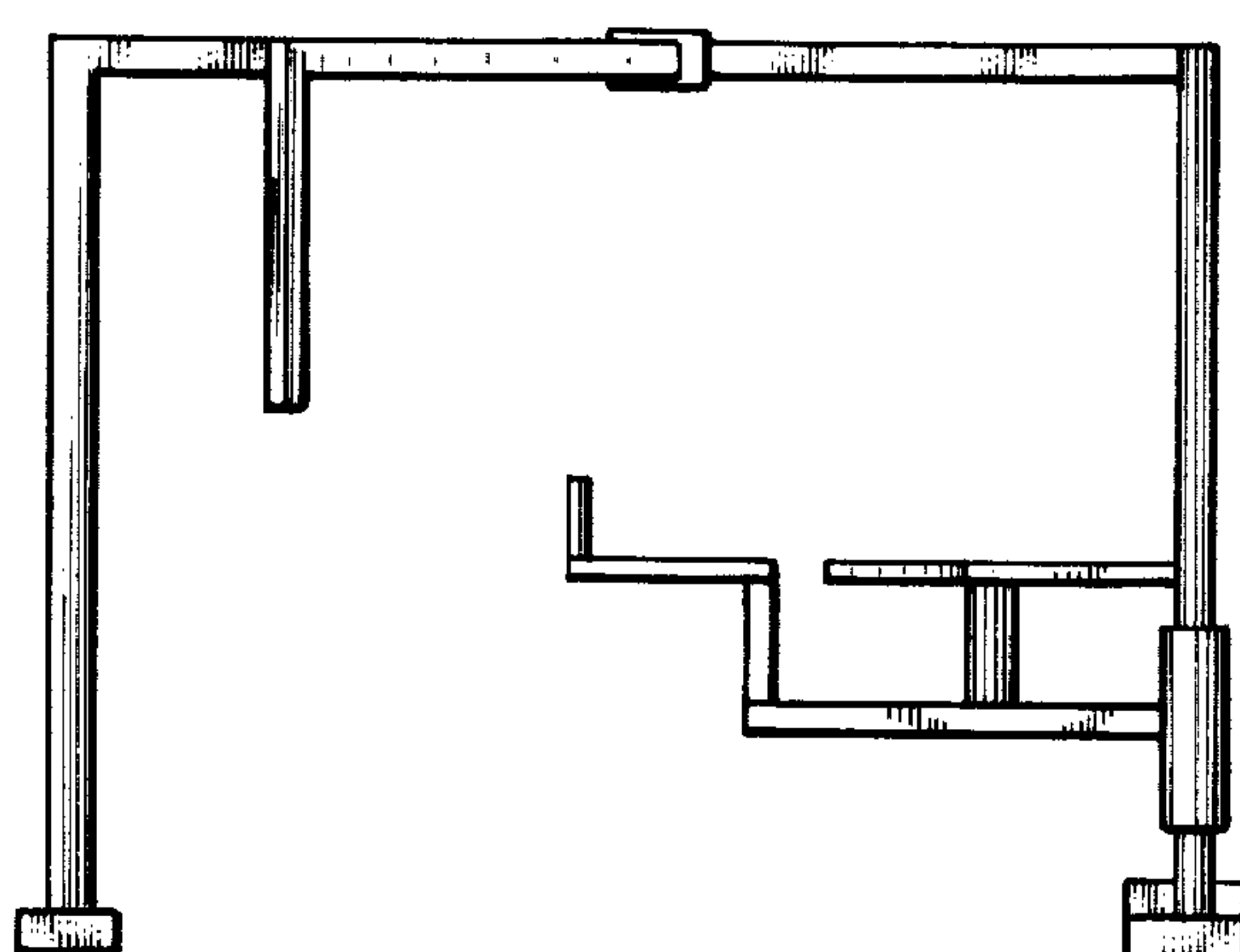
FIG_1



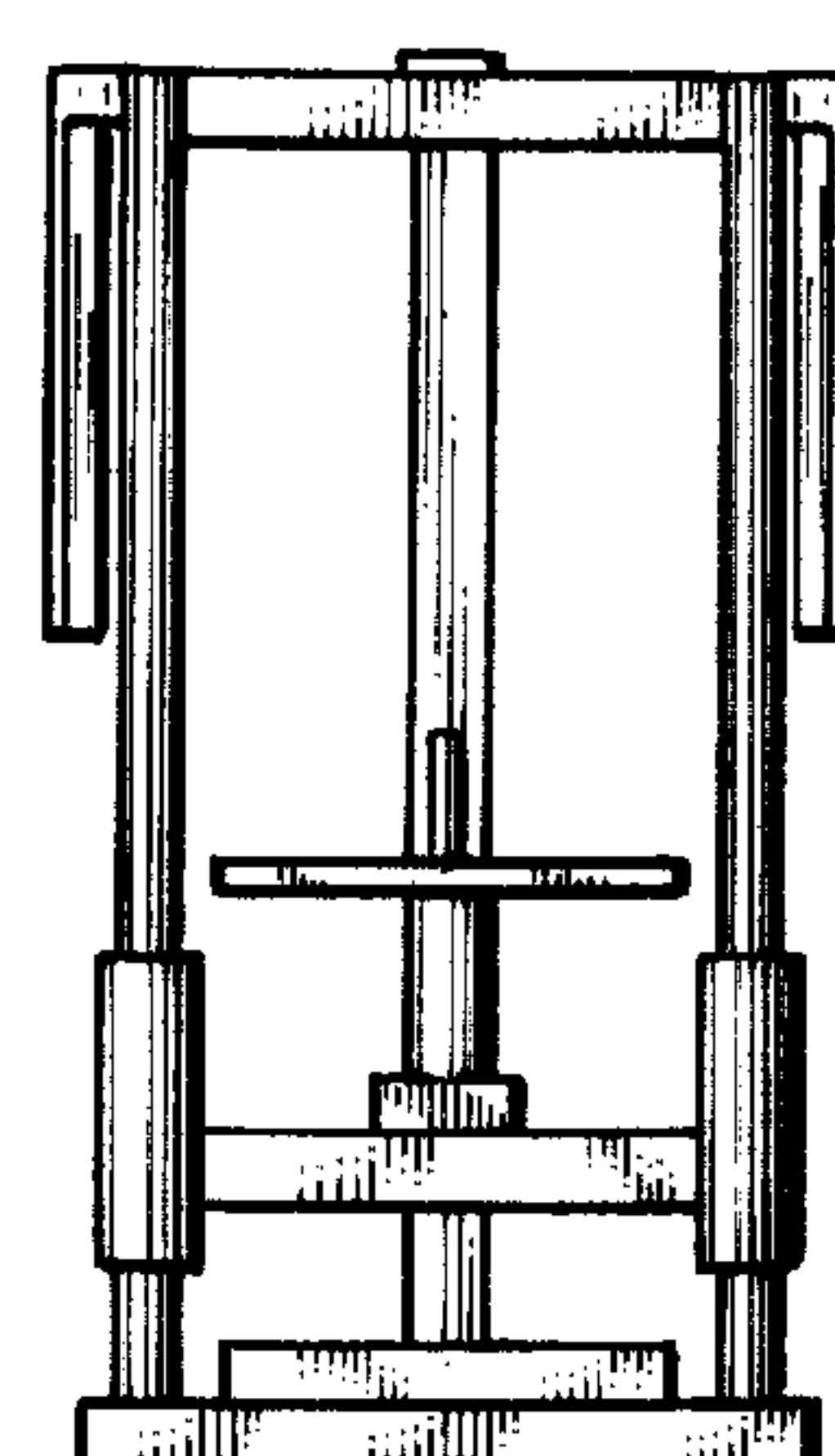
FIG_3



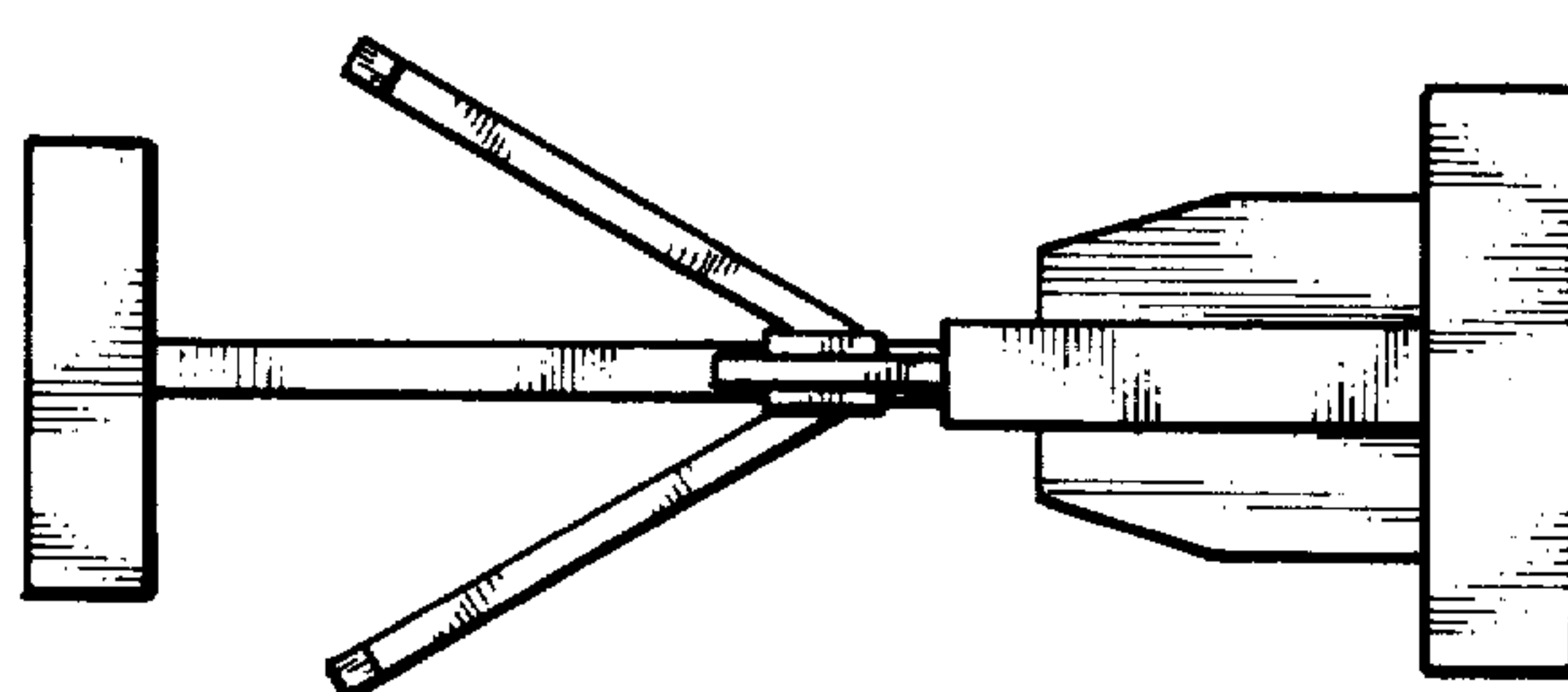
FIG_4



FIG_2



FIG_5



FIG_6