

[54] MEDICAL SUCTION INSTRUMENT TIP

[75] Inventor: Charles A. Lahay, Fayette, Ala.

[73] Assignee: Dart Industries Inc., Los Angeles, Calif.

[ \* ] Notice: The portion of the term of this patent subsequent to Oct. 19, 1990, has been disclaimed.

[\*\*] Term: 14 Years

[21] Appl. No.: 547,514

[22] Filed: Feb. 6, 1975

[51] Int. Cl. .... D24-99

[52] U.S. Cl. .... D83/12 A

[58] Field of Search ..... D23/34, 42, 41; D9/290, D9/275; 128/251, 348, 349 B, 276, 350 R, 350 V, 275; 32/33; D83/12 A, 12 R, 1 R; D24/1 D

[56]

References Cited

U.S. PATENT DOCUMENTS

3,421,510	1/1969	Kettenbach .....	128/350 R
3,528,427	9/1970	Sheridan .....	128/350 R
3,758,950	9/1973	Krouzian .....	32/33
D. 235,172	5/1975	Boone .....	D83/12 A

Primary Examiner—Bernard Ansher  
Attorney, Agent, or Firm—Leigh B. Taylor

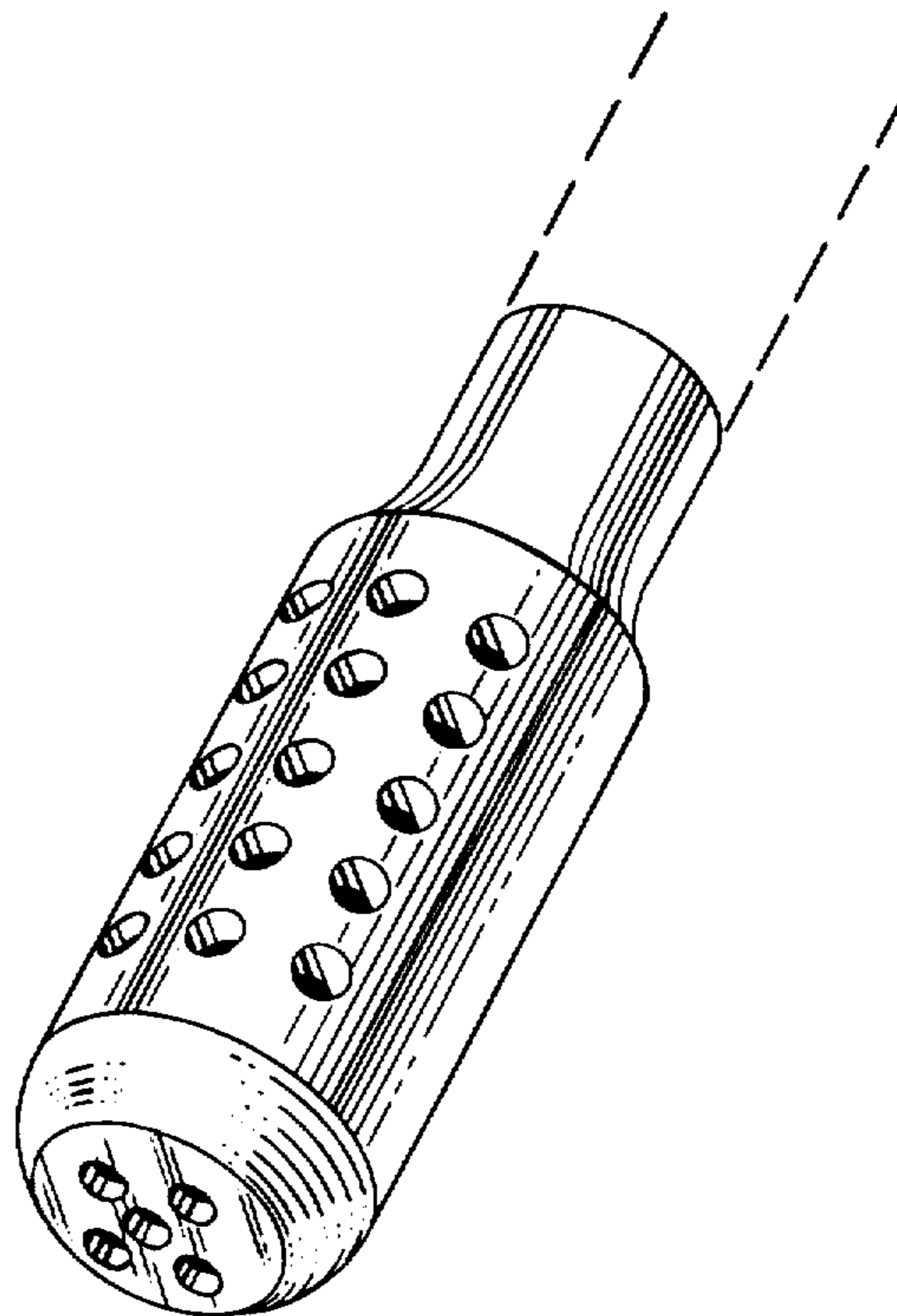
[57]

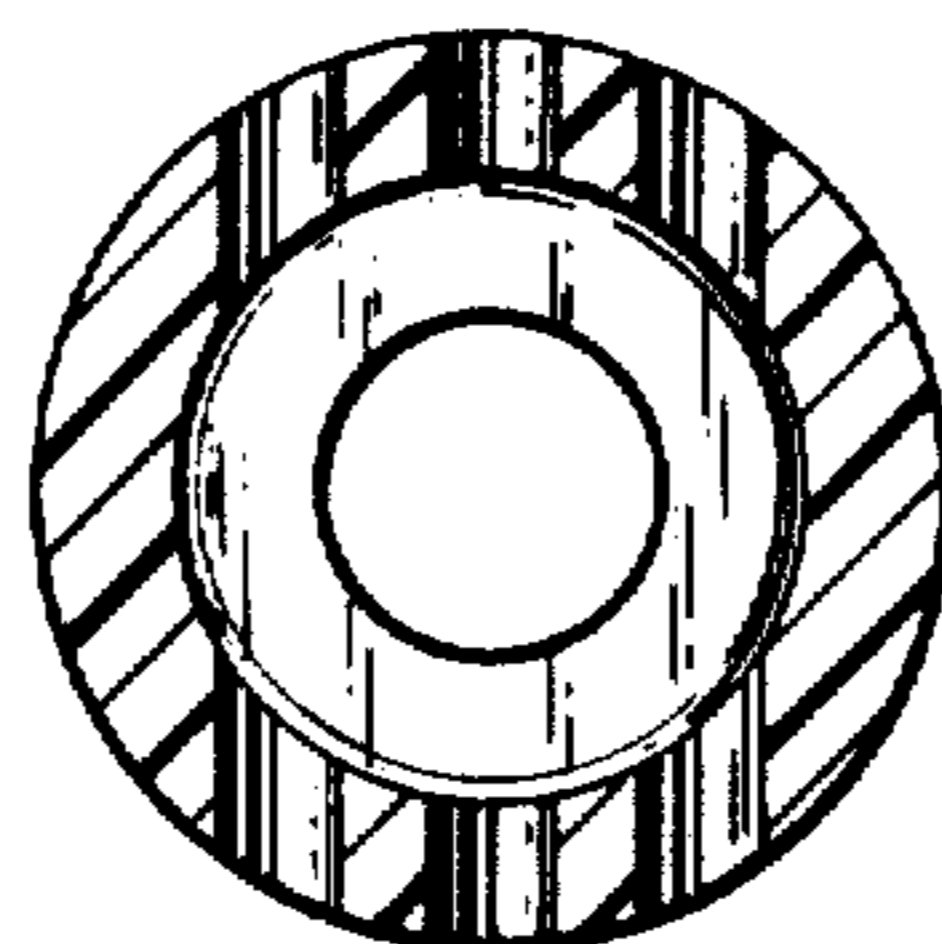
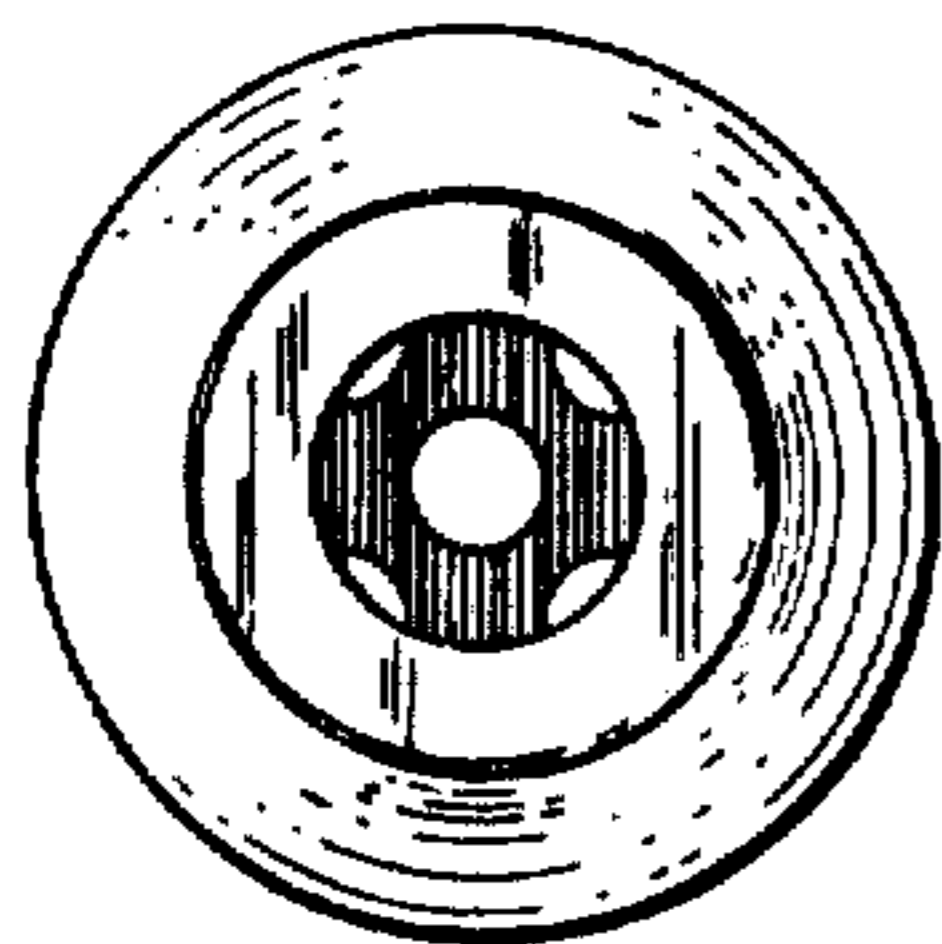
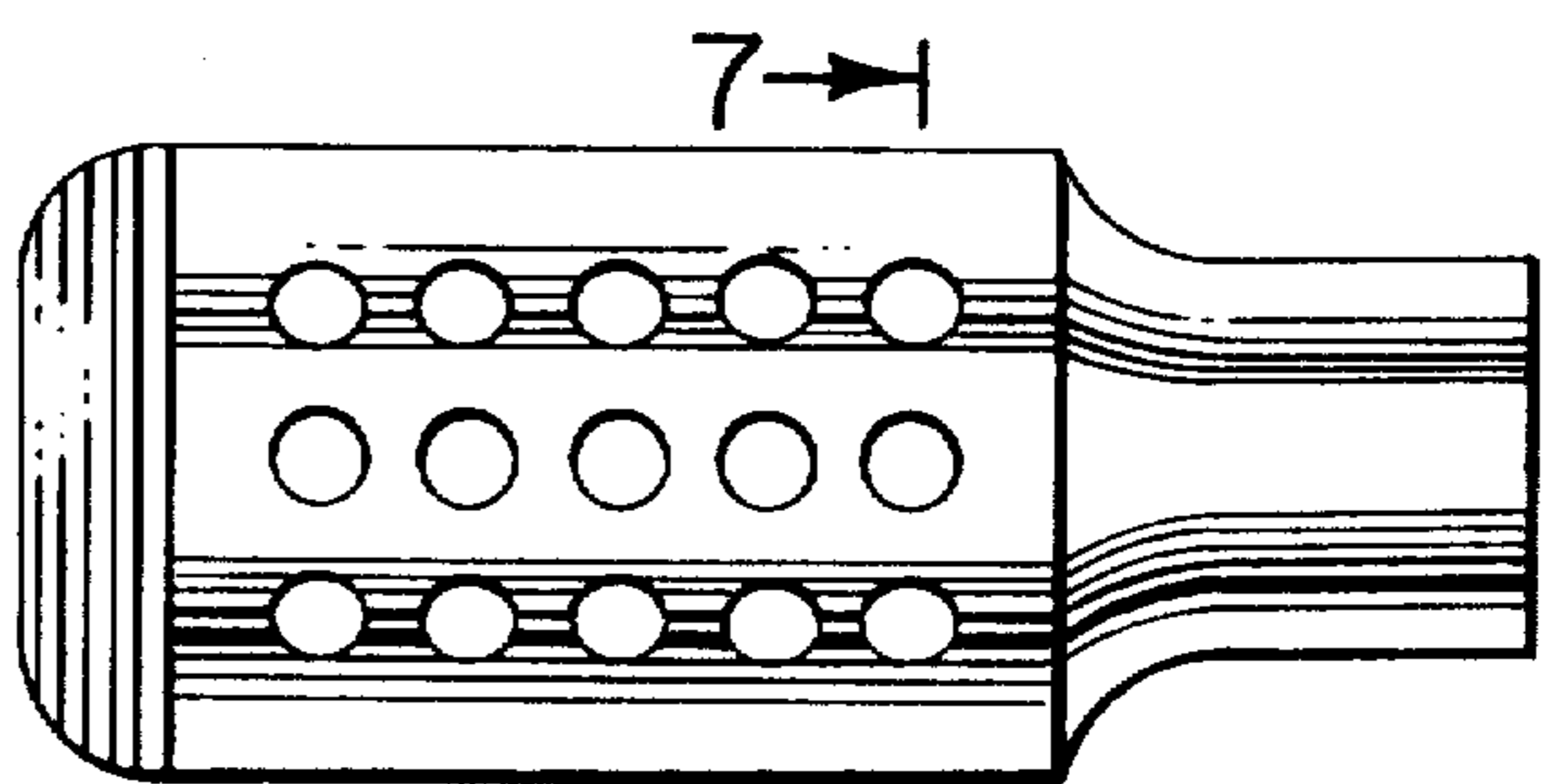
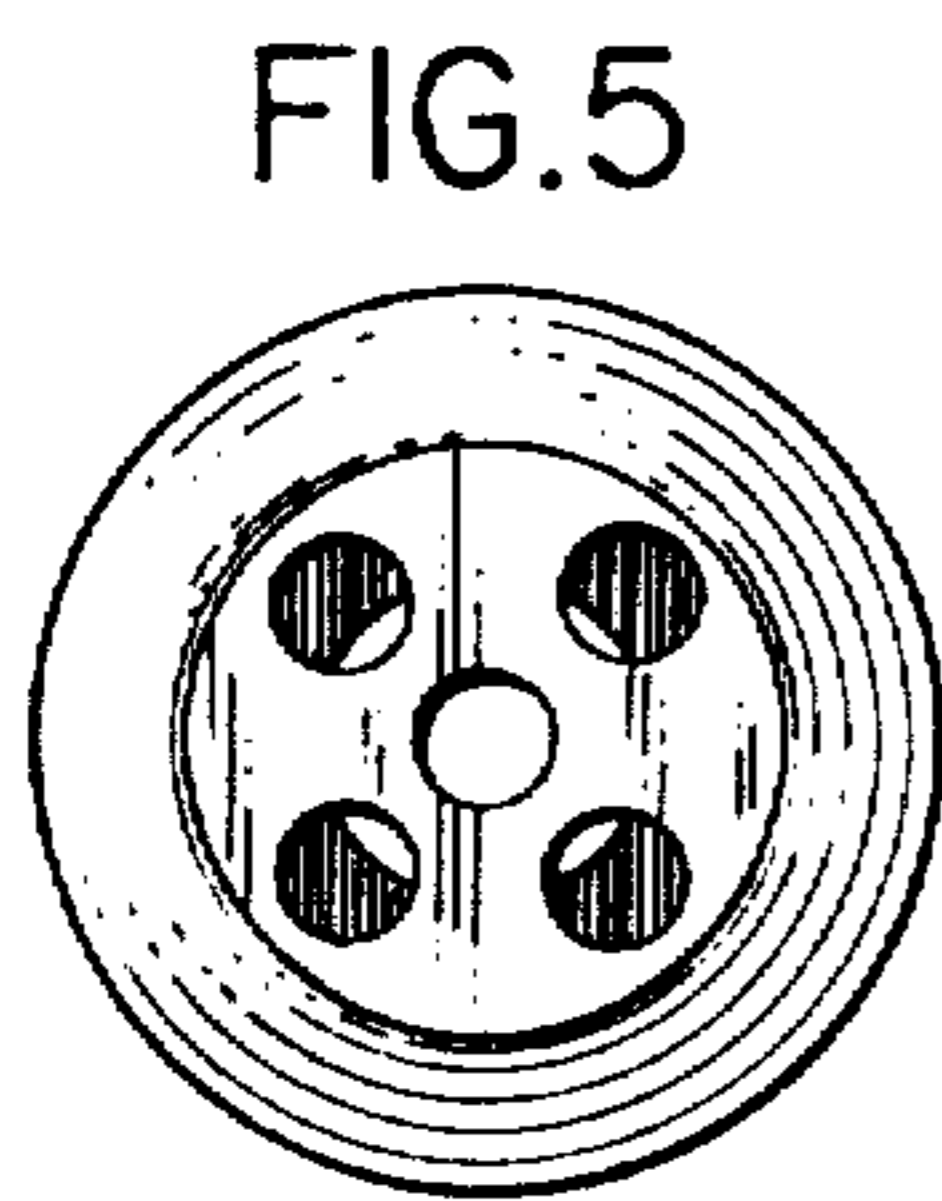
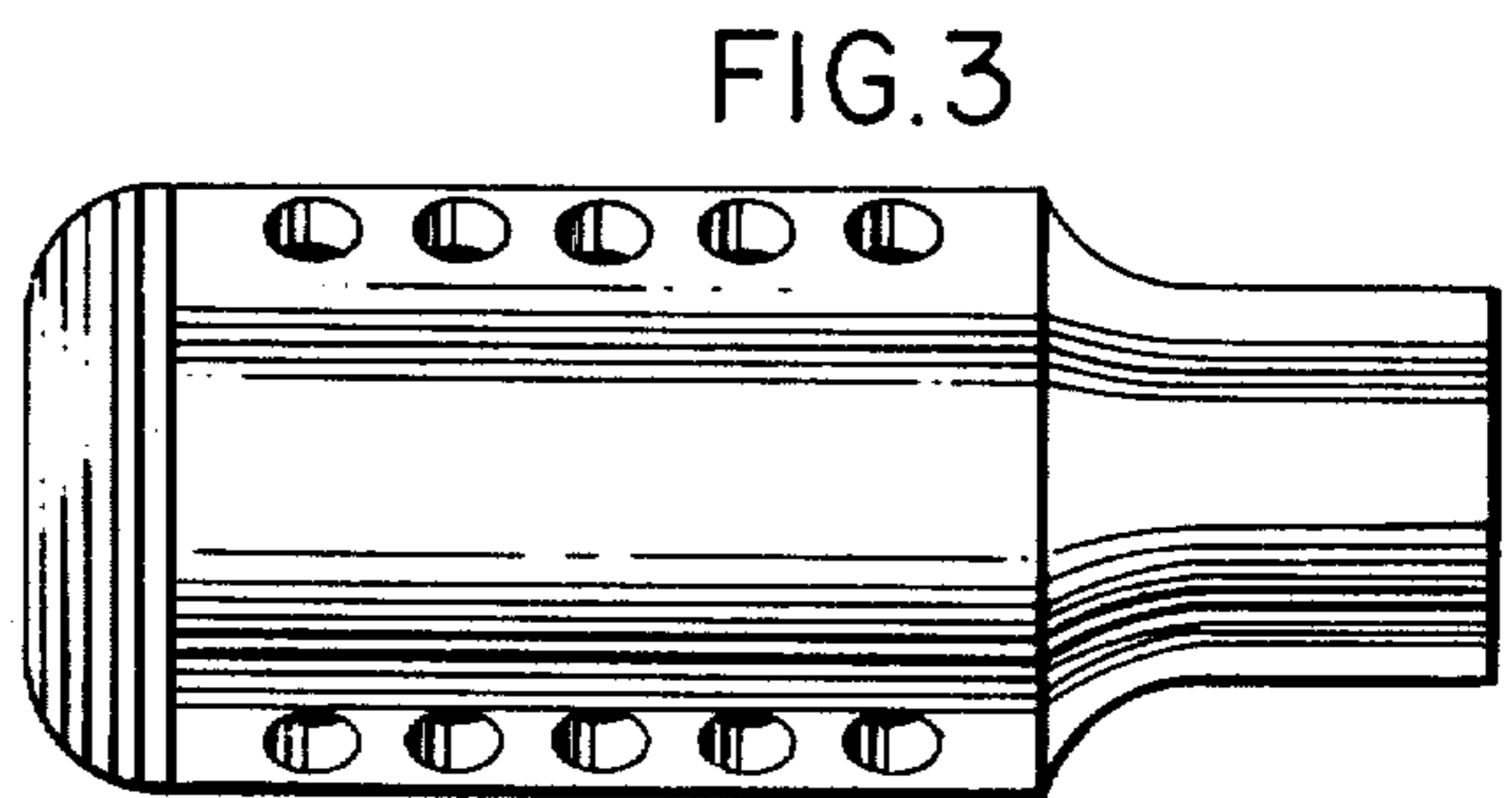
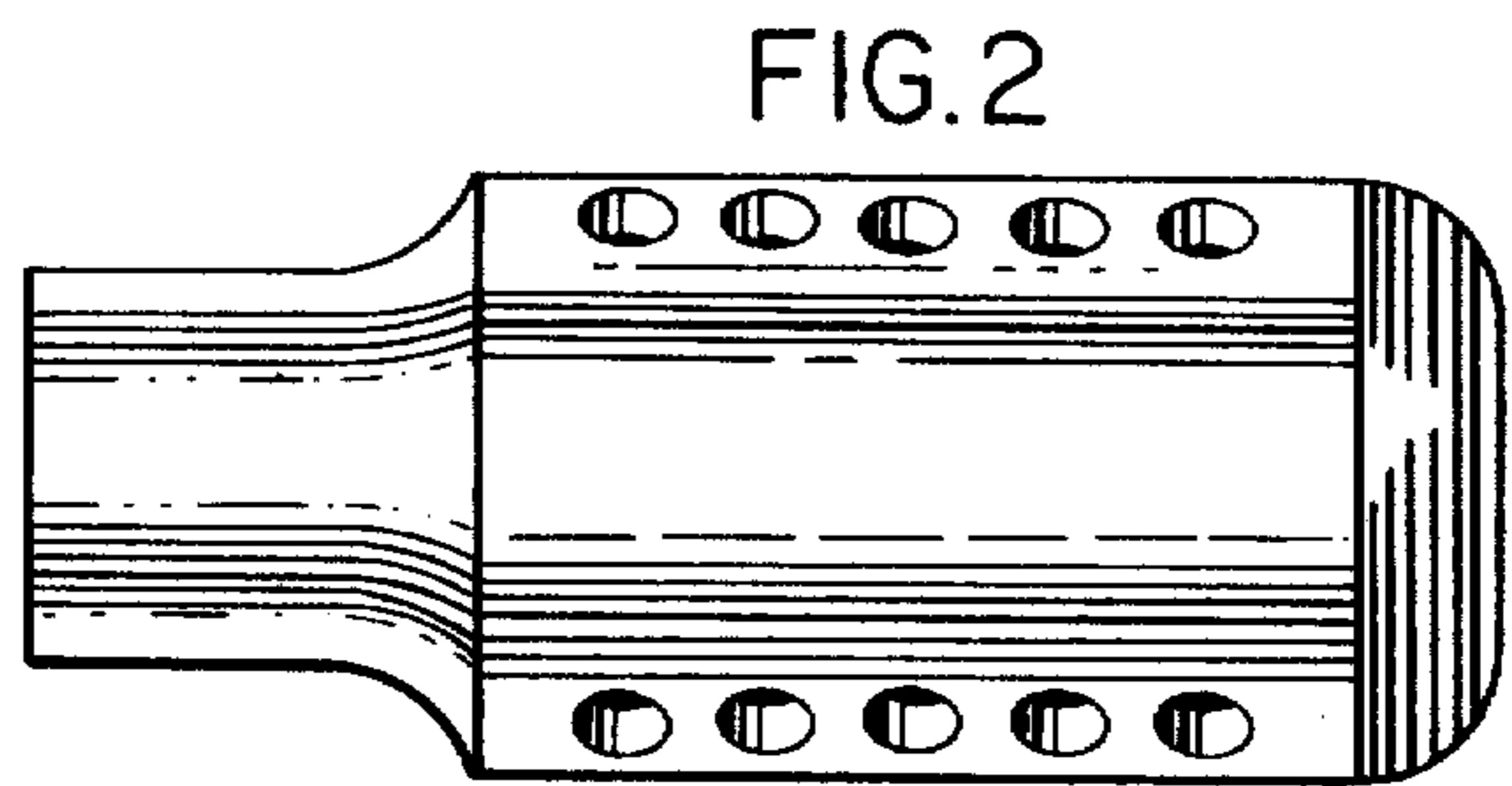
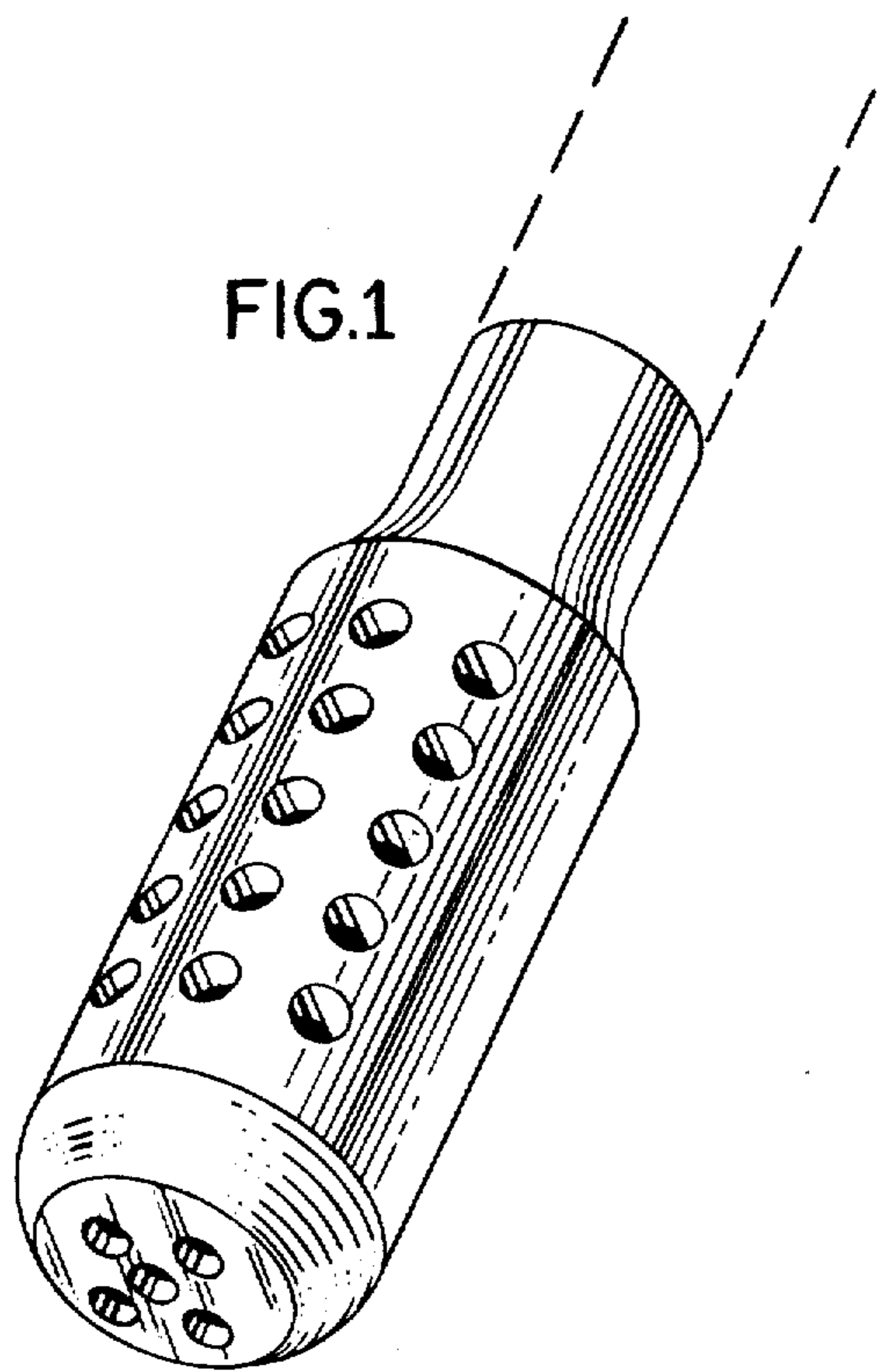
CLAIM

The ornamental design for a medical suction instrument tip, substantially as is shown.

DESCRIPTION

FIG. 1 is a top perspective view of the medical suction instrument tip showing my new design; FIG. 2 is a right side elevational view thereof; FIG. 3 is a left side elevational view thereof; FIG. 4 is a bottom plan view thereof; FIG. 5 is a front elevational view thereof; FIG. 6 is a rear elevational view thereof; and, FIG. 7 is a cross sectional view thereof taken along line 7-7 of FIG. 4.





7-7  
FIG. 4

FIG. 6

FIG. 7