

[54] PUMP  
 [75] Inventor: Ramon Pareja, Minneapolis, Minn.  
 [73] Assignee: Lear Siegler, Inc., Santa Monica, Calif.  
 [\*\*] Term: 14 Years  
 [21] Appl. No.: 594,793  
 [22] Filed: July 10, 1975  
 [51] Int. Cl. .... D15-02  
 [52] U.S. Cl. .... D15/7  
 [58] Field of Search ..... 418/153, 154; D65/1, D65/1 A

3,169,485 2/1965 Sadler et al. .... 418/154  
 3,183,842 5/1965 Sadler et al. .... 418/154  
 D. 209,876 1/1968 King ..... D65/1 R  
 D. 221,258 7/1971 Saddler ..... D65/1 R

Primary Examiner—James R. Lergen  
 Attorney, Agent, or Firm—Orrin M. Haugen

[57] CLAIM

The ornamental design for a pump, as shown and described.

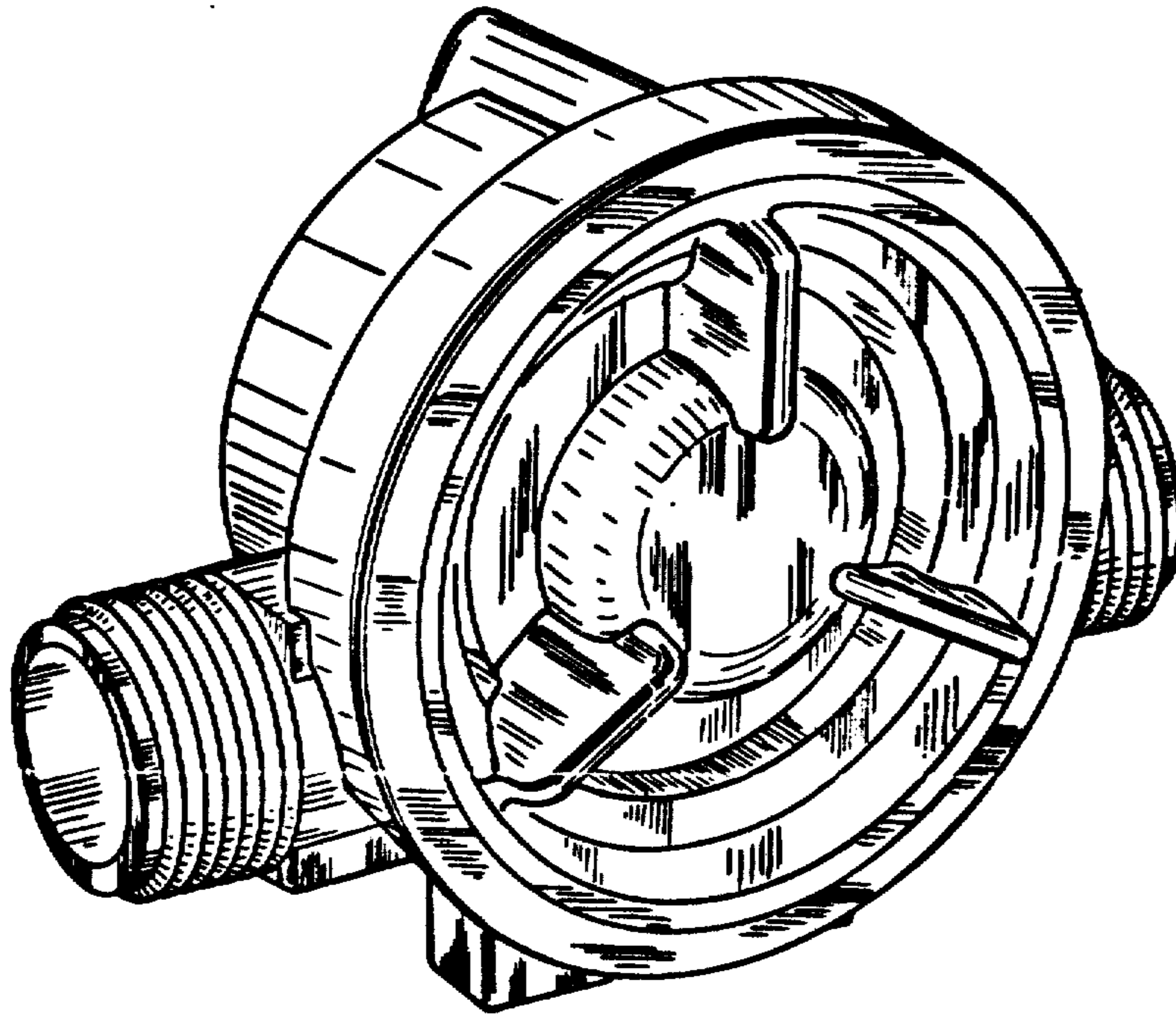
DESCRIPTION

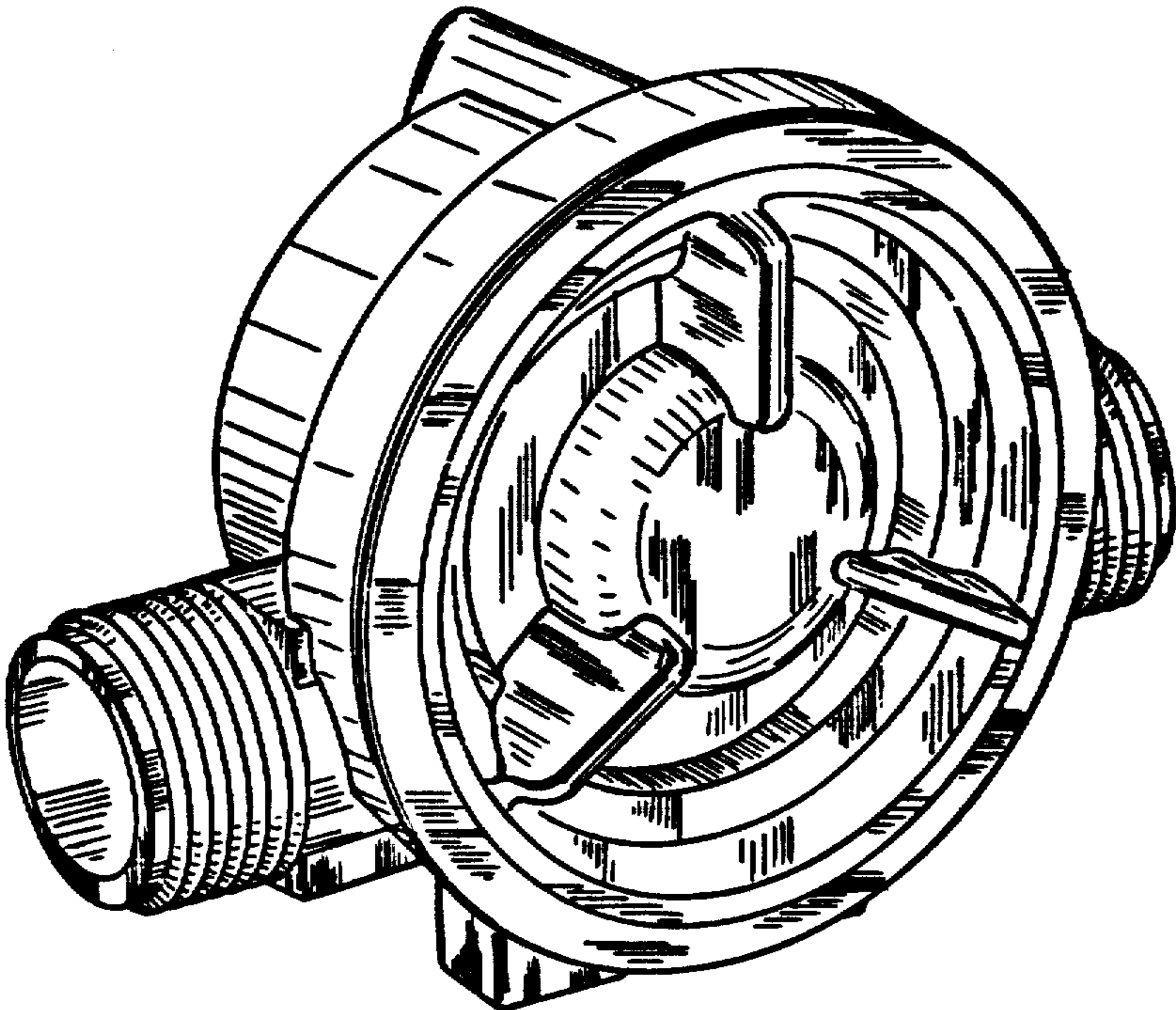
FIG. 1 is a front perspective view of a pump showing my new design;  
 FIG. 2 is a front elevational view thereof;  
 FIG. 3 is a rear elevational view thereof;  
 FIG. 4 is an elevational view taken from one side thereof, the opposite side being a mirror image of the side shown;  
 FIG. 5 is a top plan view thereof; and  
 FIG. 6 is a bottom plan view thereof.

[56] References Cited

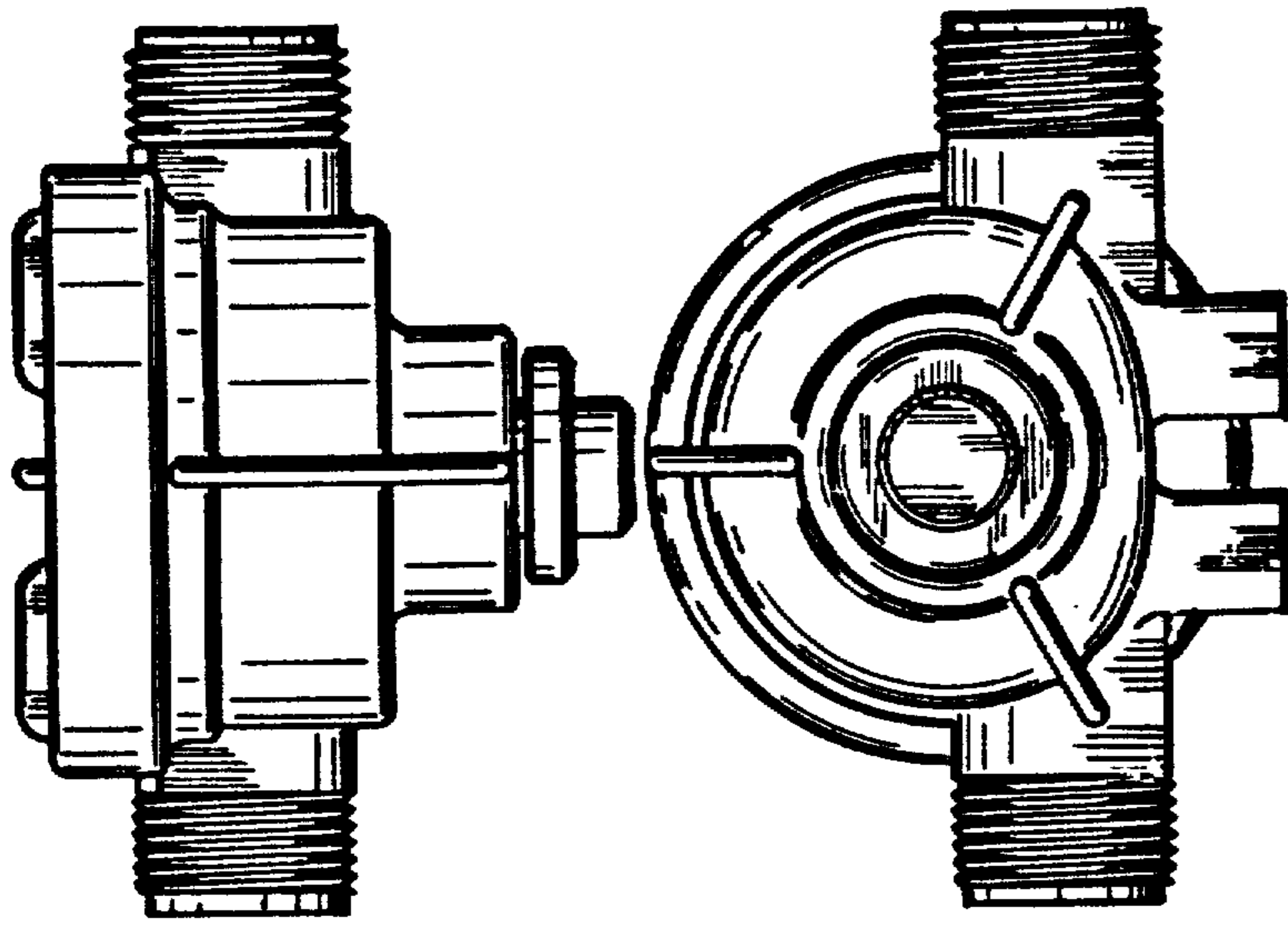
U.S. PATENT DOCUMENTS

2,599,600 6/1952 Arnold ..... 418/15 A  
 2,711,136 6/1955 Arnold ..... 418/77  
 2,760,438 8/1956 Hill ..... 418/153  
 2,855,853 10/1958 Yaughner et al. .... 418/154  
 2,971,469 2/1961 McLean ..... 418/154 X

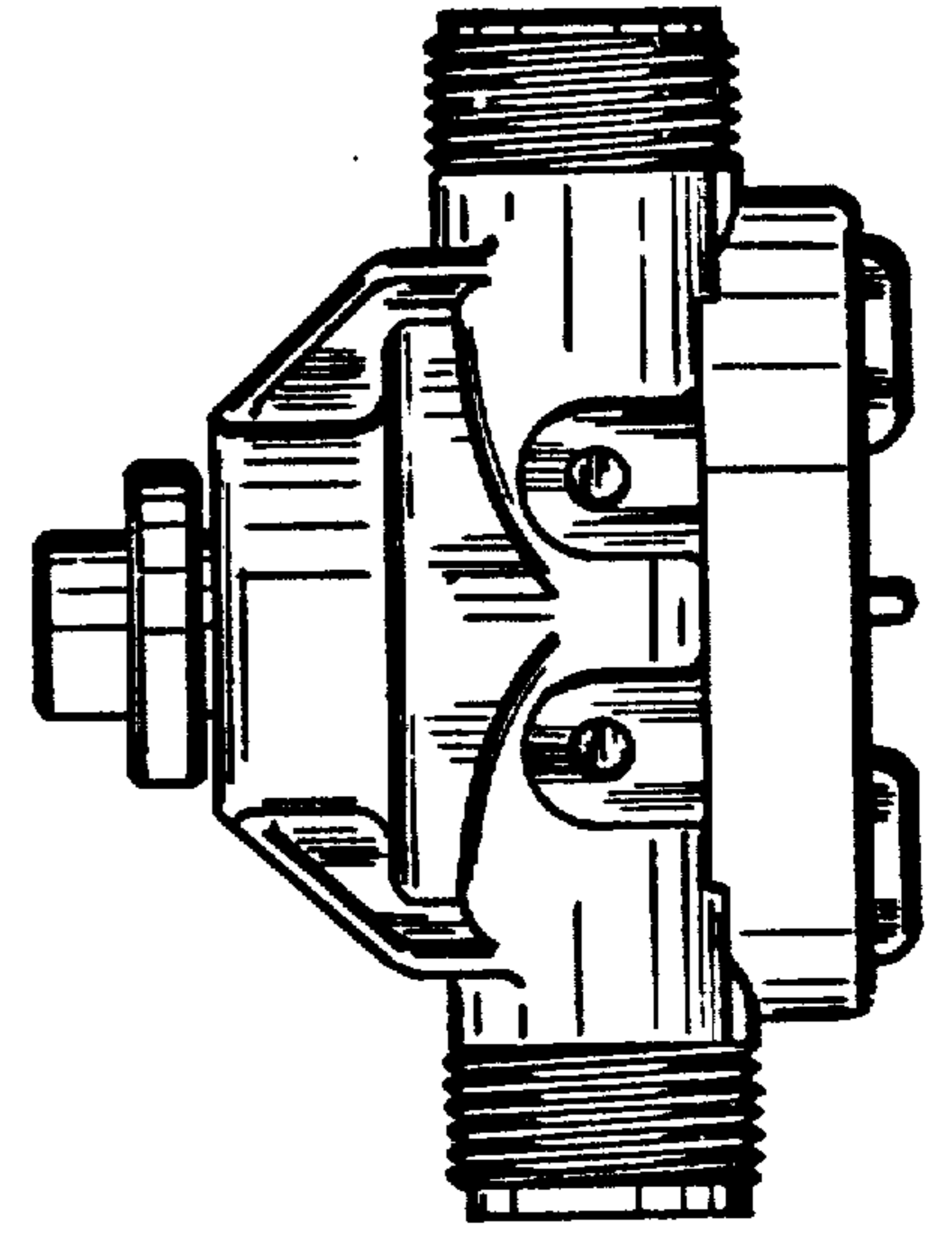




**FIG. 1**

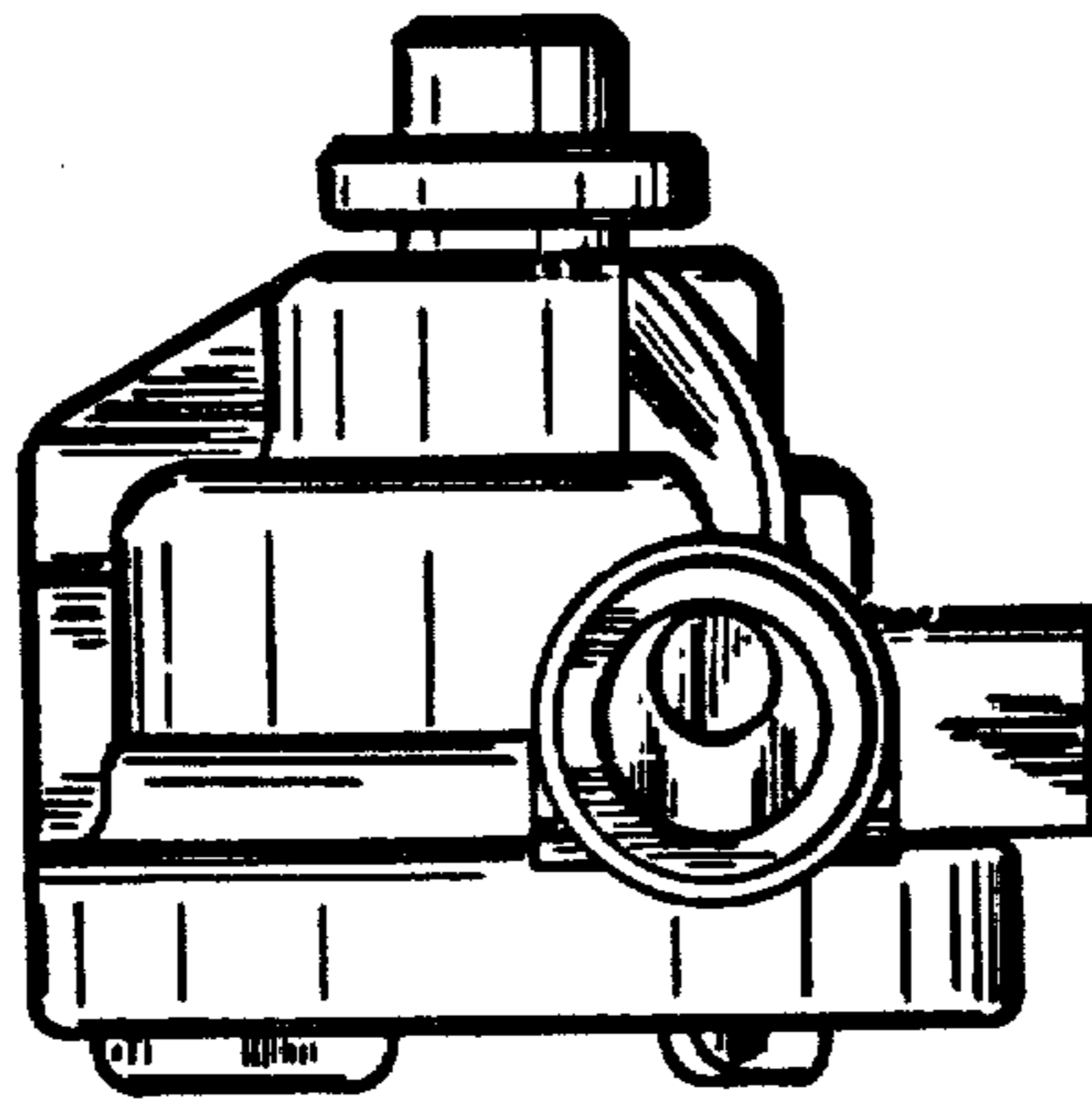


*FIG. 3*

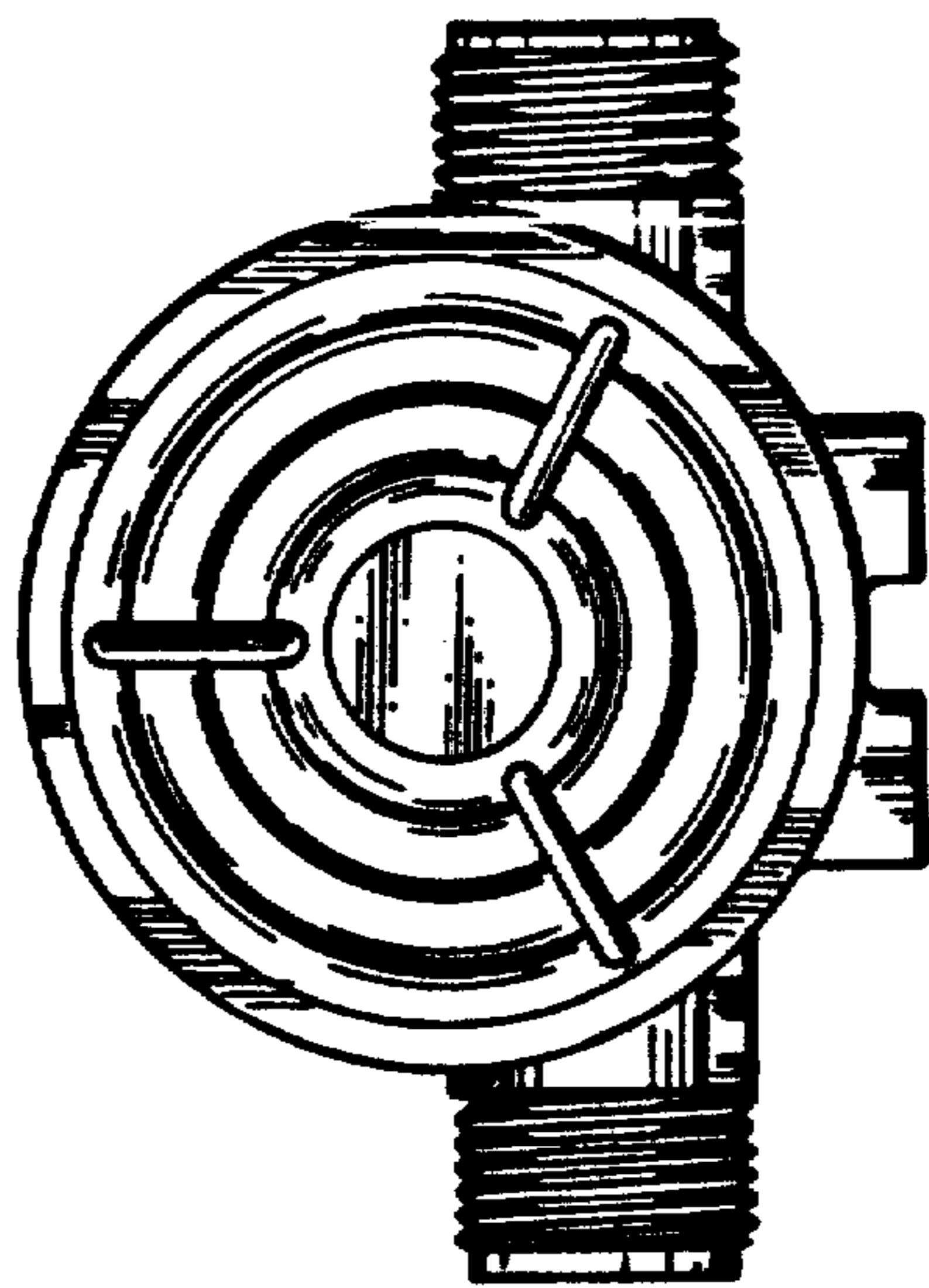


*FIG. 4*

*FIG. 5*



*FIG. 6*



*FIG. 5*