

[54] PORTABLE ELECTRIC LIGHT

[75] Inventors: Tadahide Okuno; Masahiro Karaki, both of Osaka, Japan

[73] Assignee: Matsushita Electric Industrial Co., Ltd., Kadoma, Japan

[**] Term: 14 Years

[21] Appl. No.: 532,487

[22] Filed: Dec. 13, 1974

[30] Foreign Application Priority Data

June 19, 1974 Japan 49-20646

[51] Int. Cl. D26-02

[52] U.S. Cl. D48/24 R

[58] Field of Search D48/24 R, 24 A; 240/10.5, 10.6 R, 10.61, 10.63, 10.65, 10.67, 10.68

[56] References Cited

U.S. PATENT DOCUMENTS

3,393,312	7/1968	Dahl	D48/24 A UX
3,479,499	11/1969	Dahl	240/10.6 R
D. 203,063	11/1965	Rhoades et al.	D48/24 R
D. 207,599	5/1967	Ashe	D48/24 R

Primary Examiner—Susie J. Mercer
Attorney, Agent, or Firm—Eric H. Waters

[57] CLAIM

The ornamental design for a portable electric light, as shown and described.

DESCRIPTION

FIG. 1 is a front and right side perspective view of a portable electric light showing our new design, FIG. 2 is a rear and left side perspective view, FIG. 3 is a front and right side perspective view with the lamp-arm raised, and FIG. 4 is a right side perspective view thereof, showing the body in a vertical position with the lamp-arm and lamp-housing fully extended.

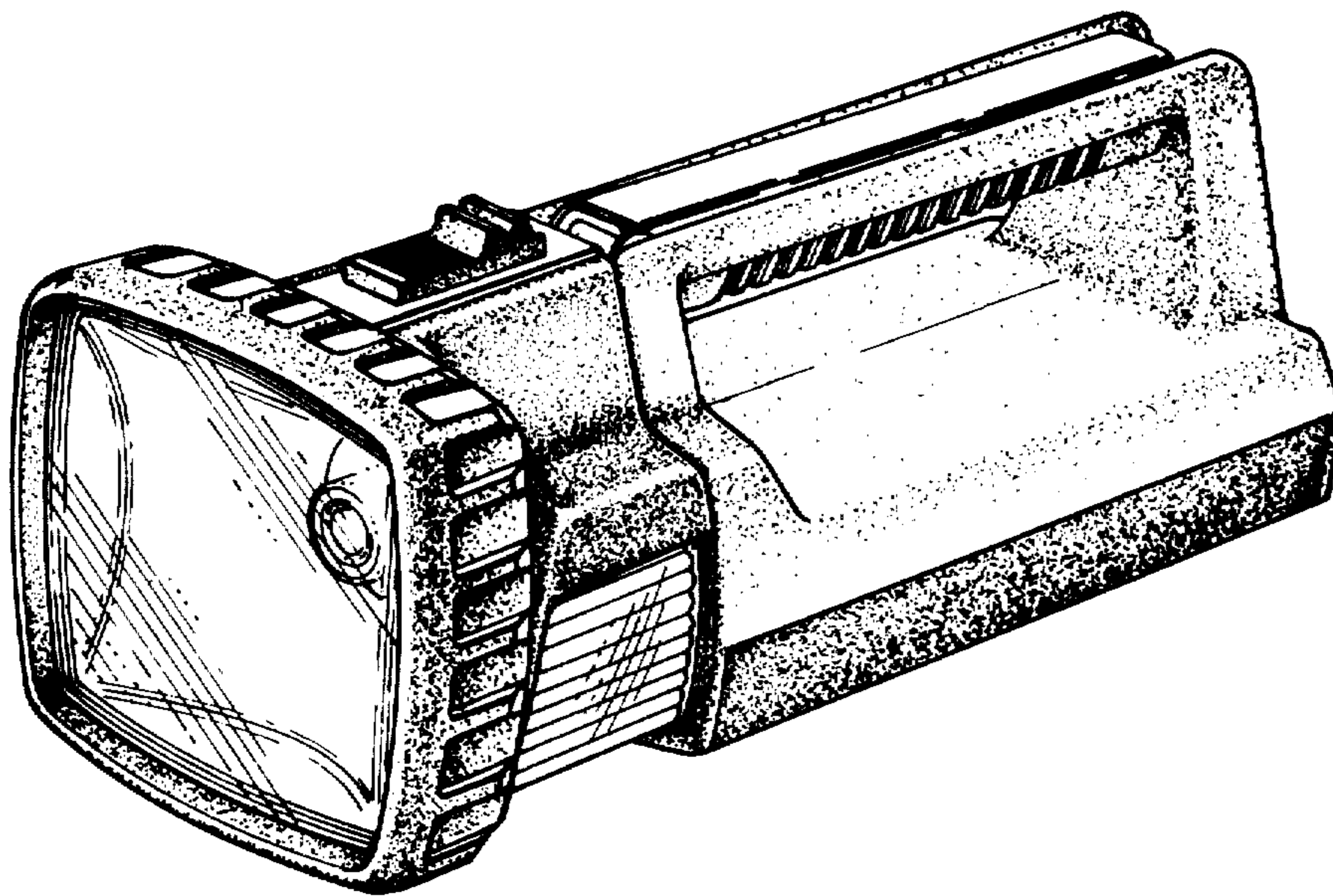


FIG. 1

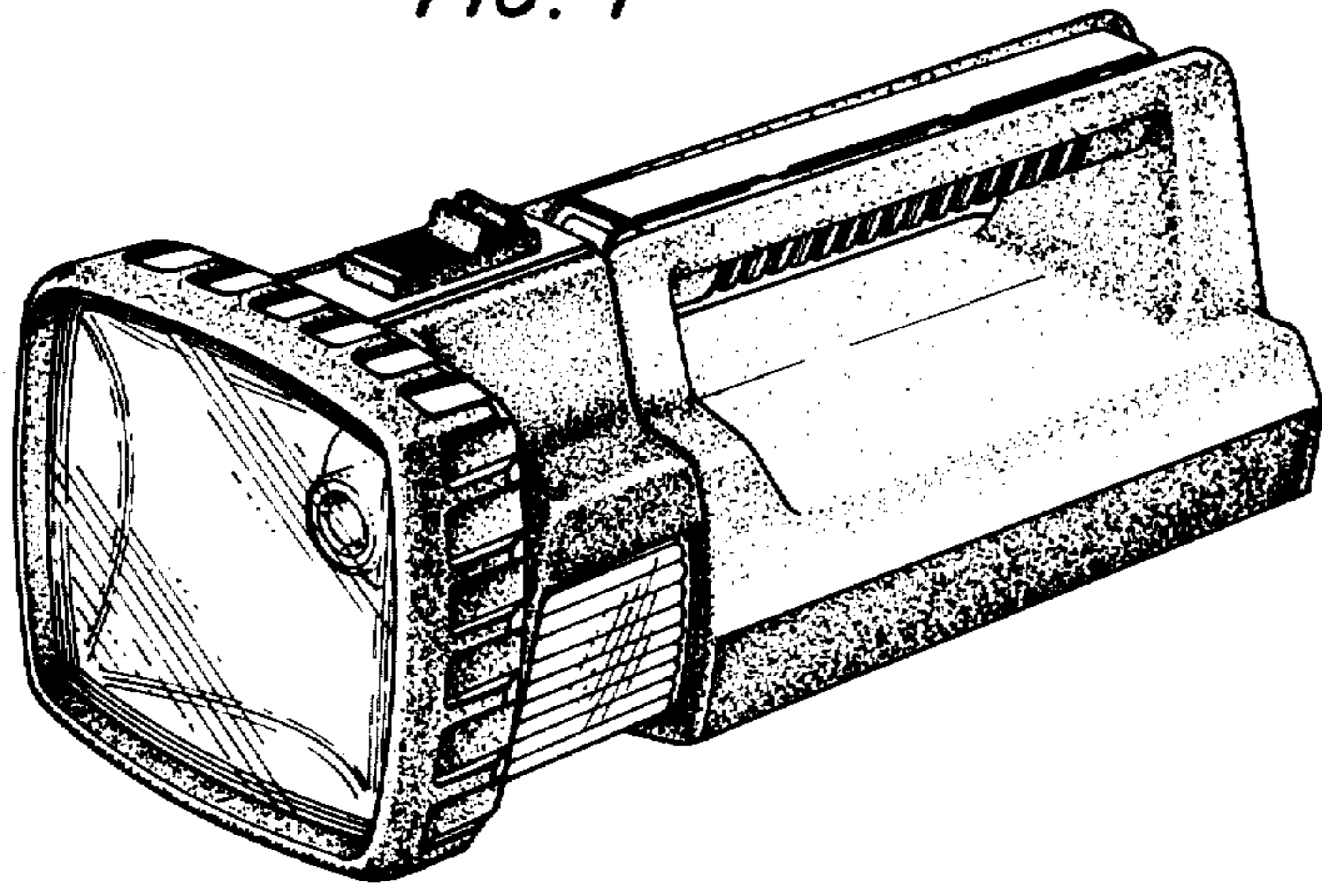


FIG. 2

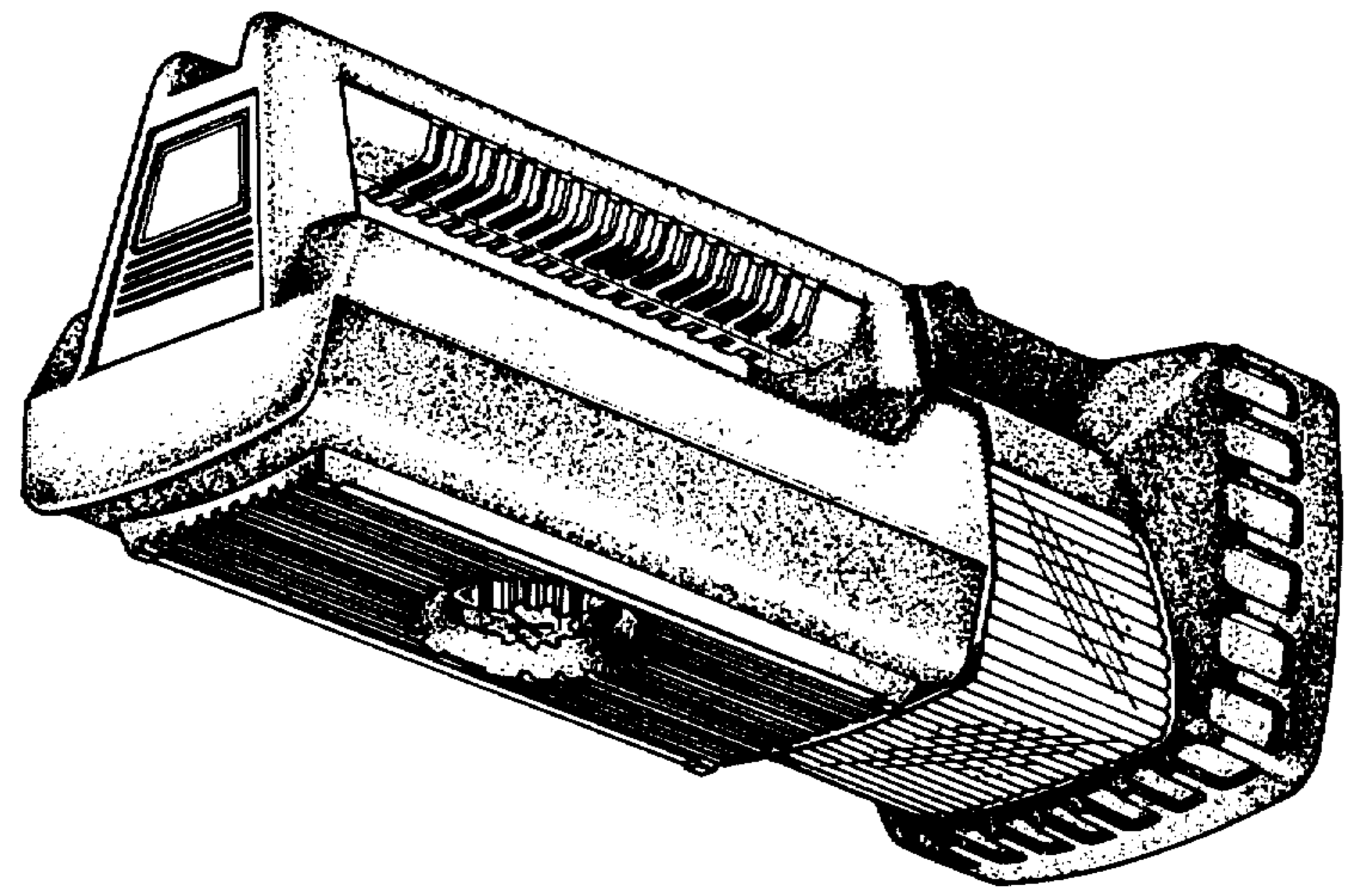


FIG. 3

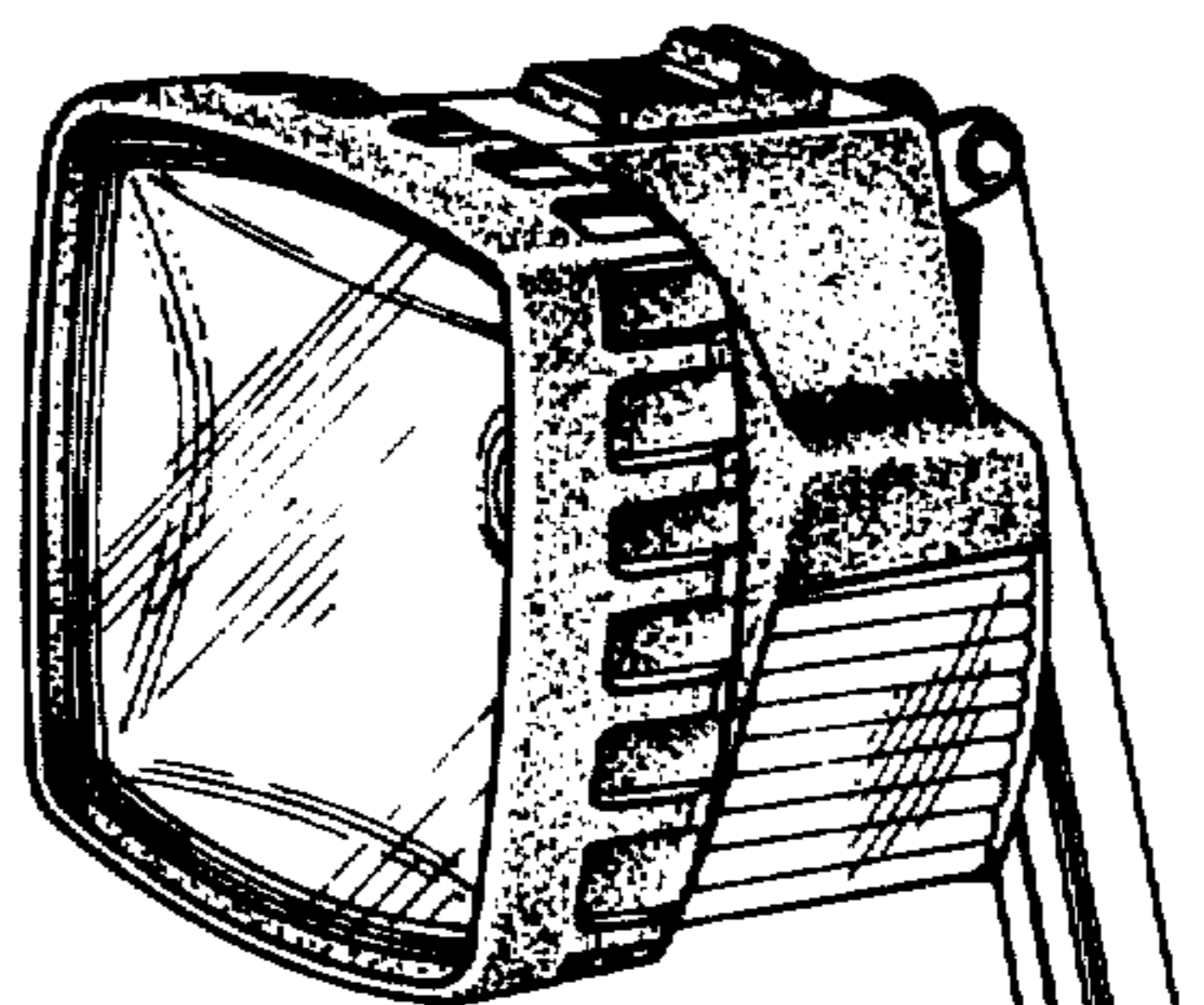


FIG. 4

