

[54] COMBINED SELF-PROPELLED TRACTOR WITH LAWN MOWER APPARATUS

[75] Inventors: Hans Tage Alfred Ehrlin; Christian Gunnar Häggstam, both of Tranas, Sweden

[73] Assignee: Stiga AB, Tranas, Sweden

[**] Term: 14 Years

[21] Appl. No.: 533,784

[22] Filed: Dec. 18, 1974

[30] Foreign Application Priority Data
June 26, 1974 Sweden 741062

[51] Int. Cl. D15-03

[52] U.S. Cl. D15/15

[58] Field of Search D40/1 D; 56/13.4, 13.3, 56/15.8, 16.1, 15.9, DIG. 22; 180/1 F, 89 R

[56] References Cited

U.S. PATENT DOCUMENTS

D. 218,768 9/1970 Schreckengost D40/1 D

OTHER PUBLICATIONS

Agricultural Machinery Journal Garden Machinery Supplement, Jan. 1974, p. 1. Wolf Riding Mower, bottom left side of page.

Agricultural Machinery Journal, June 1974, p. 35, Riding Mower, lower right side of page.

Hardware Age, Apr. 1974, p. 116, Riding Mower, center of page.

Primary Examiner—Wallace R. Burke
Assistant Examiner—James M. Gandy
Attorney, Agent, or Firm—Robert Osann

[57] CLAIM

The ornamental design for a combined self-propelled tractor with lawn mower apparatus, as shown.

DESCRIPTION

FIG. 1 is a front perspective view of a combined self-propelled tractor with lawn mower apparatus showing our new design;

FIG. 2 is a rear perspective view thereof;

FIG. 3 is a side perspective view thereof;

FIG. 4 is a side perspective view thereof opposite to that shown in FIG. 3.

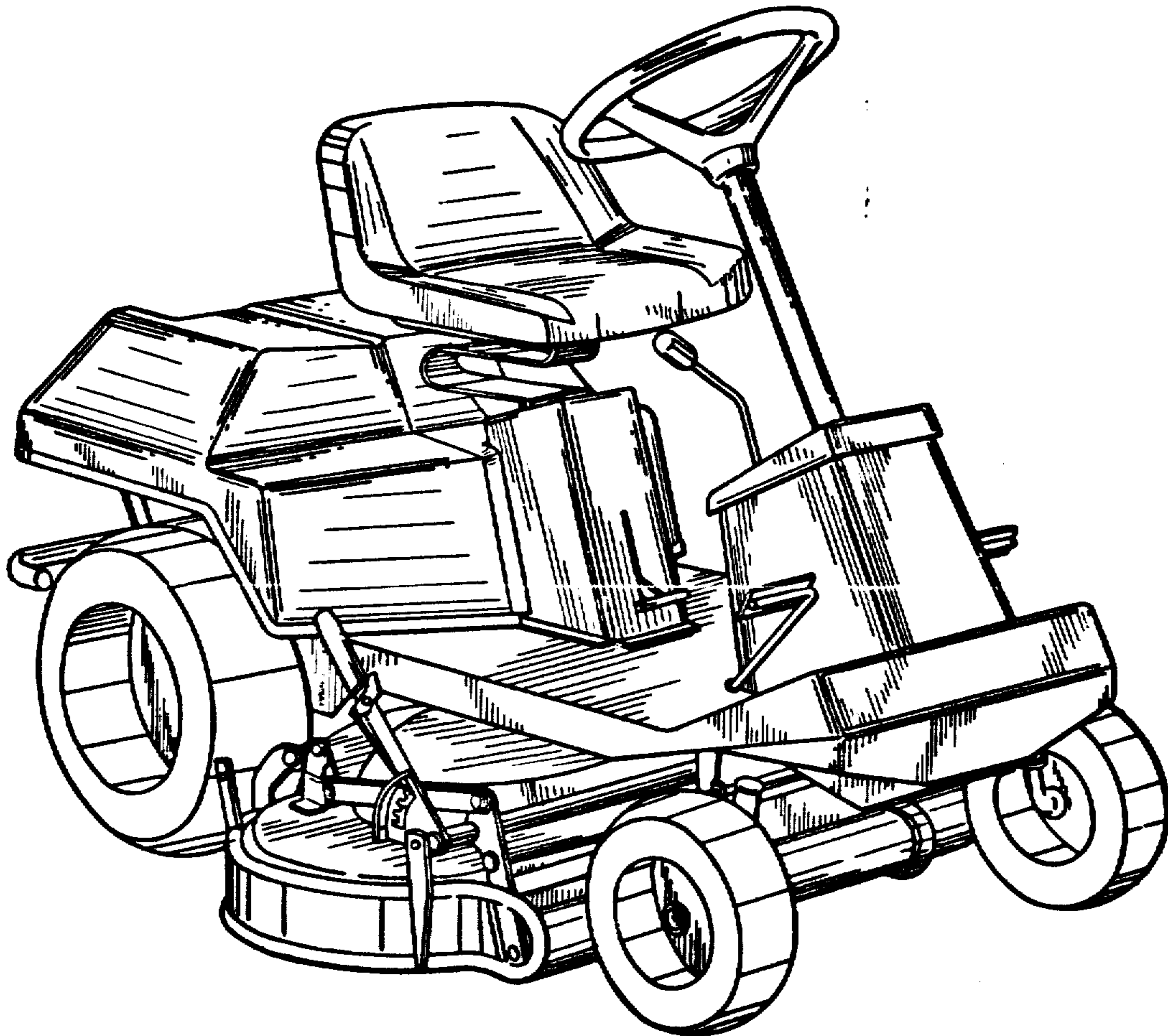


FIG. 1

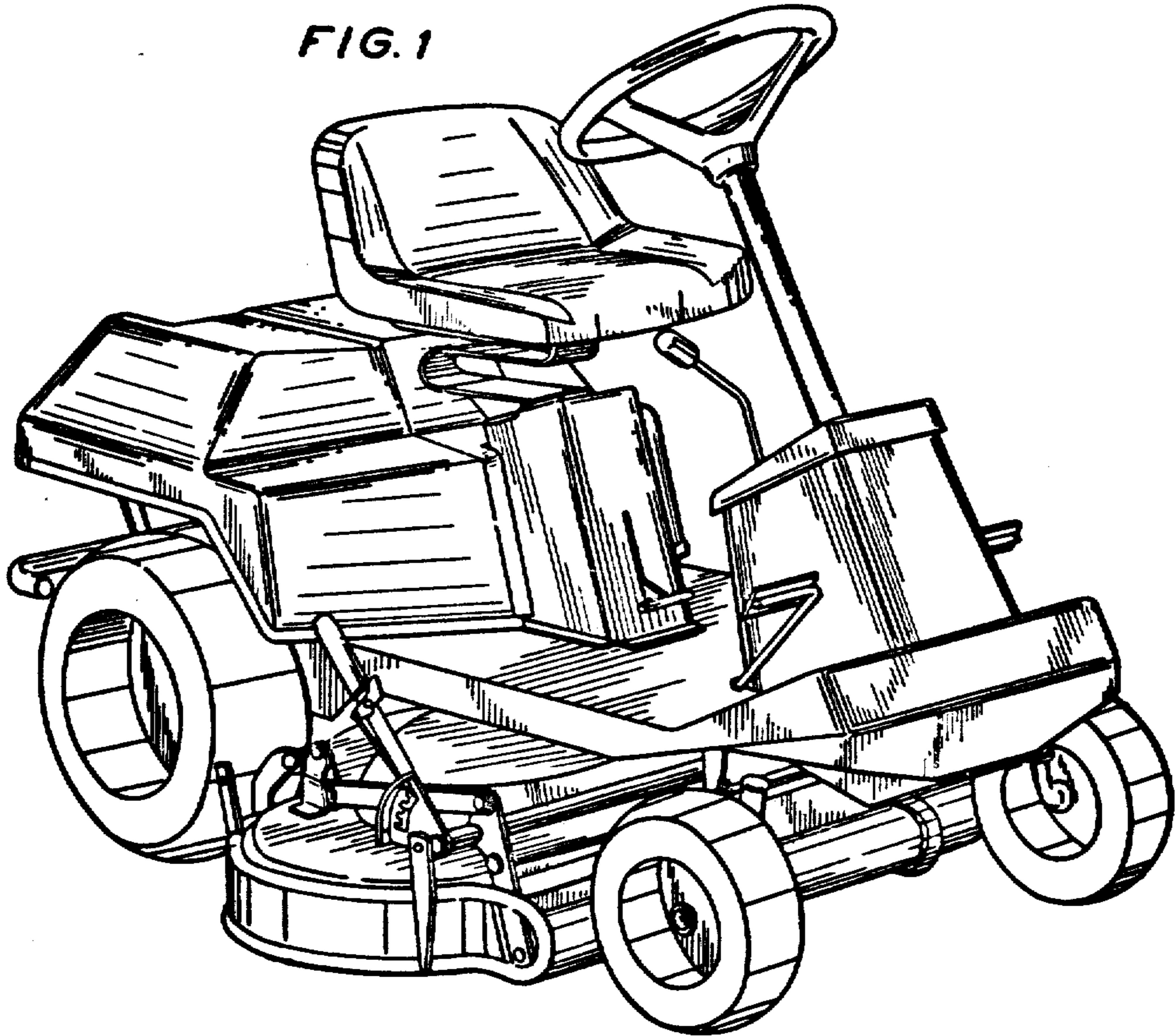


FIG. 2

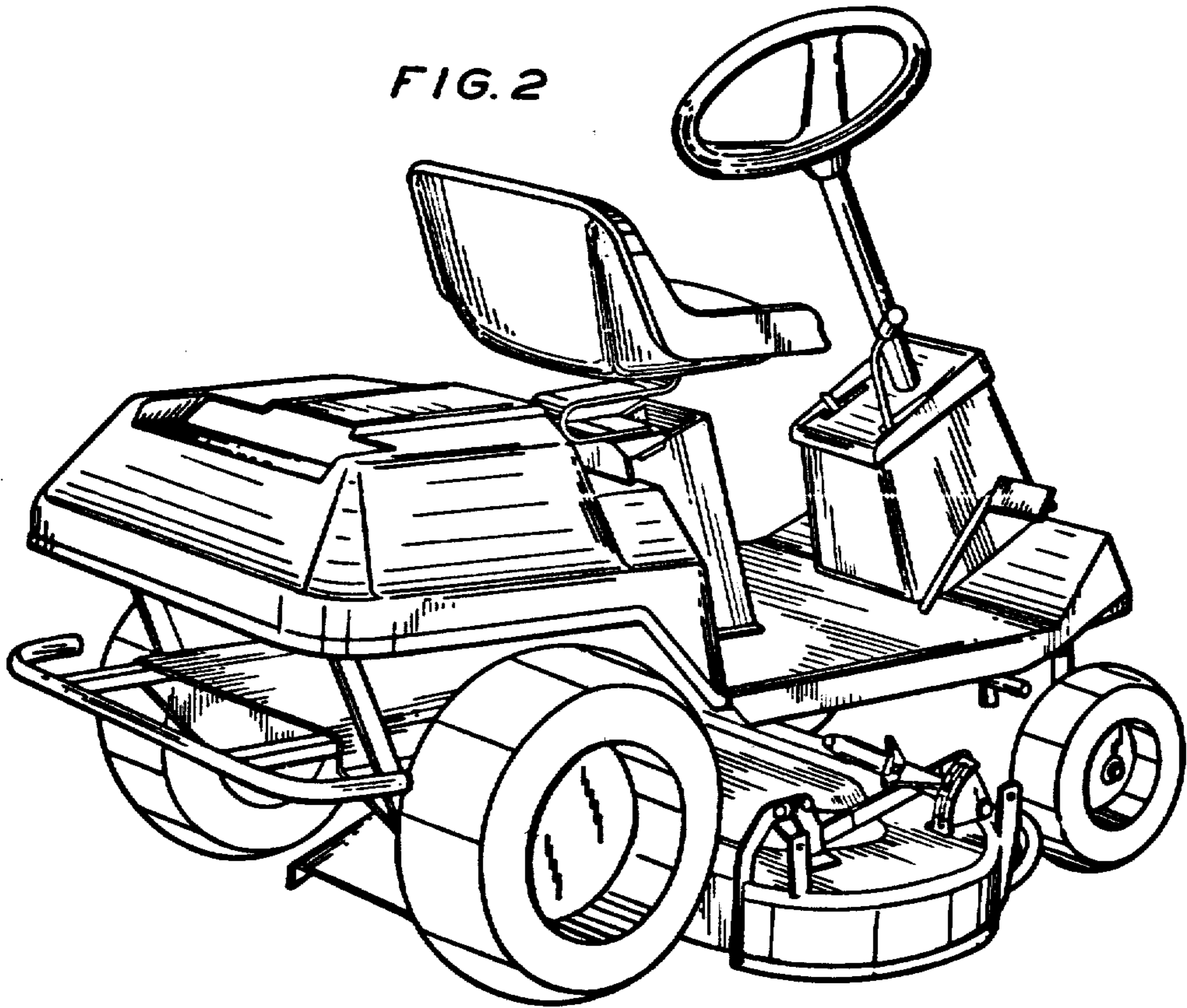


FIG. 3

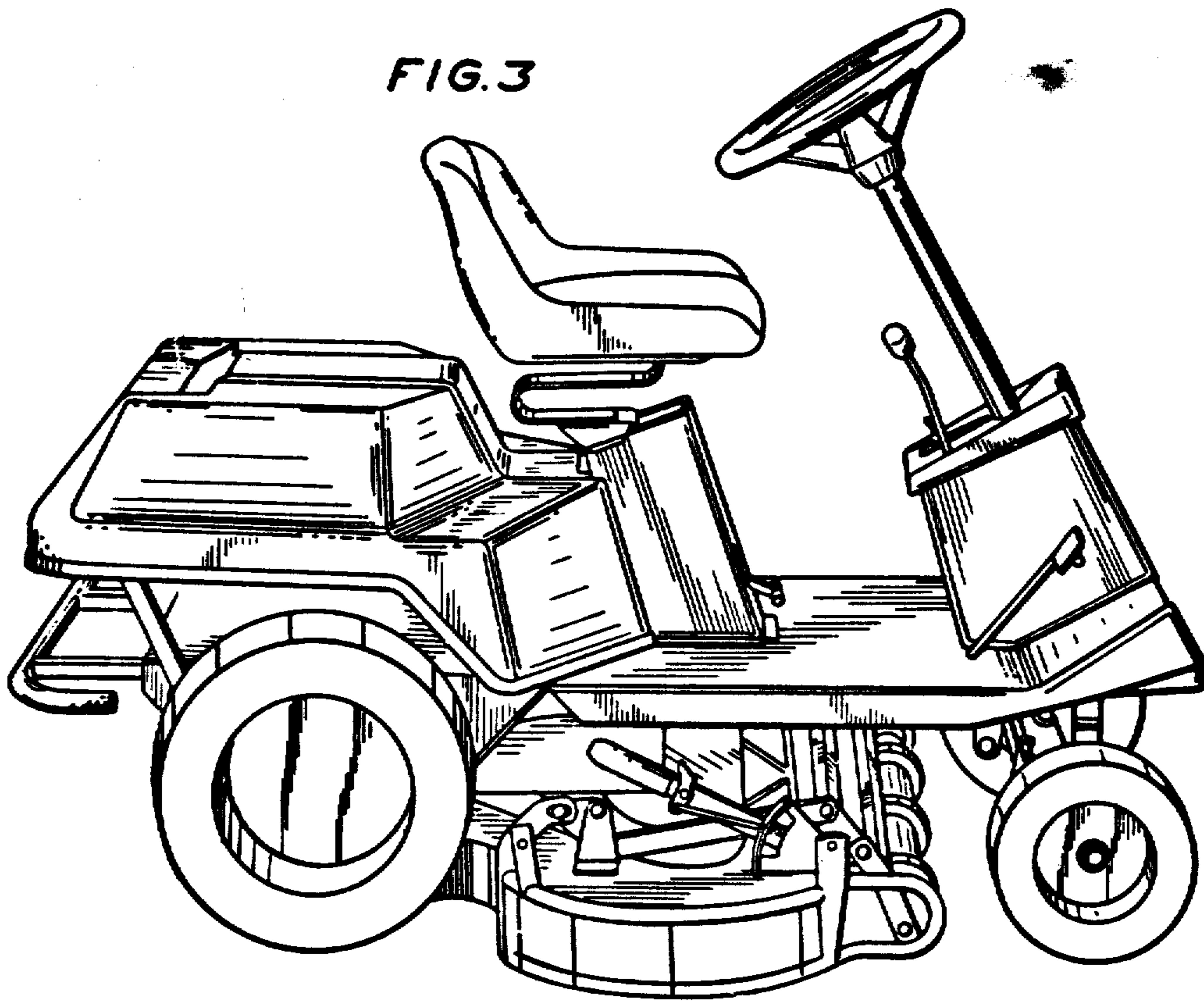


FIG. 4

