

[54] TOY DIGGER

[75] Inventors: Jack L. Breneman, Orchard Park; Jeffrey T. Samson, East Aurora, both of N.Y.

[73] Assignee: The Quaker Oats Company, Chicago, Ill.

[**] Term: 14 Years

[21] Appl. No.: 493,254

[44] Published under the second Trial Voluntary Protest Program on April 13, 1976 as document No. B 493,254.

[22] Filed: July 31, 1974

[51] Int. Cl. D21-01

[52] U.S. Cl. D34/15 AJ

[58] Field of Search D34/15 AJ, 15 MM, 15 AT; D12/1, 12, 14, 15, 8, 132, 107, 112, 117; D40/5 R, 1 R; 280/87 R, 87.01

[56] References Cited

U.S. PATENT DOCUMENTS

3,807,586 4/1974 Holopainen D40/5 R

OTHER PUBLICATIONS

Ertl, 1970 Catalog, p. 14, No. 426, "Payloader" at bottom of page.

Ward, 1973, Xmas Catalog, p. 295, Tractor second from top of page.

Primary Examiner—Joel Stearman

Assistant Examiner—C. A. Rademaker

[57] CLAIM

The ornamental design for a toy digger, substantially as shown and described.

DESCRIPTION

FIG. 1 is a front perspective view of a toy digger showing our new design;

FIG. 2 is a left-side elevational view thereof shown on an enlarged scale;

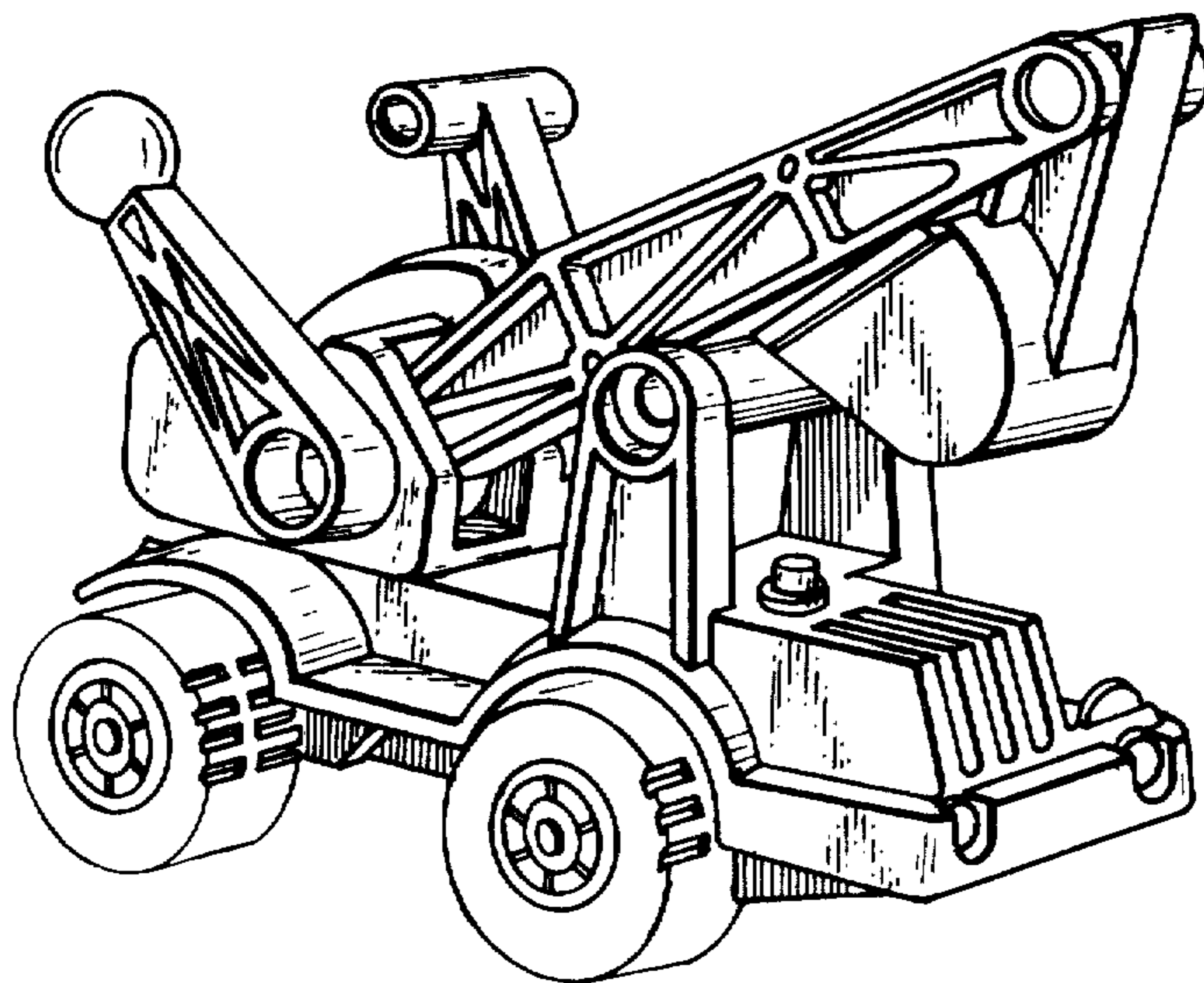
FIG. 3 is a front elevational view thereof;

FIG. 4 is a rear elevational view thereof;

FIG. 5 is a top plan view thereof; and

FIG. 6 is a left-side elevational view, shown on a reduced scale with the bucket rotated to the right and extended.

The tire lugs fragmentarily shown in FIGS. 1 and 6 are continuous over the surface of the tire members.



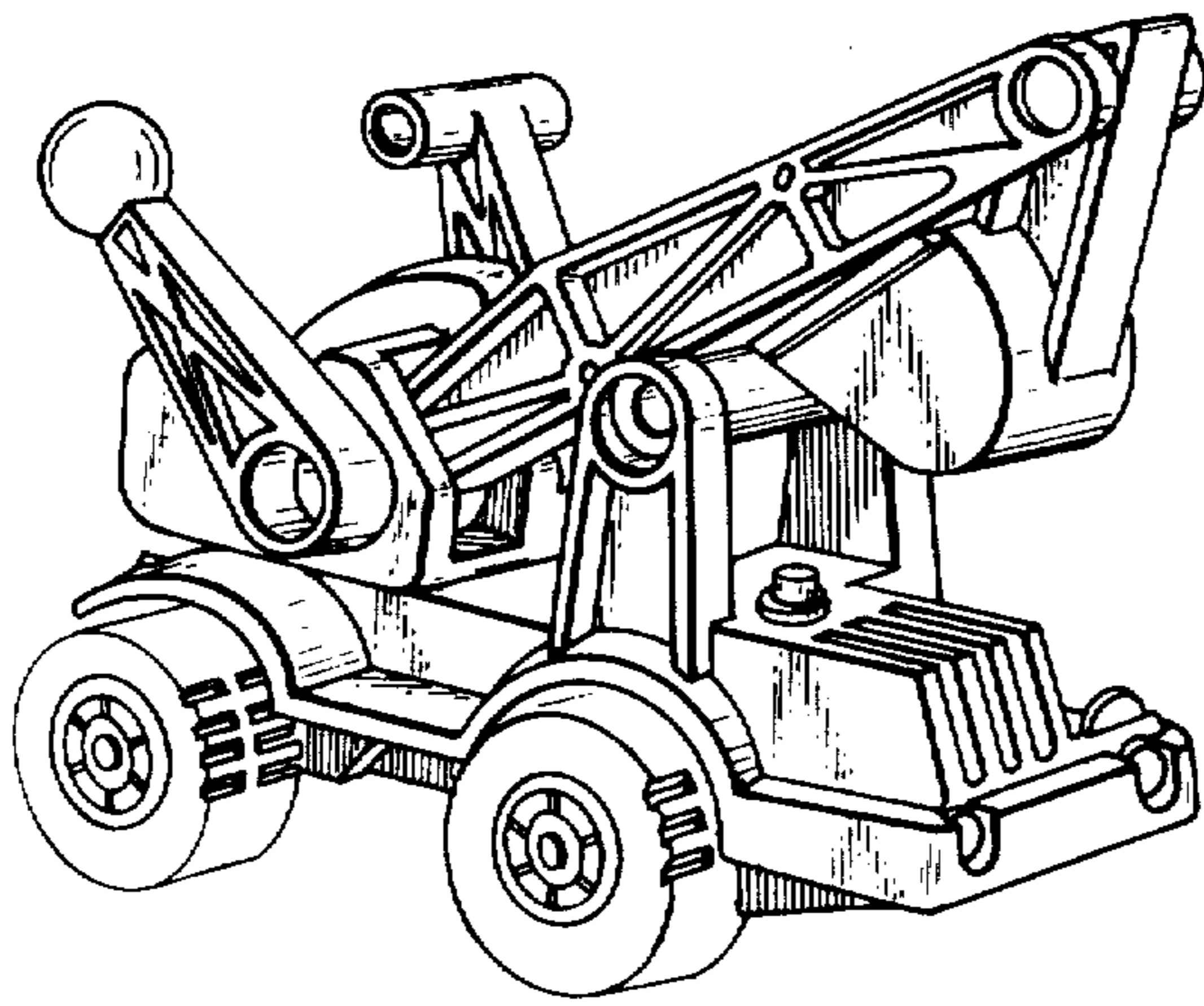


FIG. 1

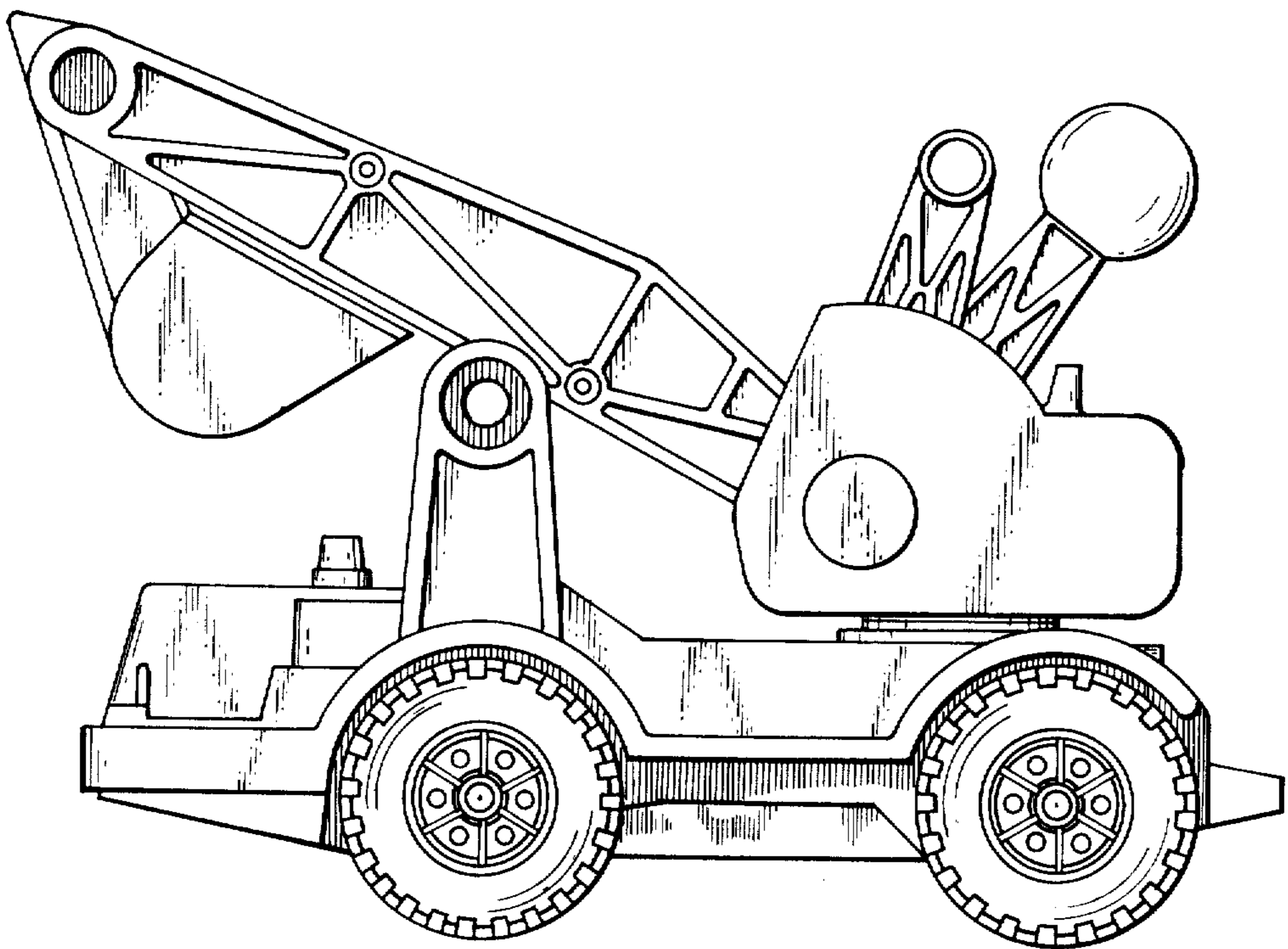


FIG. 2

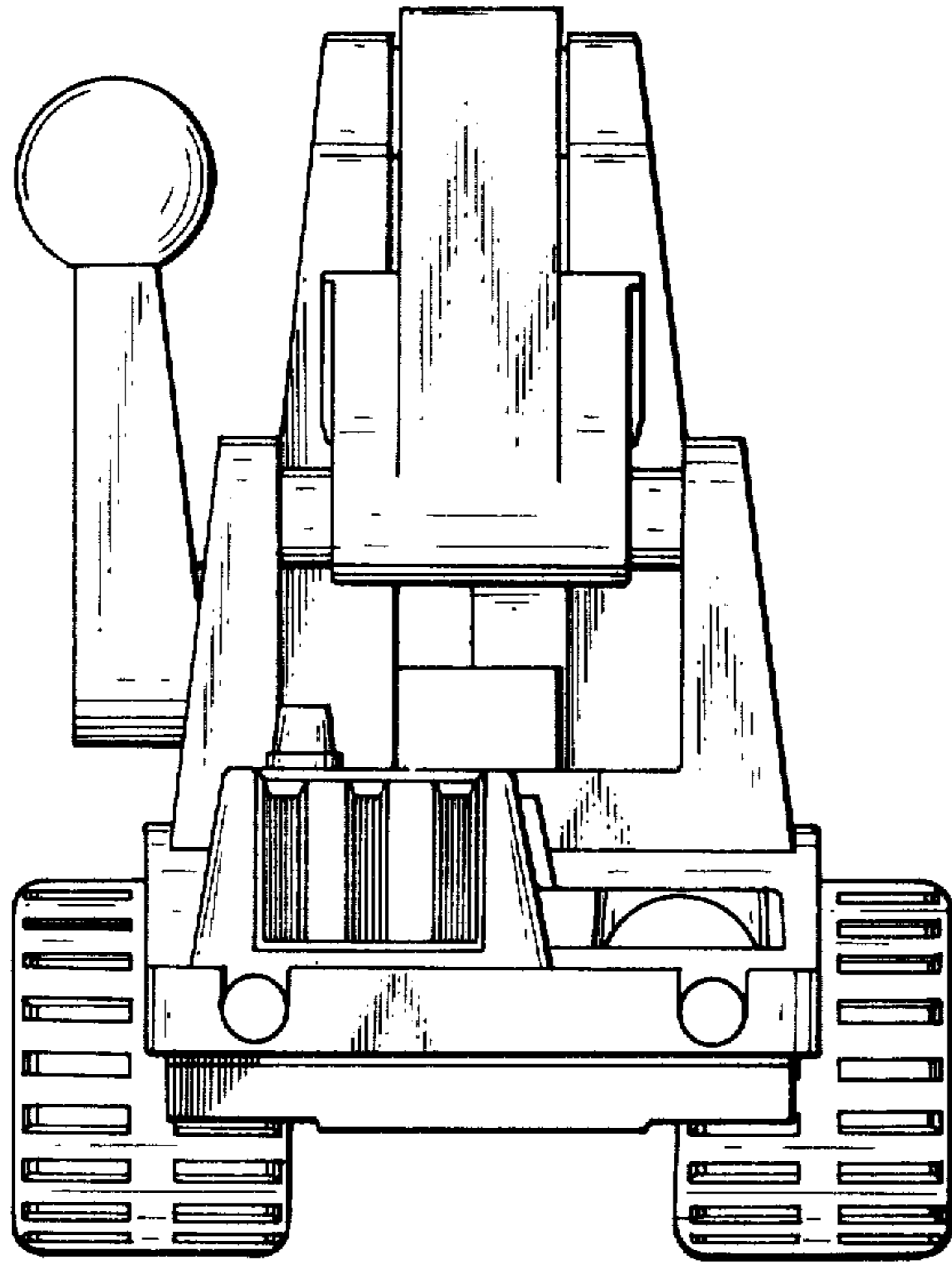


FIG. 3

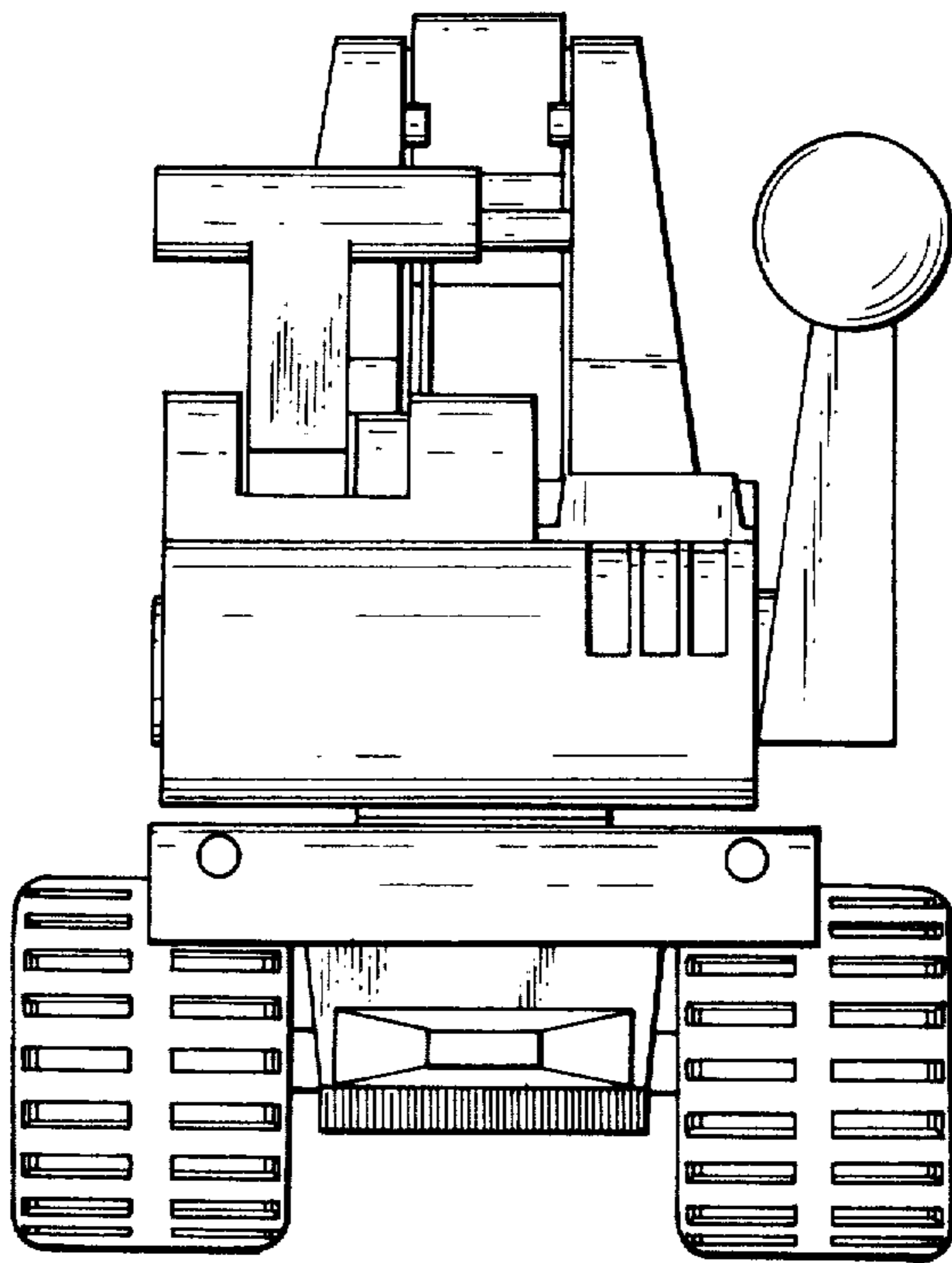


FIG. 4

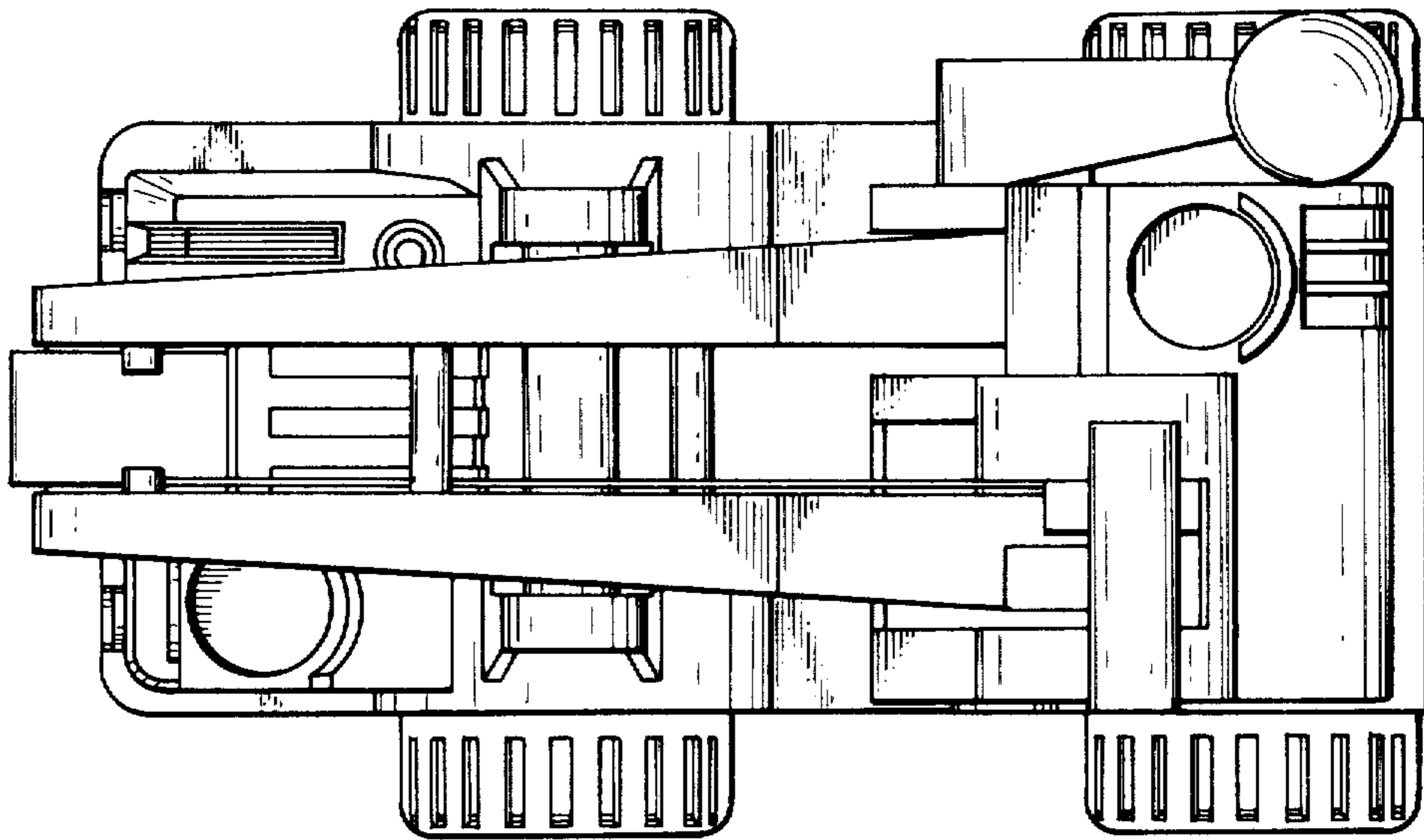


FIG. 5

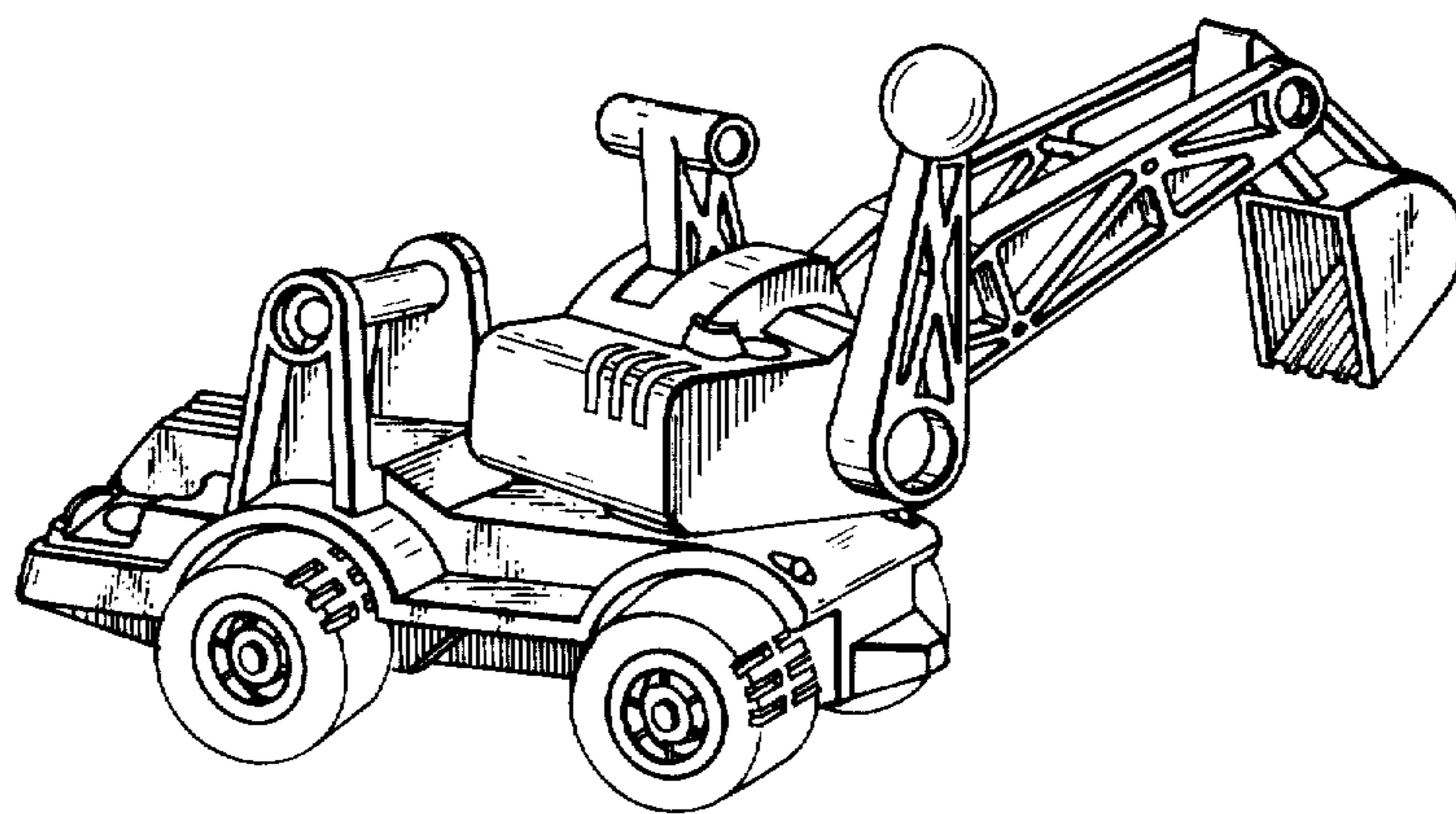


FIG. 6