

[54] SKI POLE

[75] Inventor: Jeffrey M. Koblick, Hennepin County, Minn.

[73] Assignee: K-tel International, Inc.

[\*\*] Term: 14 Years

[21] Appl. No.: 617,390

[22] Filed: Sept. 29, 1975

[51] Int. Cl. .... D21-02

[52] U.S. Cl. .... D34/14 D

[58] Field of Search ..... D34/14; 280/600, 617, 280/623, 625, 626, 11.37 R, 11.37 Z, 11.37 S, 11.37 D, 11.37 H, 11.37 N

[56] References Cited

U.S. PATENT DOCUMENTS

1,961,099 5/1934 Dickson ..... 135/45 R  
D. 230,927 3/1974 Goletski ..... D34/14 D

FOREIGN PATENT DOCUMENTS

2,058,863 11/1970 Germany ..... 280/11.37 B  
636,187 9/1936 Germany ..... 280/11.37 N

Primary Examiner—Joel Stearman  
Assistant Examiner—C. A. Rademaker  
Attorney, Agent, or Firm—George B. Newitt

[57] CLAIM

The ornamental design of a ski pole, as shown and described.

DESCRIPTION

FIG. 1 is a perspective view of a ski pole showing my new design;  
FIG. 2 is a front elevational view thereof shown partially in fragment on an enlarged scale;  
FIG. 3 is a rear elevational view of FIG. 2 shown partially in fragment;  
FIG. 4 is a cross-sectional view taken along the line 4-4 of FIG. 2; and  
FIG. 5 is a bottom plan view of the lower portion of FIG. 2 taken along the line 5-5.

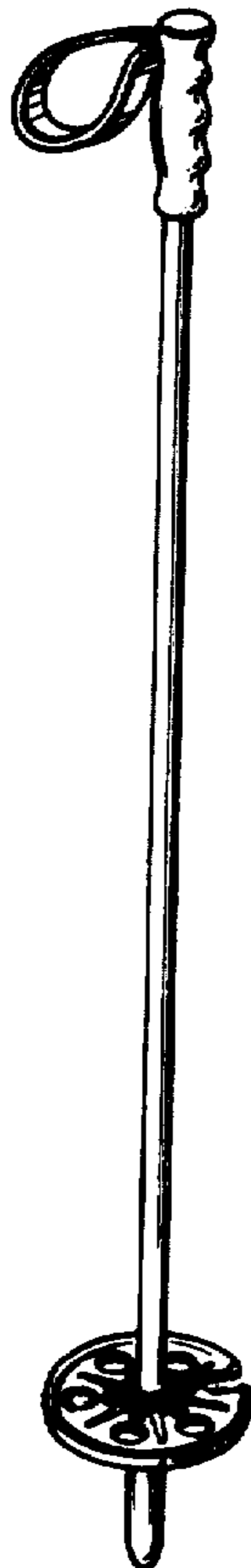


Fig. 1

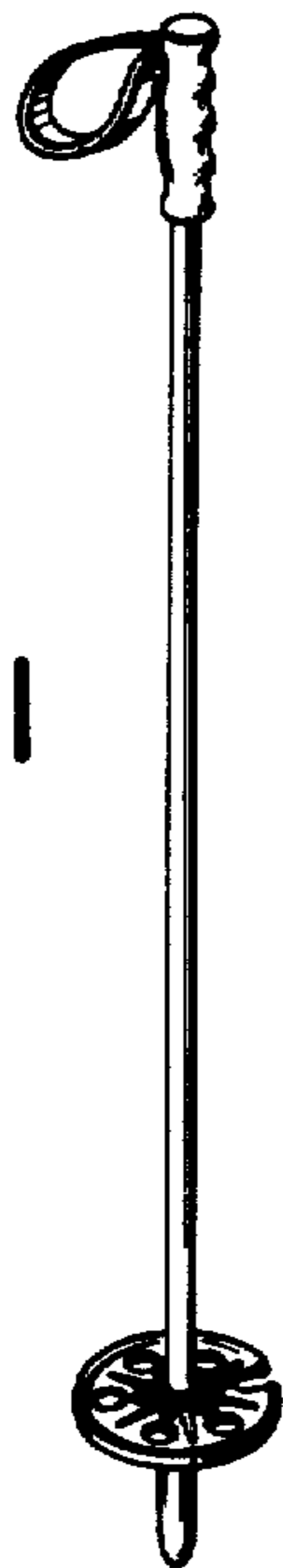


Fig. 2

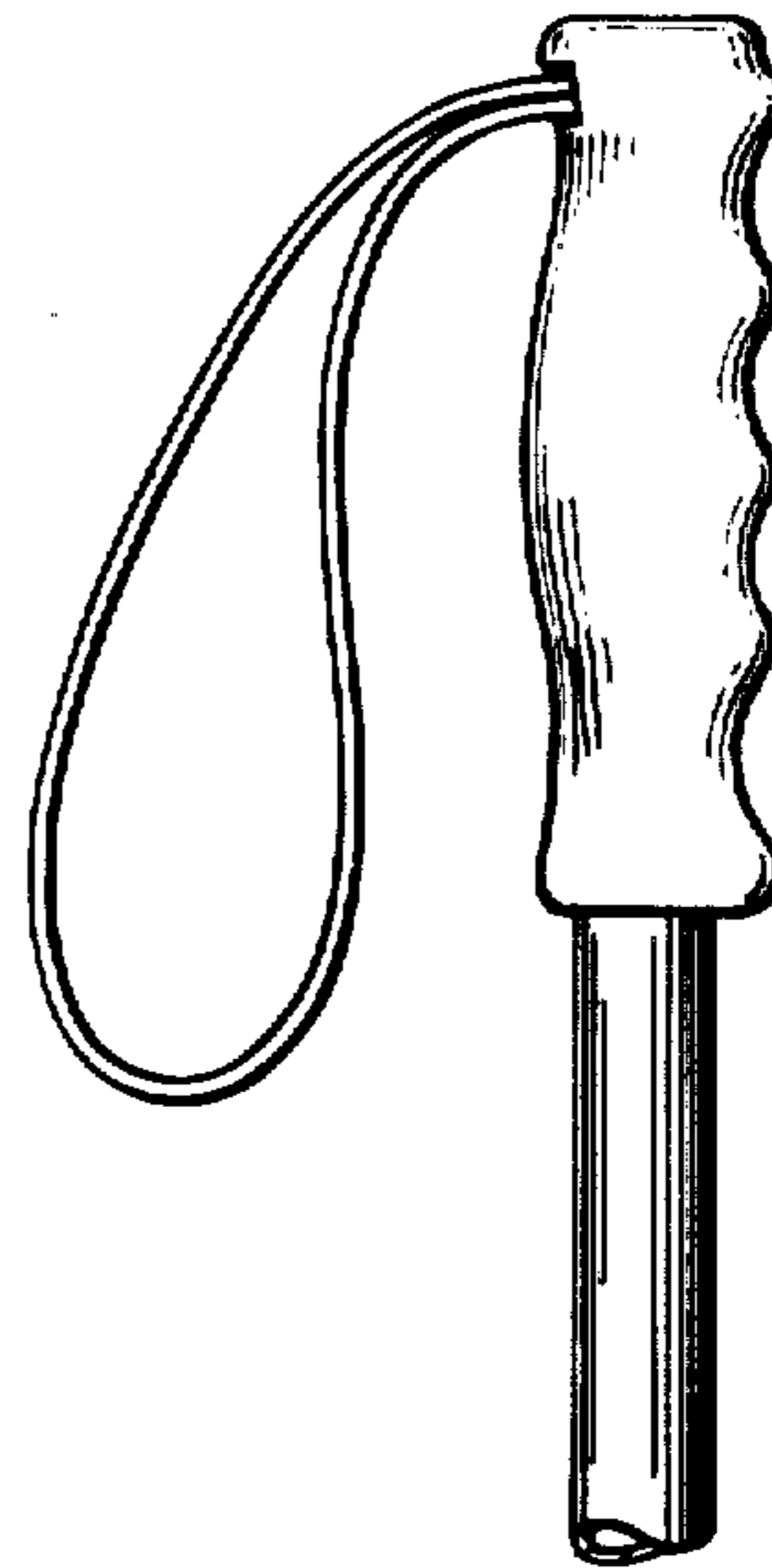


Fig. 3

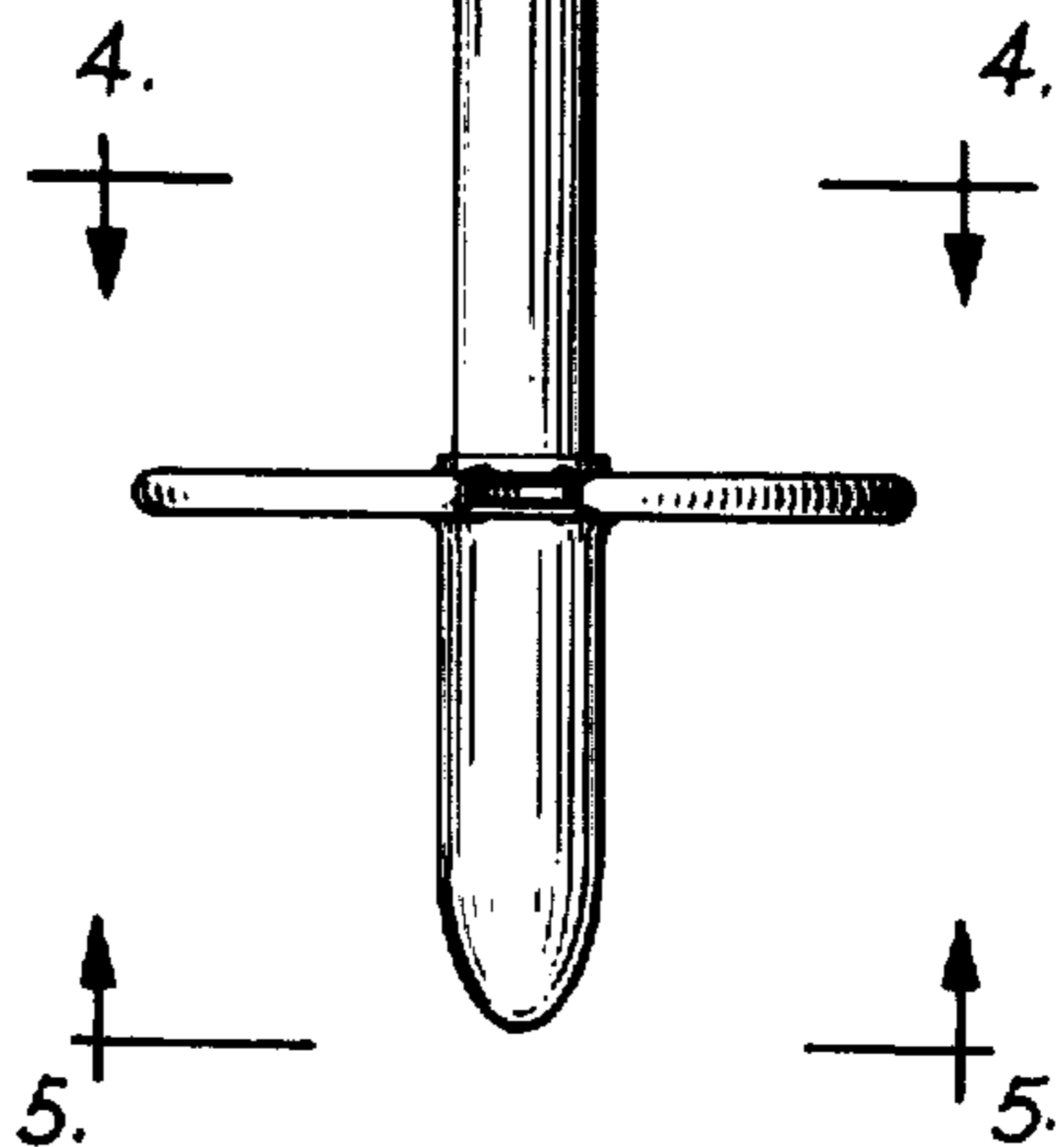
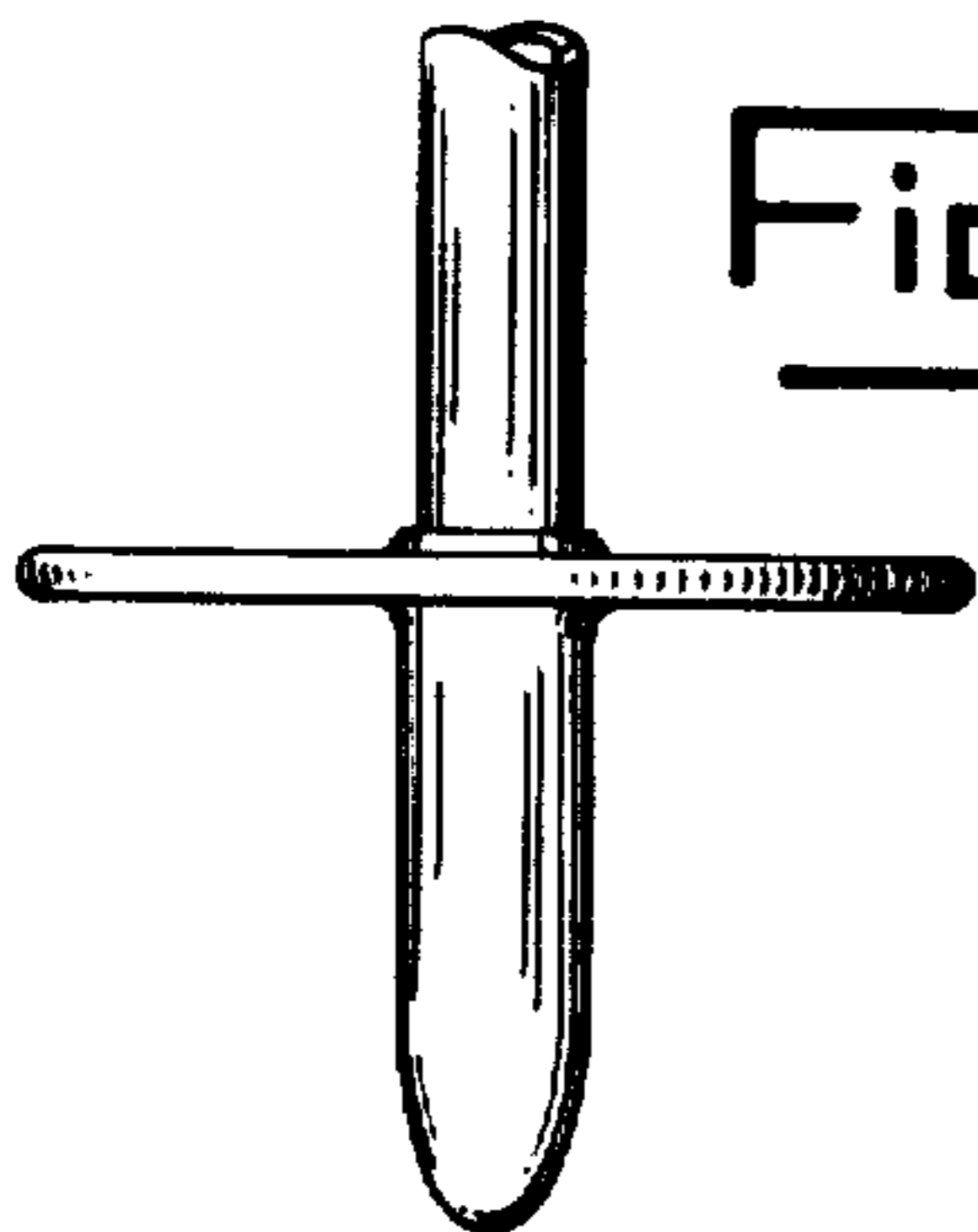


Fig. 4

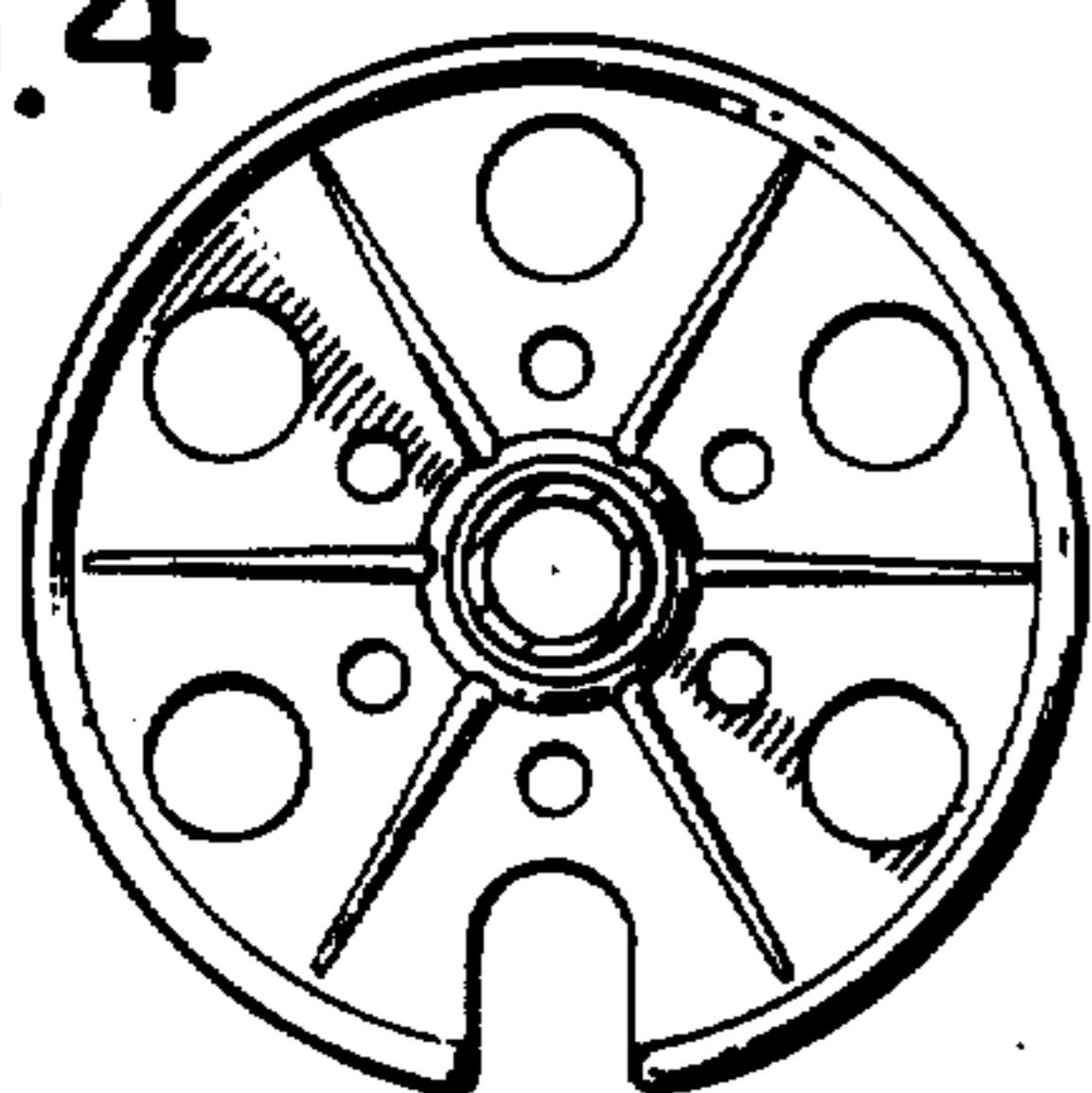


Fig. 5

