

[54] SNOW SKI

[75] Inventor: Jeffrey M. Koblick, Hennepin County, Minn.

[73] Assignee: K-tel International, Inc., Minn.

[\*\*] Term: 14 Years

[21] Appl. No.: 617,389

[22] Filed: Sept. 29, 1975

[51] Int. Cl. .... D21-02

[52] U.S. Cl. .... D34/14 D

[58] Field of Search ..... D34/5 K, 14 D, 14 E, D34/14 S, 14 A, 40; 272/79 R; 280/11.37 R, 11.37 Z, 11.37 D, 11.37 H, 11.37 N, 11.35, 11.35 T, 11.35 B, 600, 623, 617, 625, 626, D12/6, 8, 9, 10, 11

[56] References Cited

U.S. PATENT DOCUMENTS

D. 95,466 4/1935 Stone ..... 280/600  
D. 232,044 7/1974 King ..... D34/14 D

OTHER PUBLICATIONS

Ampell Playtime Products Flier, Mar. 1969, "Ski-l-Ski", model at bottom of page.  
Design News, June 1965, p. 196, Ski.

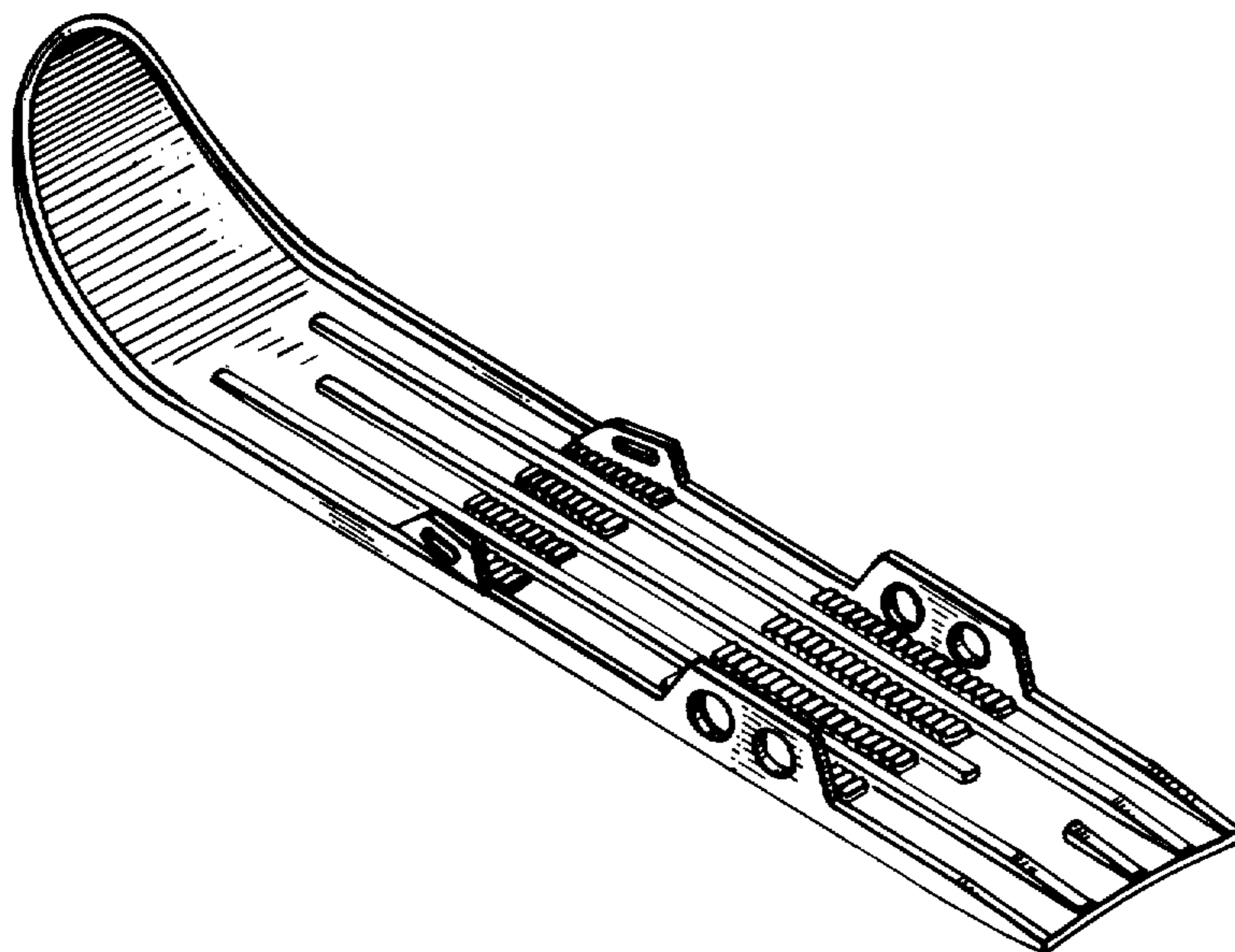
Primary Examiner—Joel Stearman  
Assistant Examiner—C. A. Rademaker  
Attorney, Agent, or Firm—George B. Newitt

[57] CLAIM

The ornamental design for a snow ski, as shown and described.

DESCRIPTION

FIG. 1 is a perspective view of a snow ski showing my new design;  
FIG. 2 is a front elevational view thereof;  
FIG. 3 is a rear elevational view thereof;  
FIG. 4 is a right side elevational view thereof, the left side being substantially a mirror image;  
FIG. 5 is a top plan view; and  
FIG. 6 is a bottom plan view.



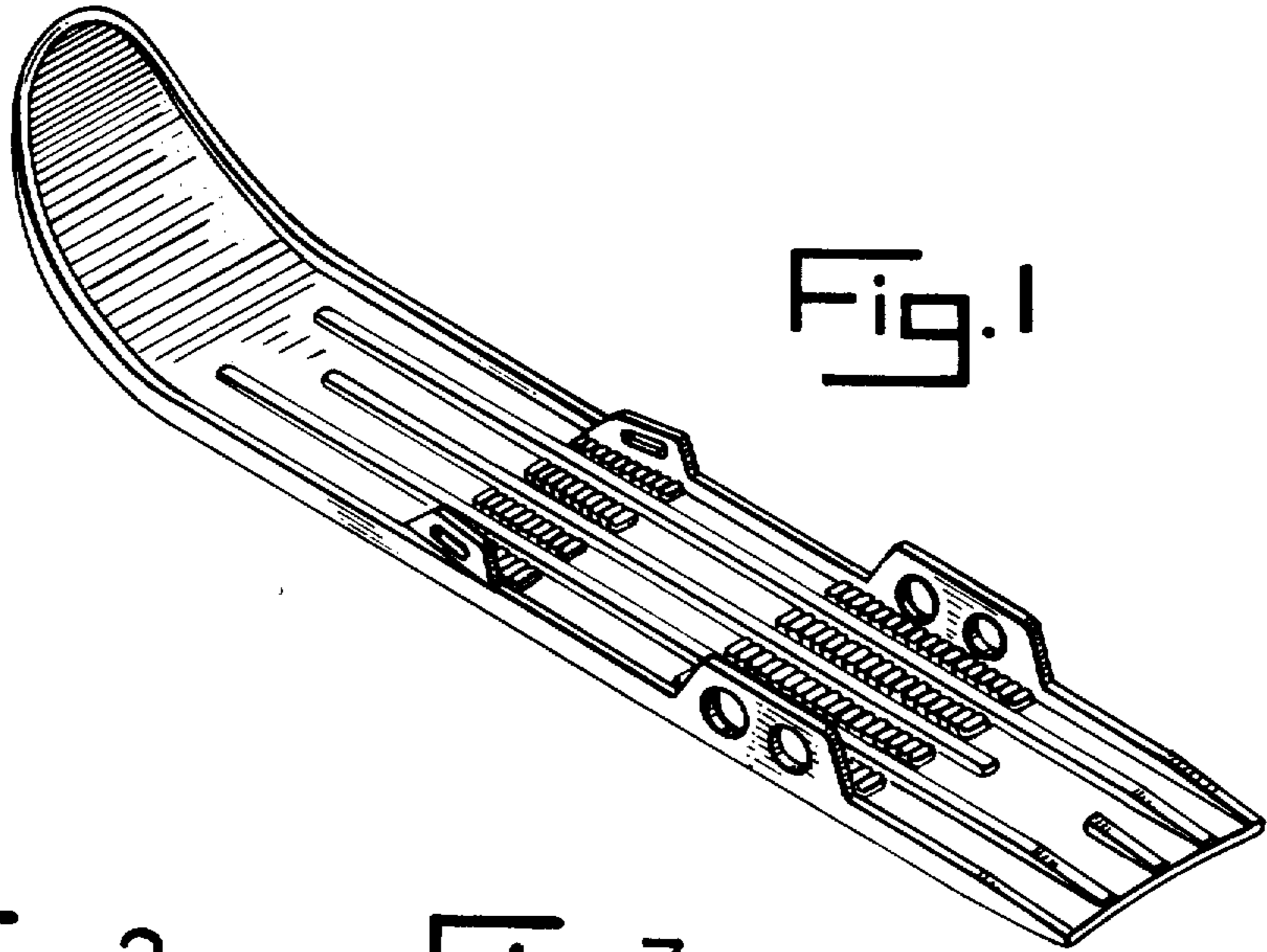


Fig. 1

Fig. 2

Fig. 3

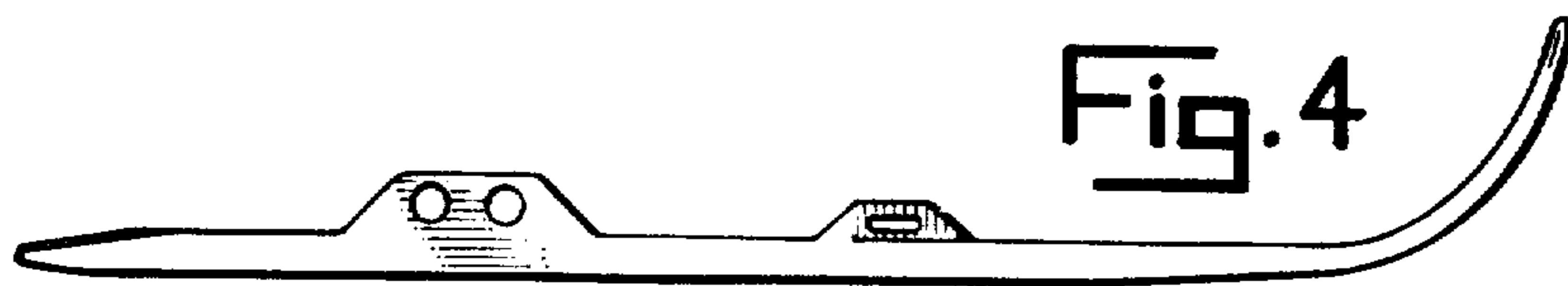
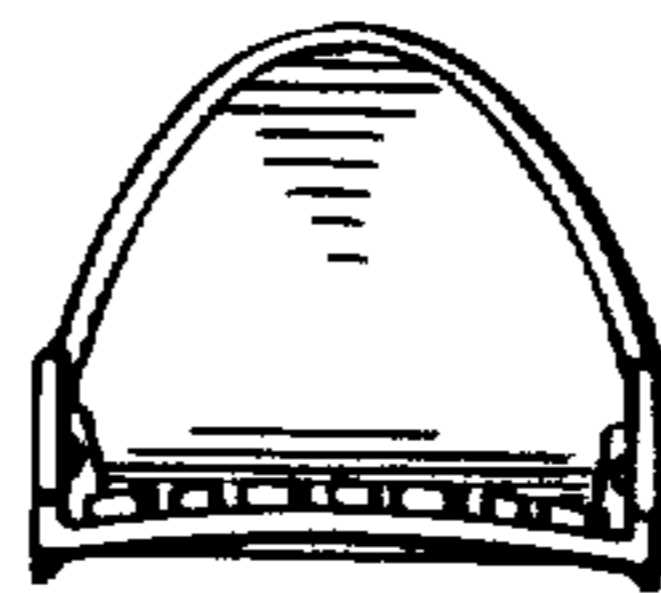
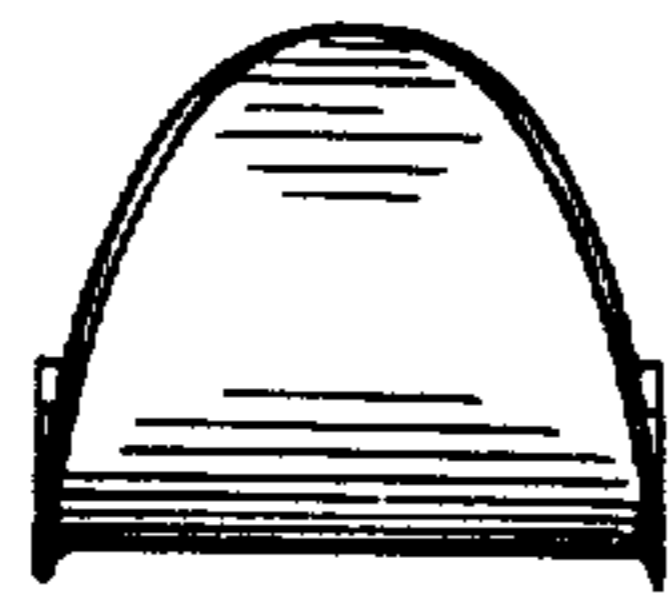


Fig. 4

Fig. 5

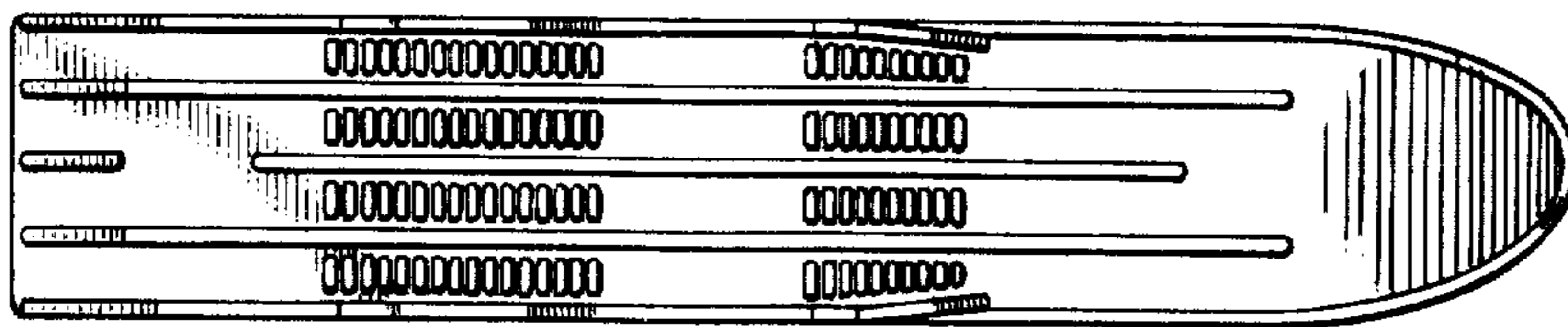


Fig. 6

