

[54] SMOKING PIPE WITH SWIVEL STEM

[76] Inventor: David Segal, 906 Gordon Terrace, Winnetka, Ill. 60093

[**] Term: 7 Years

[21] Appl. No.: 610,620

[22] Filed: Sept. 5, 1975

[51] Int. Cl. D27-02

[52] U.S. Cl. D27/3

[58] Field of Search D27/2-5, D27/7; 131/170 R, 170 A, 171 R, 171 A, 178, 192, 194, 222, 225-227, 229

[56] References Cited

U.S. PATENT DOCUMENTS

924,418 6/1909 Berg D27/2 X

D. 2,304 5/1866 Saarback D27/3
D. 2,505 11/1866 Harvey D27/5
D. 9,278 5/1876 Harris D27/5

Primary Examiner—Joel Stearman
Assistant Examiner—Louis S. Zarfes
Attorney, Agent, or Firm—Gerald M. Newman

[57] CLAIM

The ornamental design for a smoking pipe with swivel stem, or similar article as shown and described.

DESCRIPTION

FIG. 1 is a right side elevational view of a smoking pipe with swivel stem or similar article showing my new design, the left side being a mirror image thereof; FIG. 2 is a top plan view thereof; and FIG. 3 is a front elevational view of the bowl and neck.

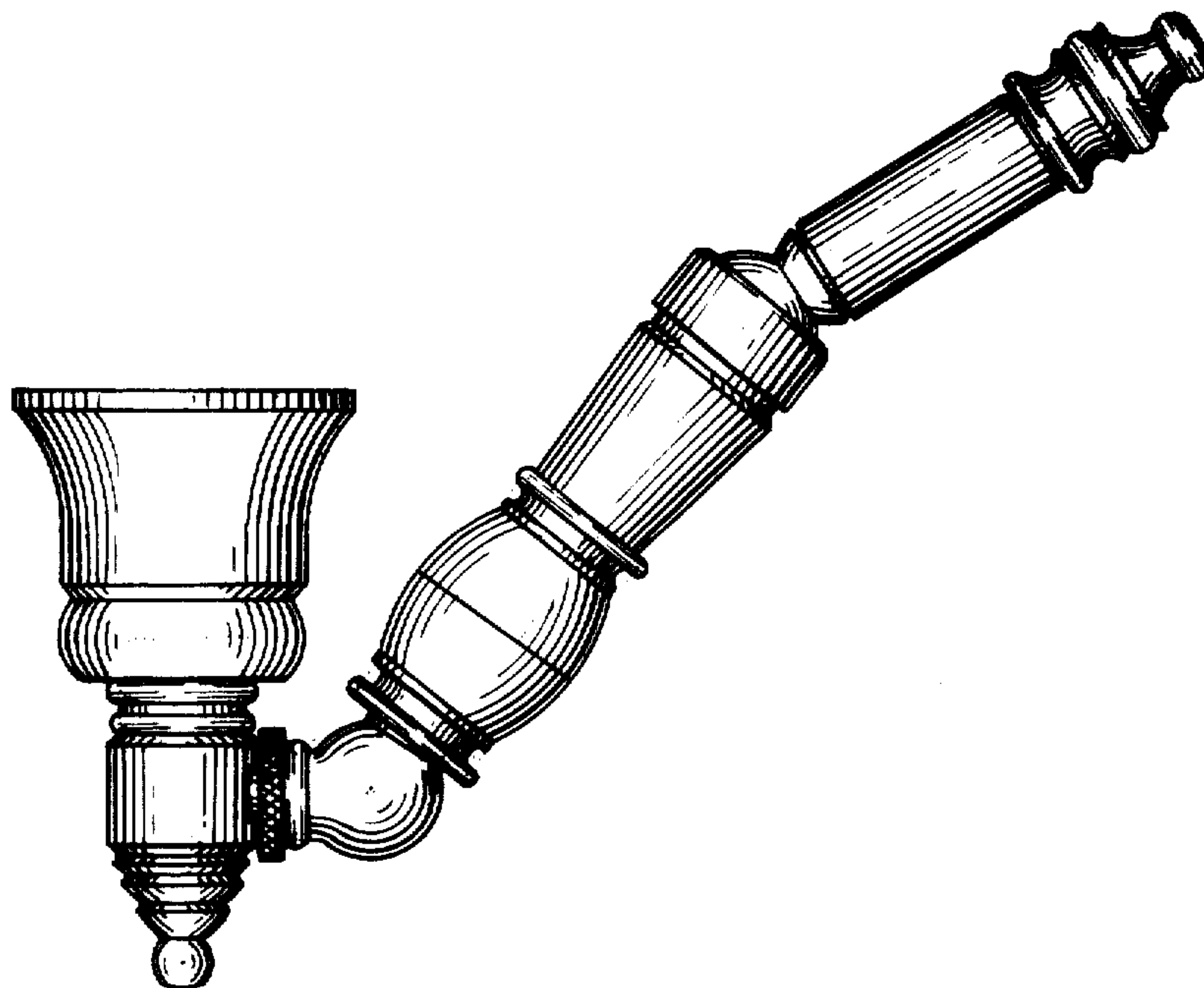


Fig. 1.

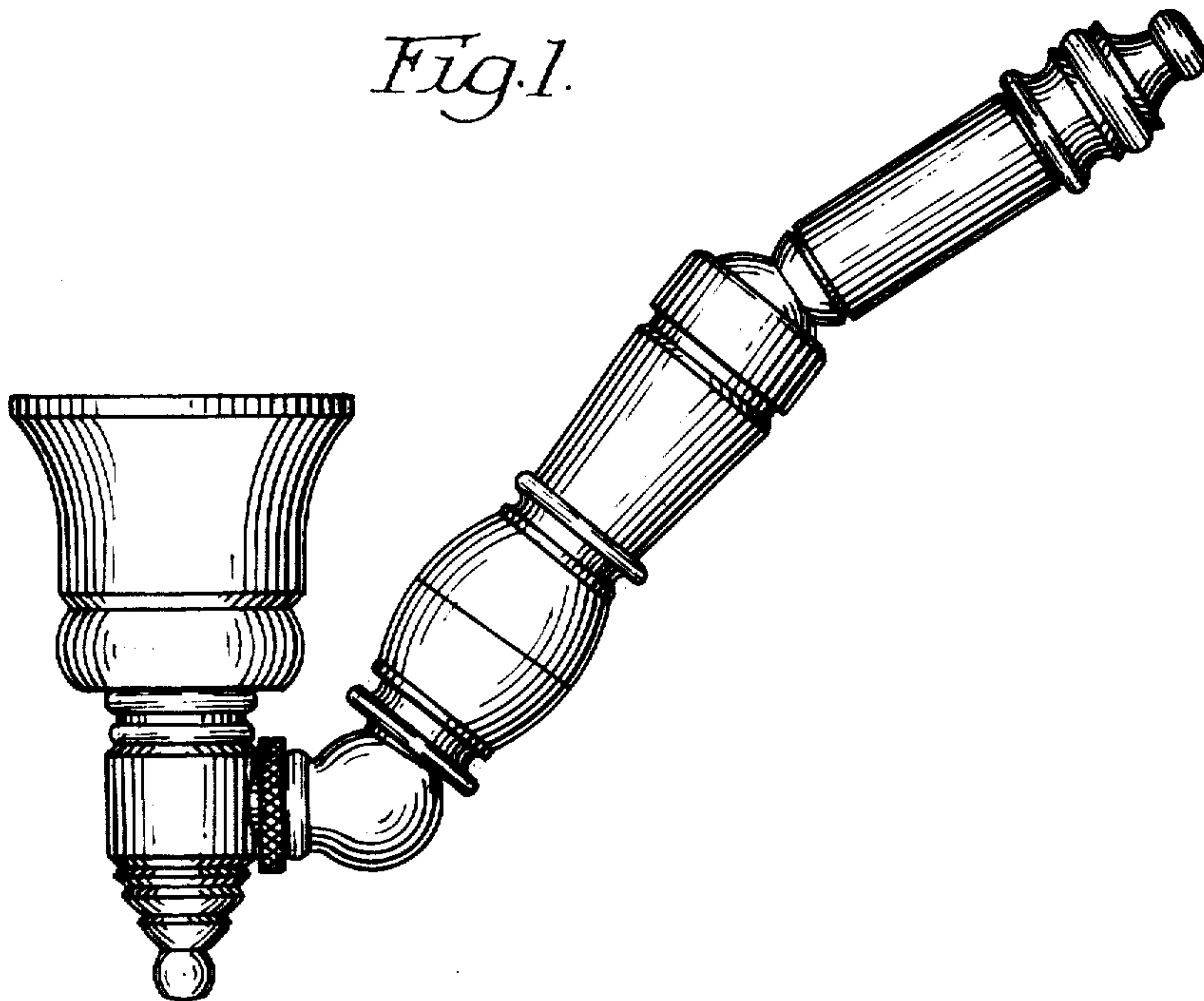


Fig. 2.

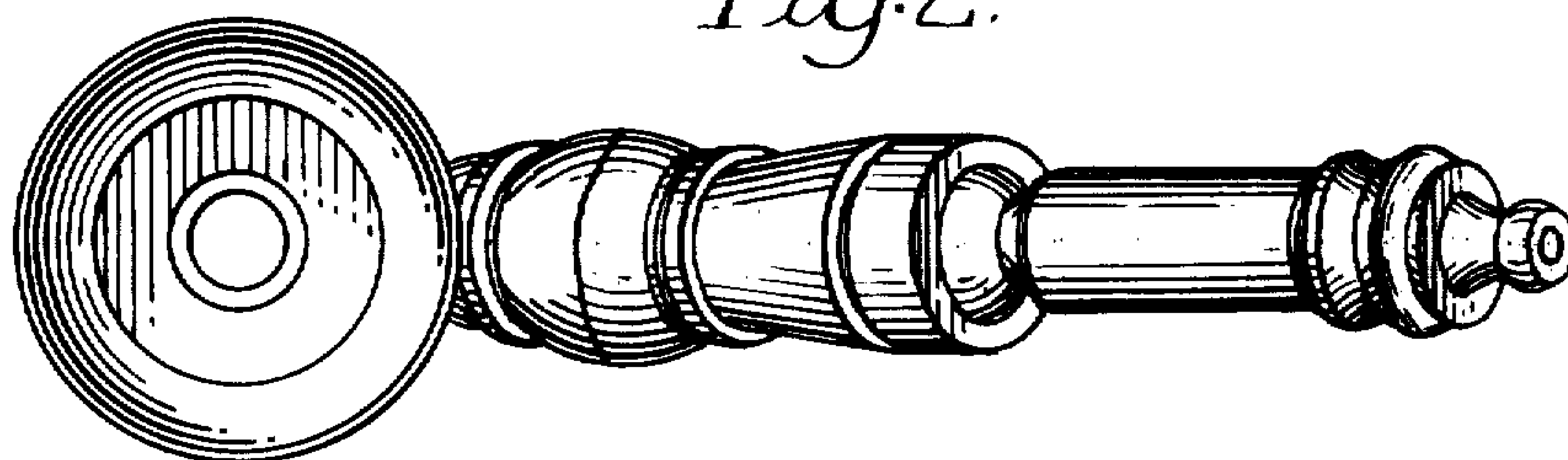


Fig. 3.

