

[54] **MULTIPLE CONVERGENCE REFLECTIVE LINEAR OPTICAL AND RECEIVER PLATE FOR SOLAR CONVERSION OR THE LIKE**

[76] Inventor: **Will Clarke England**, 7310 Eastcrest Drive, Austin, Tex. 78752

[**] Term: **14 Years**

[21] Appl. No.: **636,761**

[22] Filed: **Dec. 1, 1975**

[51] Int. Cl. **D13-02; D26-05**

[52] U.S. Cl. **D26/1 R**

[58] **Field of Search** **D26/1 R; D48/16 A, 32 A; D25/72, 73; 350/292, 293, 167; 240/106 R, 106.1; 126/270; 136/206**

[56] **References Cited**

U.S. PATENT DOCUMENTS

2,690,463	9/1954	Clevett et al.	136/206
2,850,110	9/1958	Benjamin	D48/16 A UX
3,376,165	4/1968	Abbot	350/293 UX

3,548,041 12/1970 Steding 350/167 UX

Primary Examiner—Susie J. Mercer

Attorney, Agent, or Firm—Will Clarke England

[57] **CLAIM**

The ornamental design for a multiple convergence reflective linear optical and receiver plate for solar conversion or the like, substantially as shown and described.

DESCRIPTION

FIG. 1 is a perspective view of a multiple convergence reflective linear optical and receiver plate for solar conversion or the like showing my new design.

FIG. 2 is a perspective view of a second embodiment of my new design.

FIG. 3 is a perspective view of a third embodiment.

FIG. 4 is a perspective view of a fourth embodiment.

The underside of each embodiment is plain. The plate of each embodiment is understood to have indeterminate length.

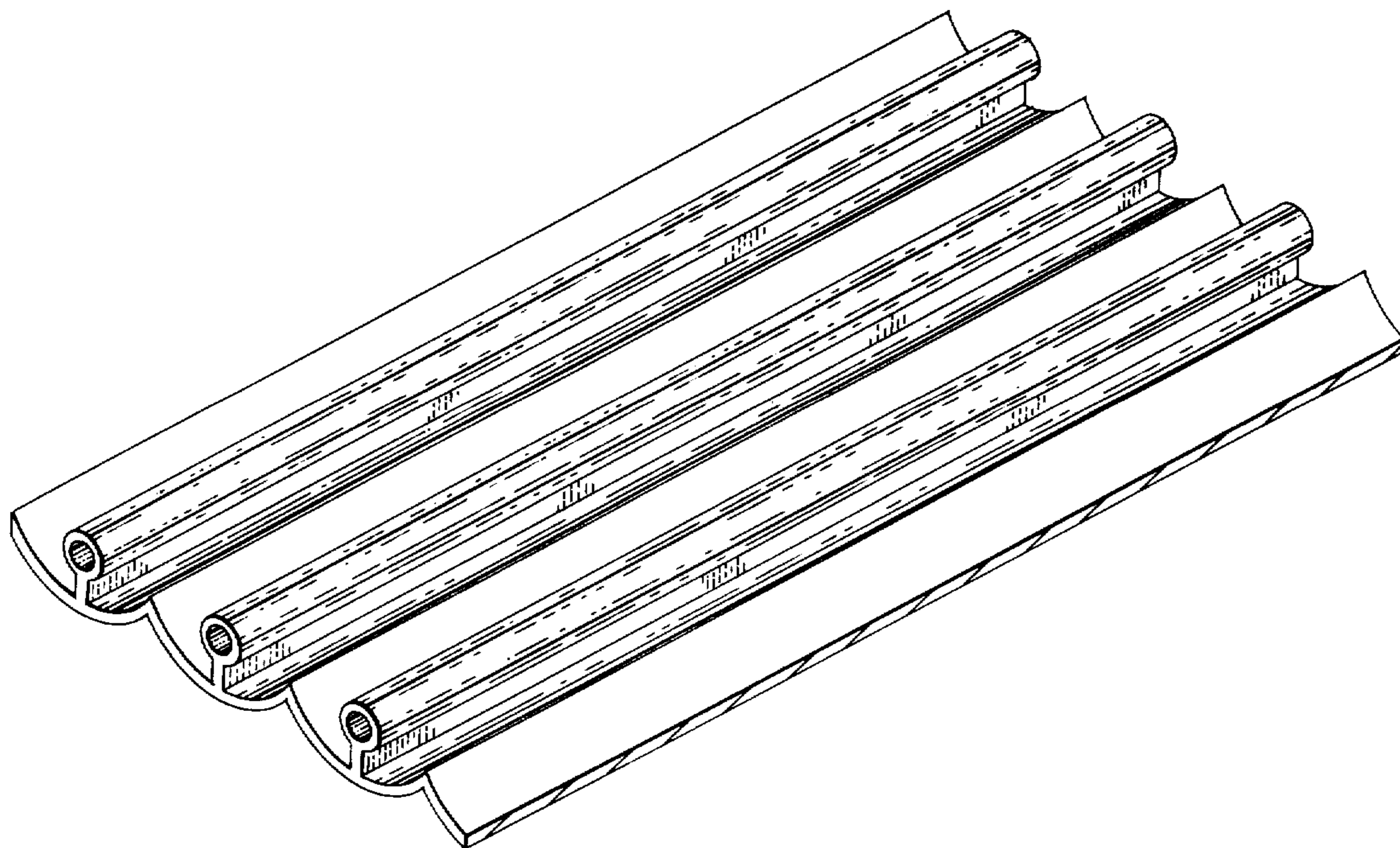


Fig. 1

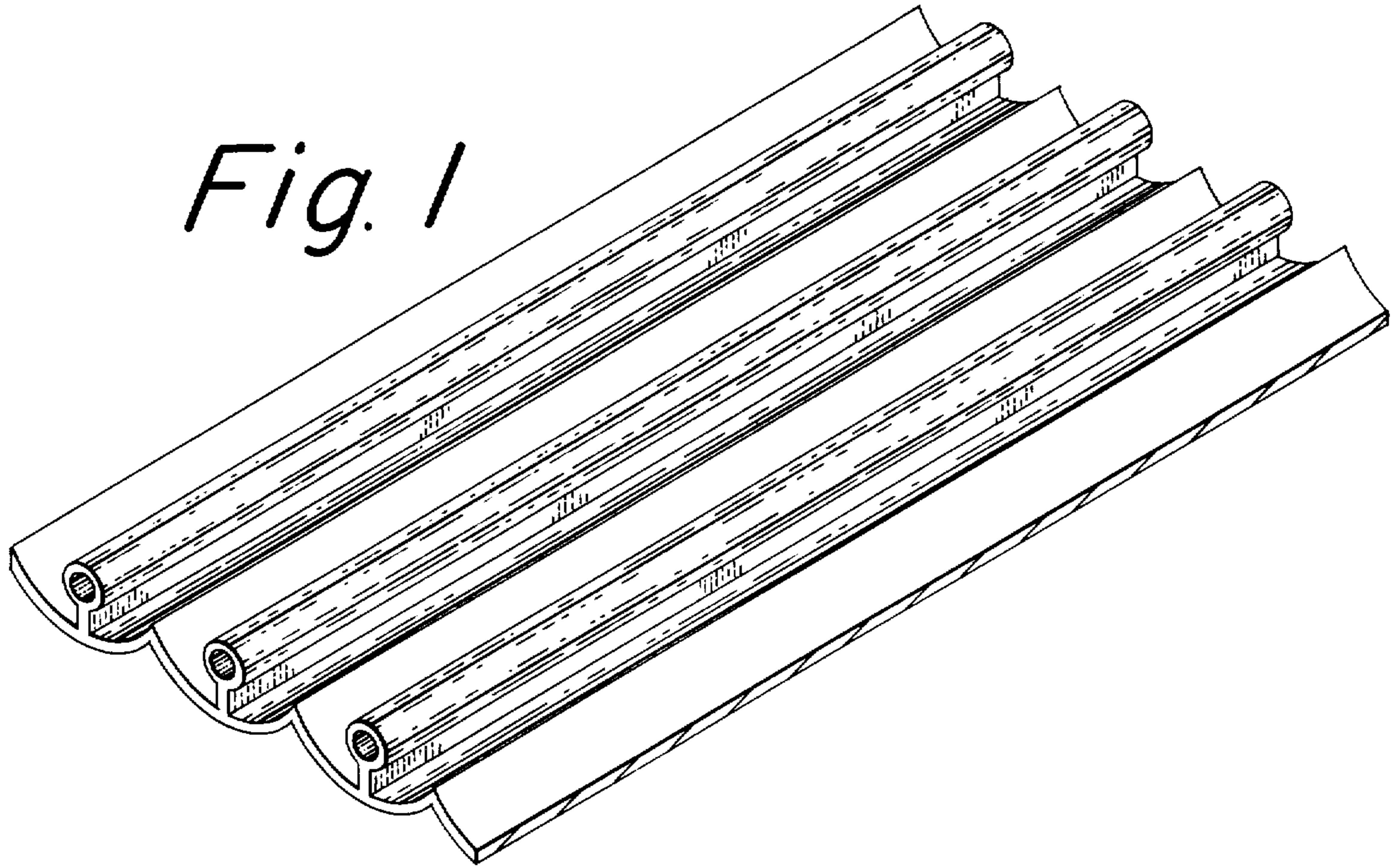


Fig. 2

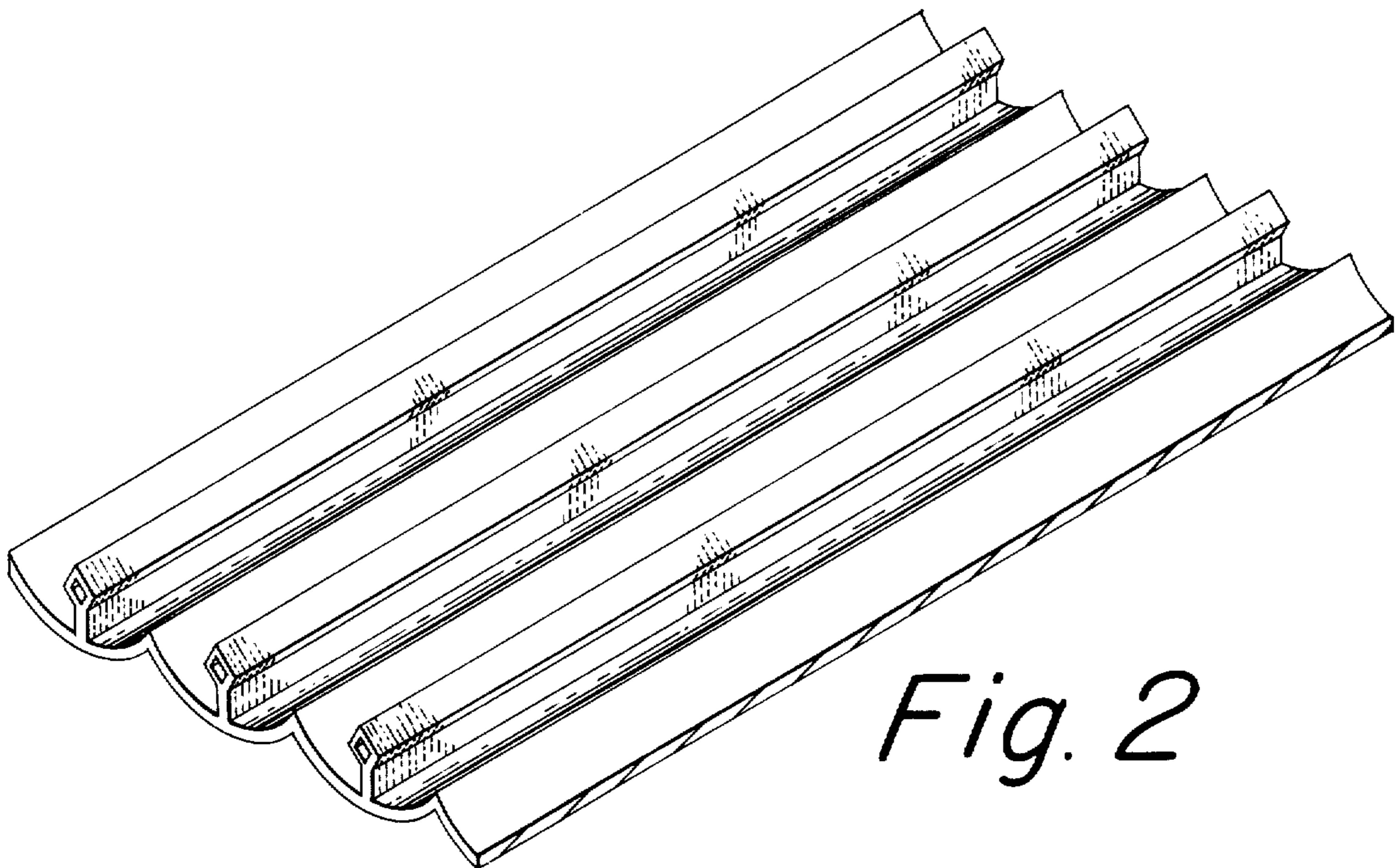


Fig. 3

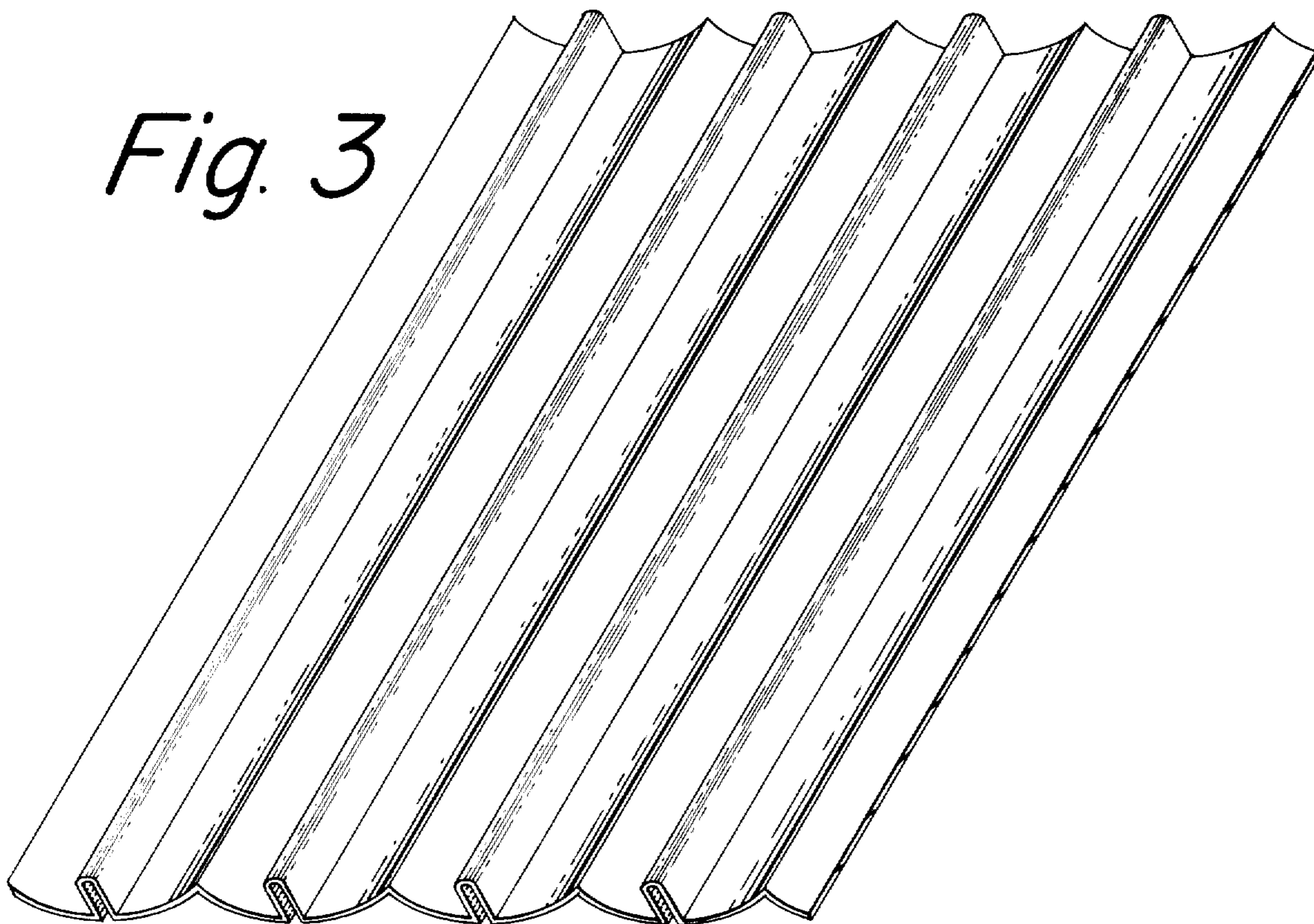


Fig. 4

