

[54] COMBINED BLOWER AND MOTOR WITH SPEED REDUCTION MEANS THEREFOR

[75] Inventors: Mutunori Nagao, Katano; Mitsuaki Utsumi, Moriguchi, both of Japan

[73] Assignee: Matsushita Electric Industrial Co., Ltd., Kadoma, Japan

[\*\*] Term: 14 Years

[21] Appl. No.: 418,653

[22] Filed: Nov. 23, 1973

[51] Int. Cl. .... D23-04; D13-01

[52] U.S. Cl. .... D23/162

[58] Field of Search .... D26/5 A; D23/162; 417/423 R

[56] References Cited

U.S. PATENT DOCUMENTS

2,970,746 2/1961 Rowe ..... 417/423 R X  
3,371,612 3/1968 Aller ..... 412/423 R

FOREIGN PATENT DOCUMENTS

1,311,208 10/1962 France ..... 417/423  
1,105,100 4/1961 Germany ..... 417/423

Primary Examiner—Susie J. Mercer  
Attorney, Agent, or Firm—Eric H. Waters

[57] CLAIM

The ornamental design for a combined blower and motor with speed reduction means therefor, as shown.

DESCRIPTION

FIG. 1 is a top plan view of a combined blower and motor with speed reduction means therefor showing our new design;

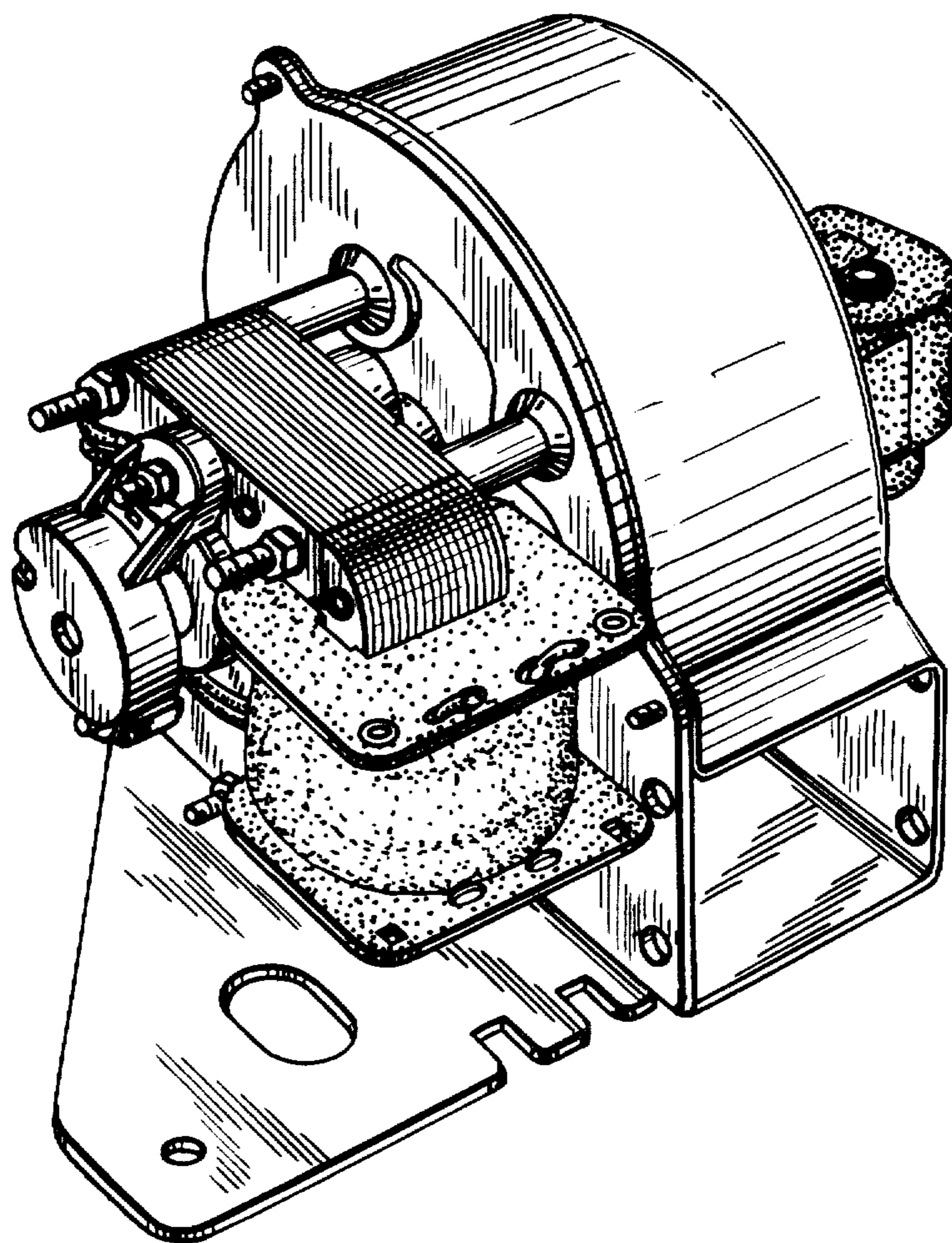
FIG. 2 is a bottom plan view thereof;

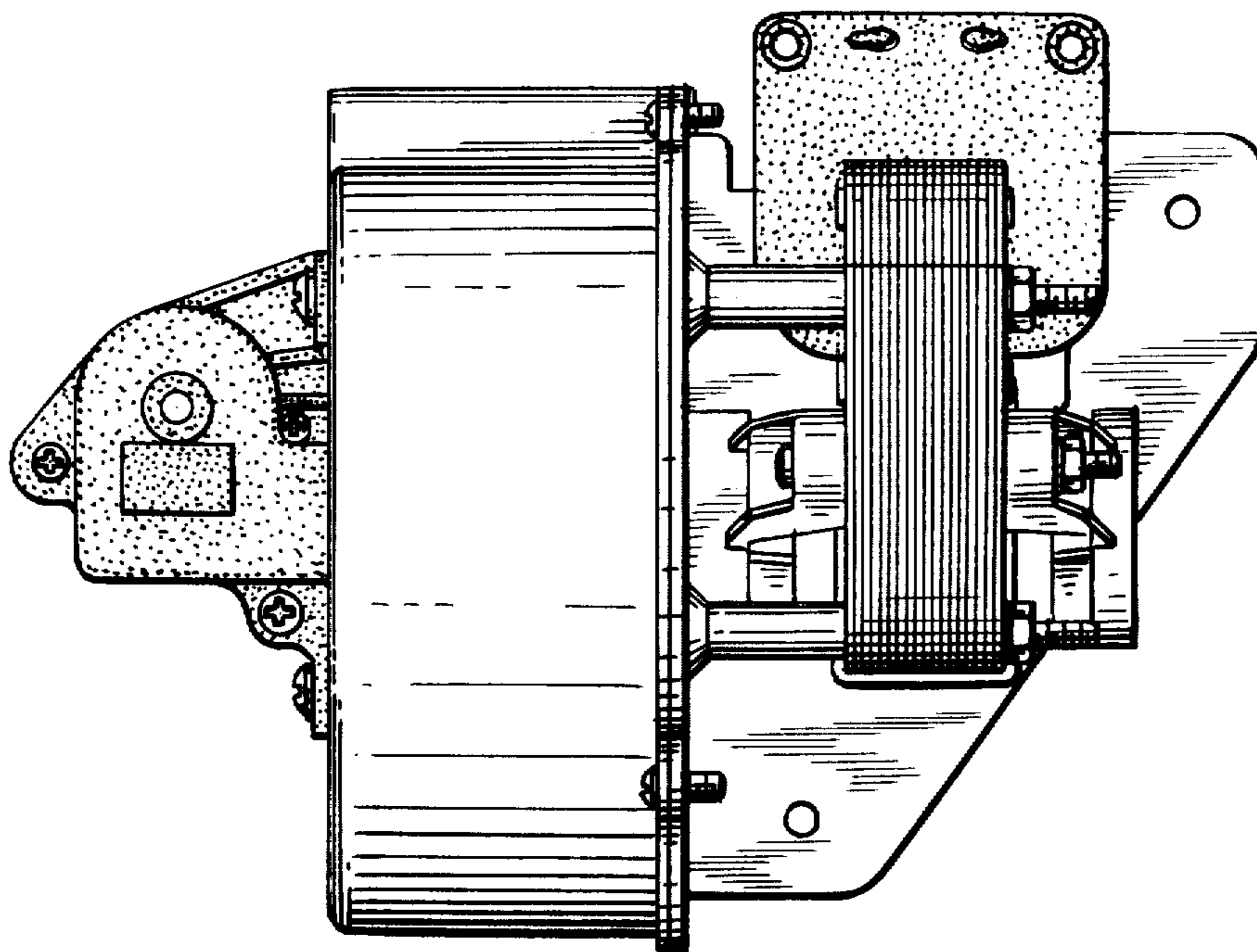
FIG. 3 is a side elevational view thereof;

FIG. 4 is another side elevational view thereof;

FIG. 5 is a front perspective view thereof; and

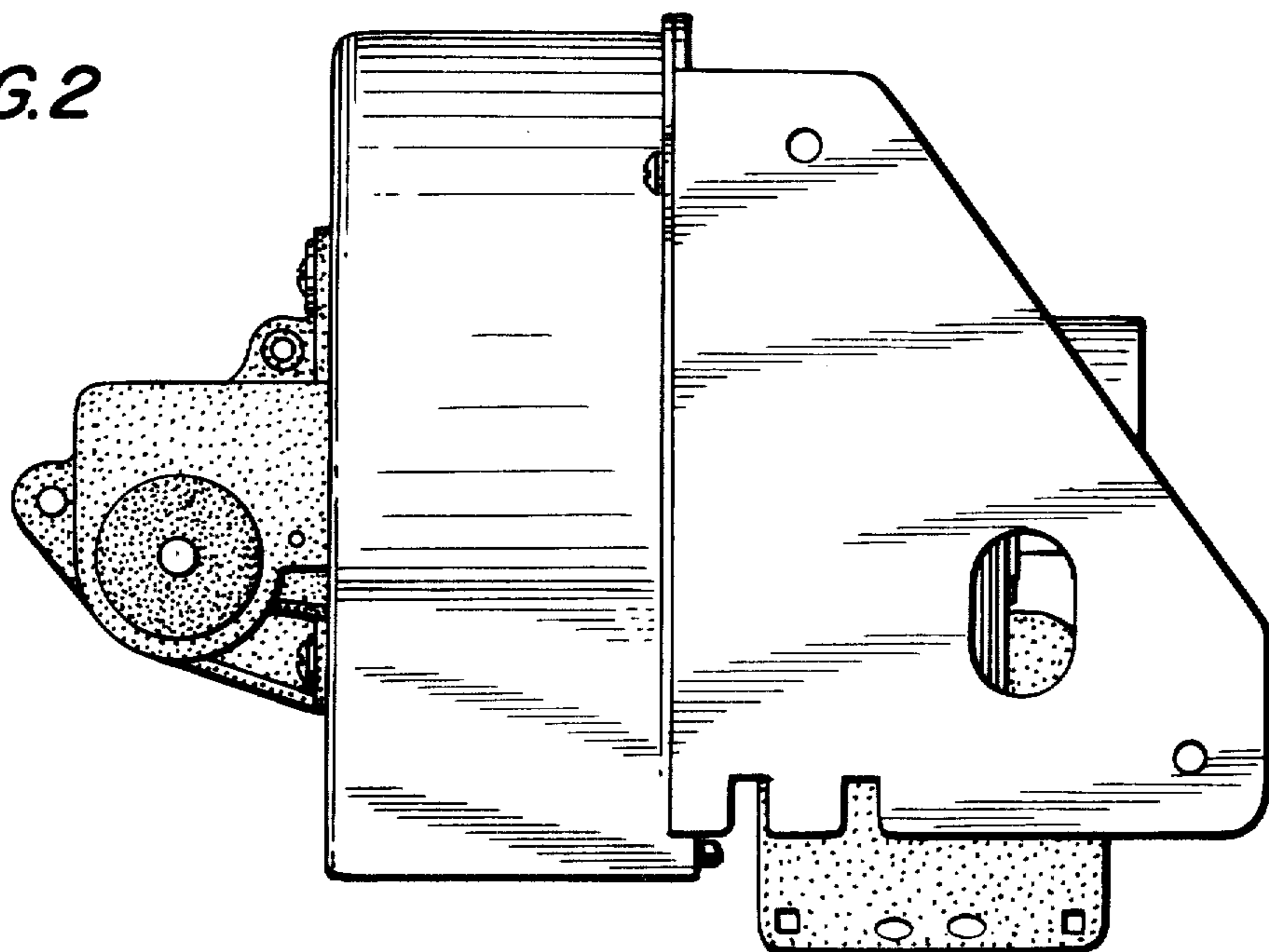
FIG. 6 is a rear perspective view thereof.



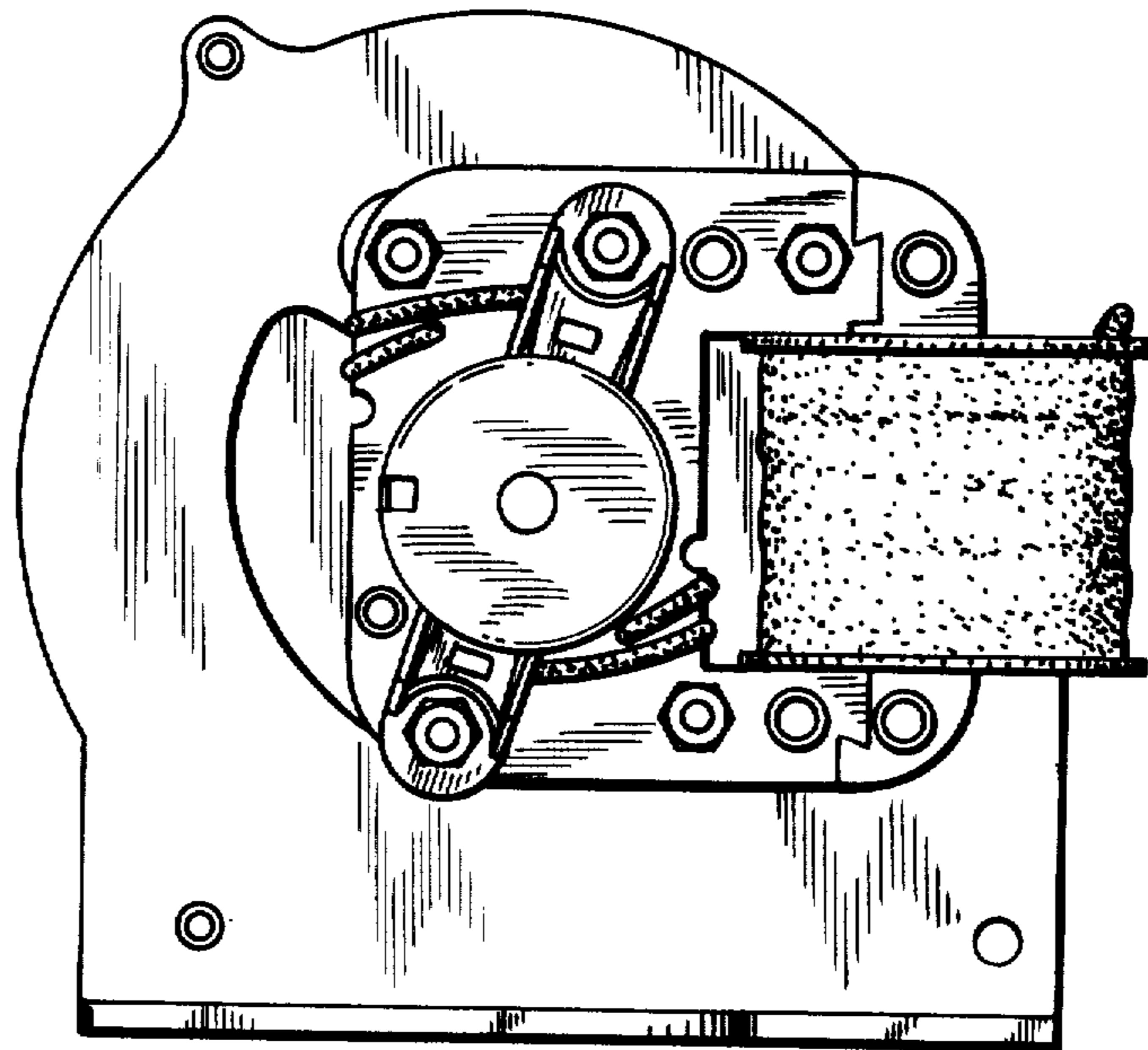


*FIG. 1*

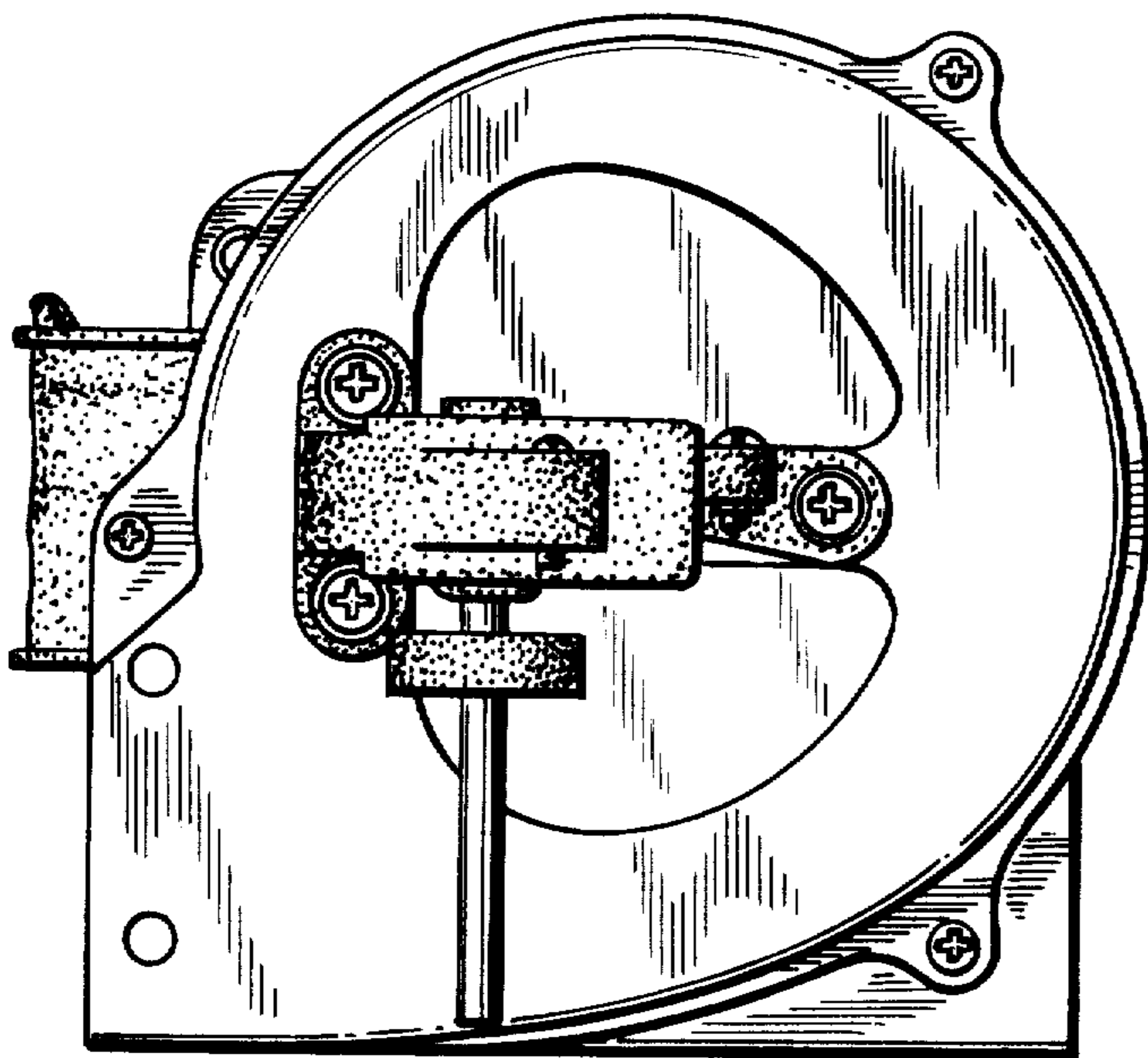
*FIG. 2*



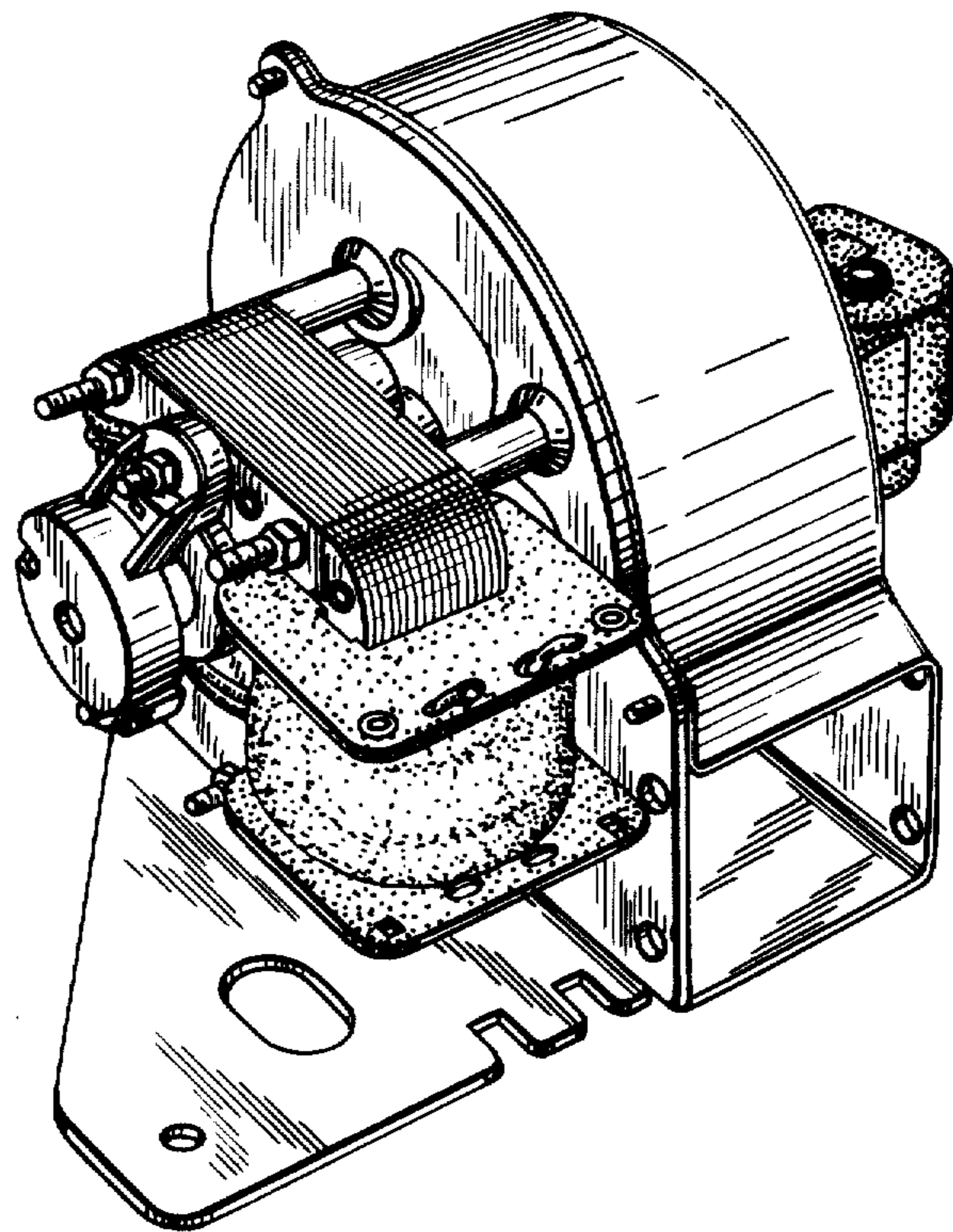
**FIG. 3**



**FIG. 4**



*FIG. 5*



*FIG. 6*

