

- [54] SINK
- [75] Inventor: Donald W. Doman, Janesville, Wis.
- [73] Assignee: Kohler Co., Kohler, Wis.
- [\*\*] Term: 14 Years
- [21] Appl. No.: 562,441
- [22] Filed: Mar. 27, 1975
- [51] Int. Cl. .... D23-02
- [52] U.S. Cl. .... D23/58
- [58] Field of Search ..... D23/23-33,  
D23/58-64; 312/228, 229; 4/166, 187, 189

[56] **References Cited**  
**OTHER PUBLICATIONS**

House & Home, Dec. 1959, p. 211, items at bottom of page.

Institutions, June 1963, p. 112, "Guest Room Sink," item.

House & Home, Sept. 1963, p. 152.

*Primary Examiner*—James R. Largen  
*Attorney, Agent, or Firm*—William D. Sabo

[57] **CLAIM**

The ornamental design for a sink, as shown and described.

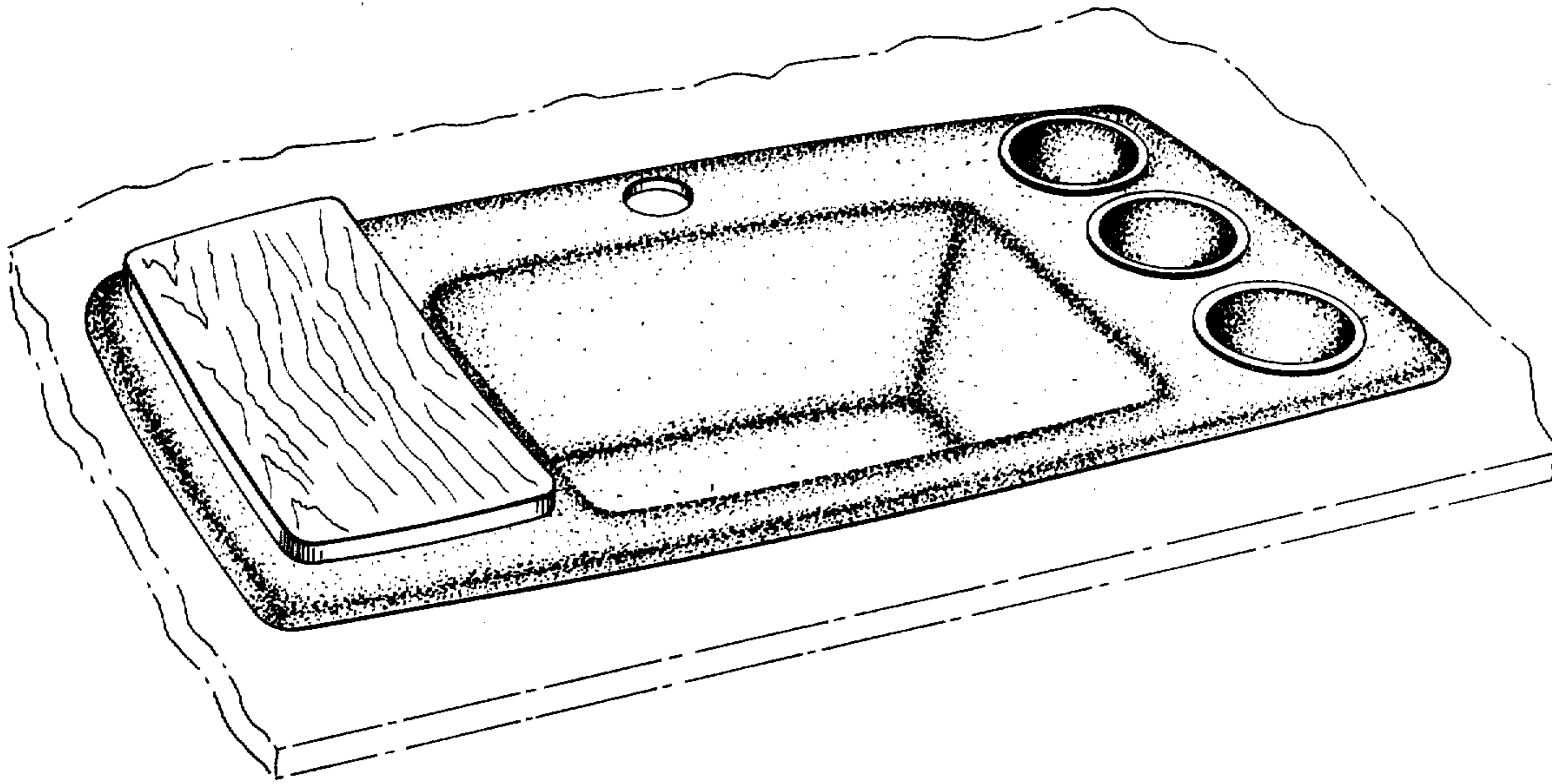
**DESCRIPTION**

FIG. 1 is a perspective view of a sink showing my new design;

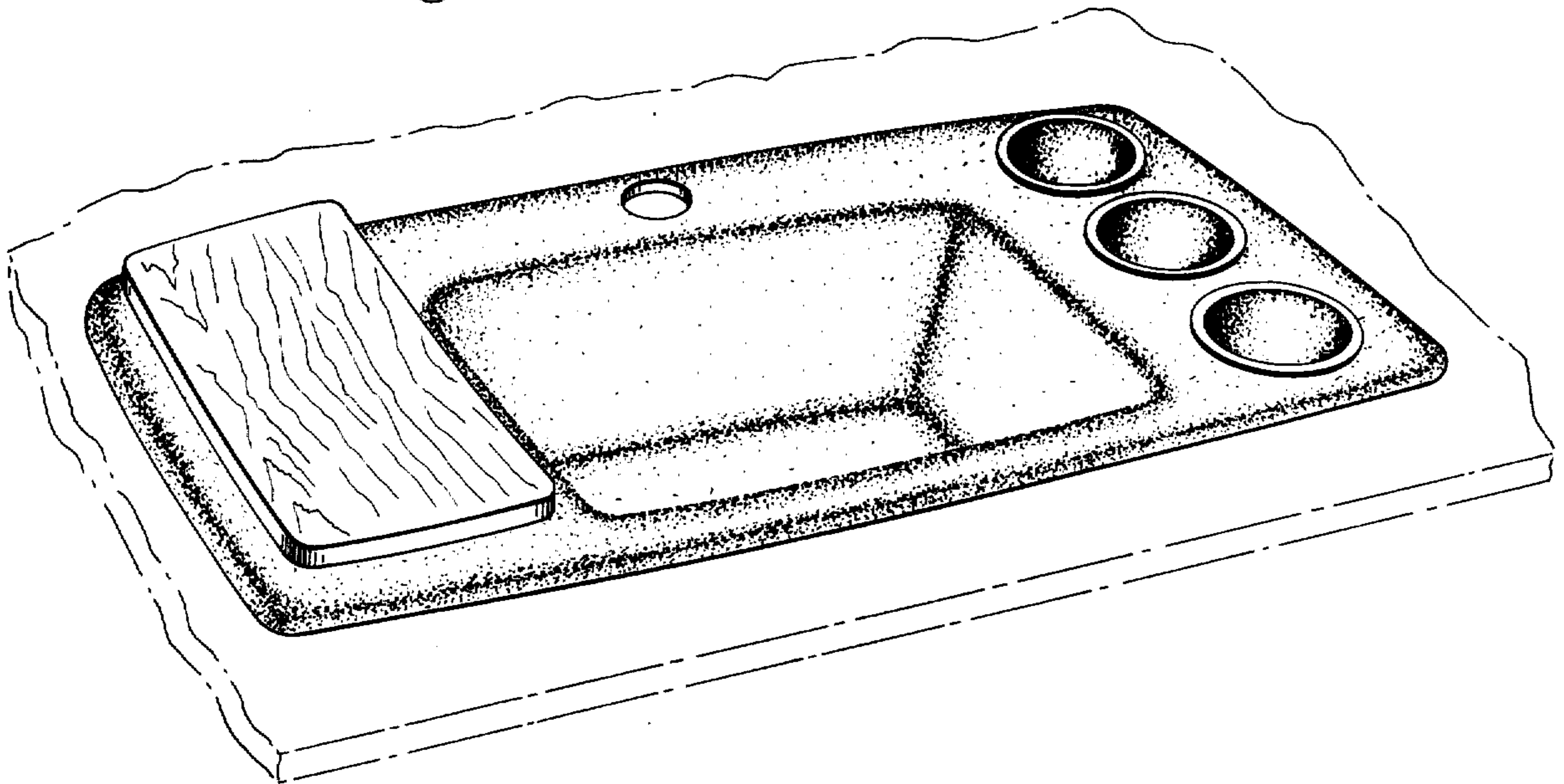
FIG. 2 is a top plan view thereof;

FIG. 3 is a cross sectional view taken on line 3-3 of FIG. 2; and

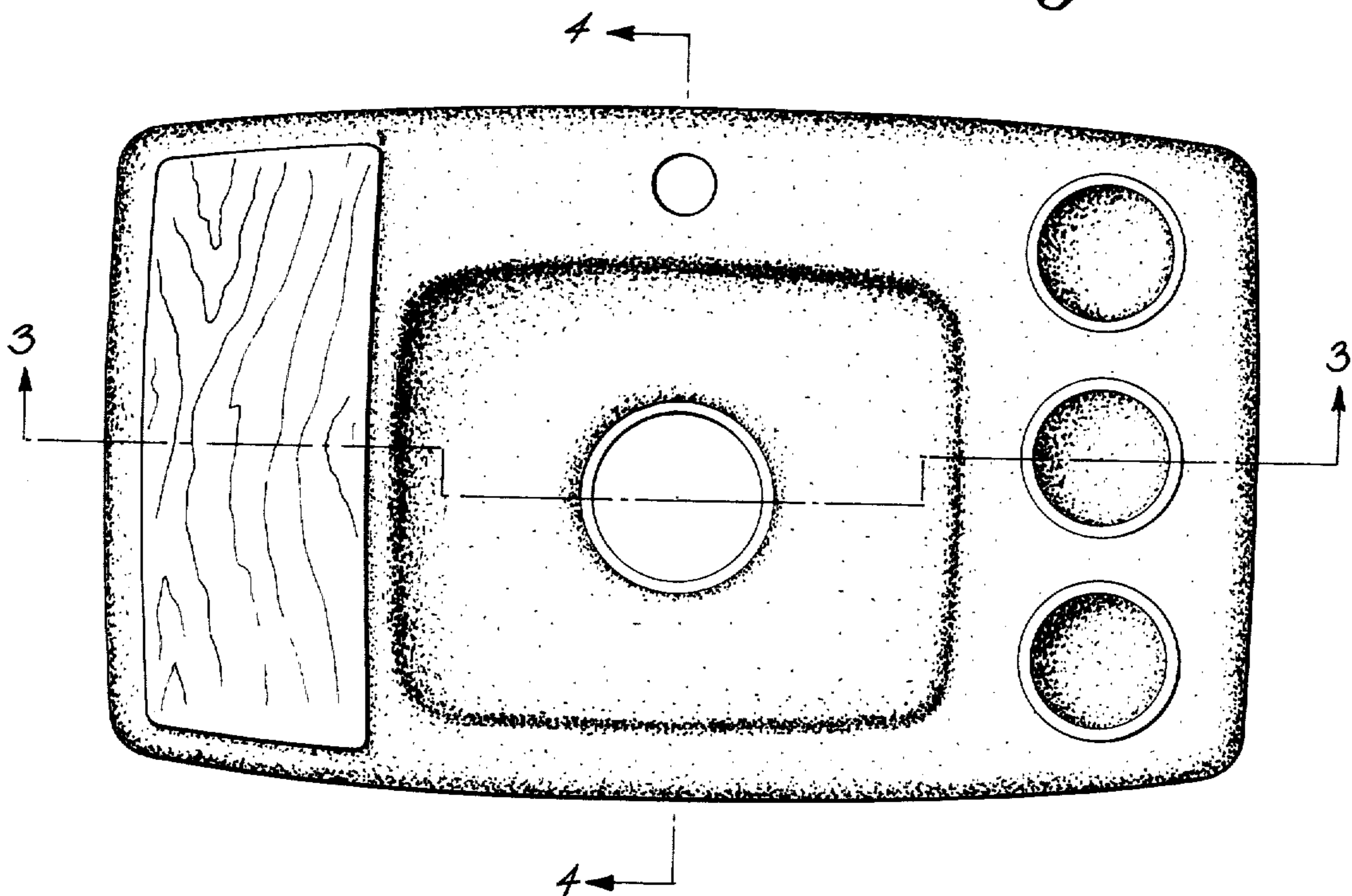
FIG. 4 is a cross sectional view taken on line 4-4 of FIG. 2.

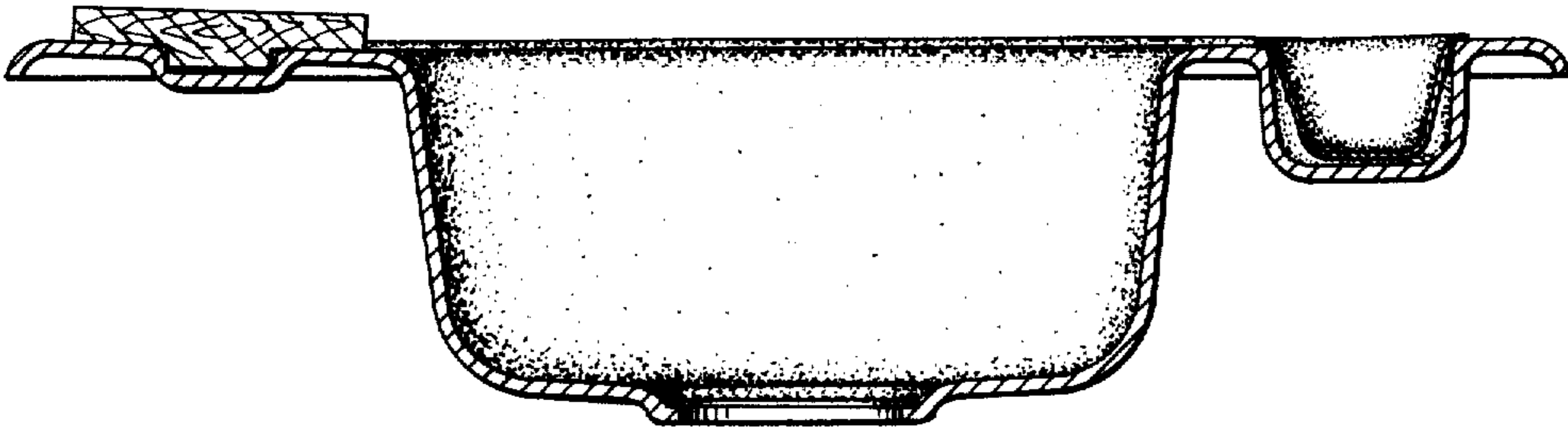


*Fig. 1*

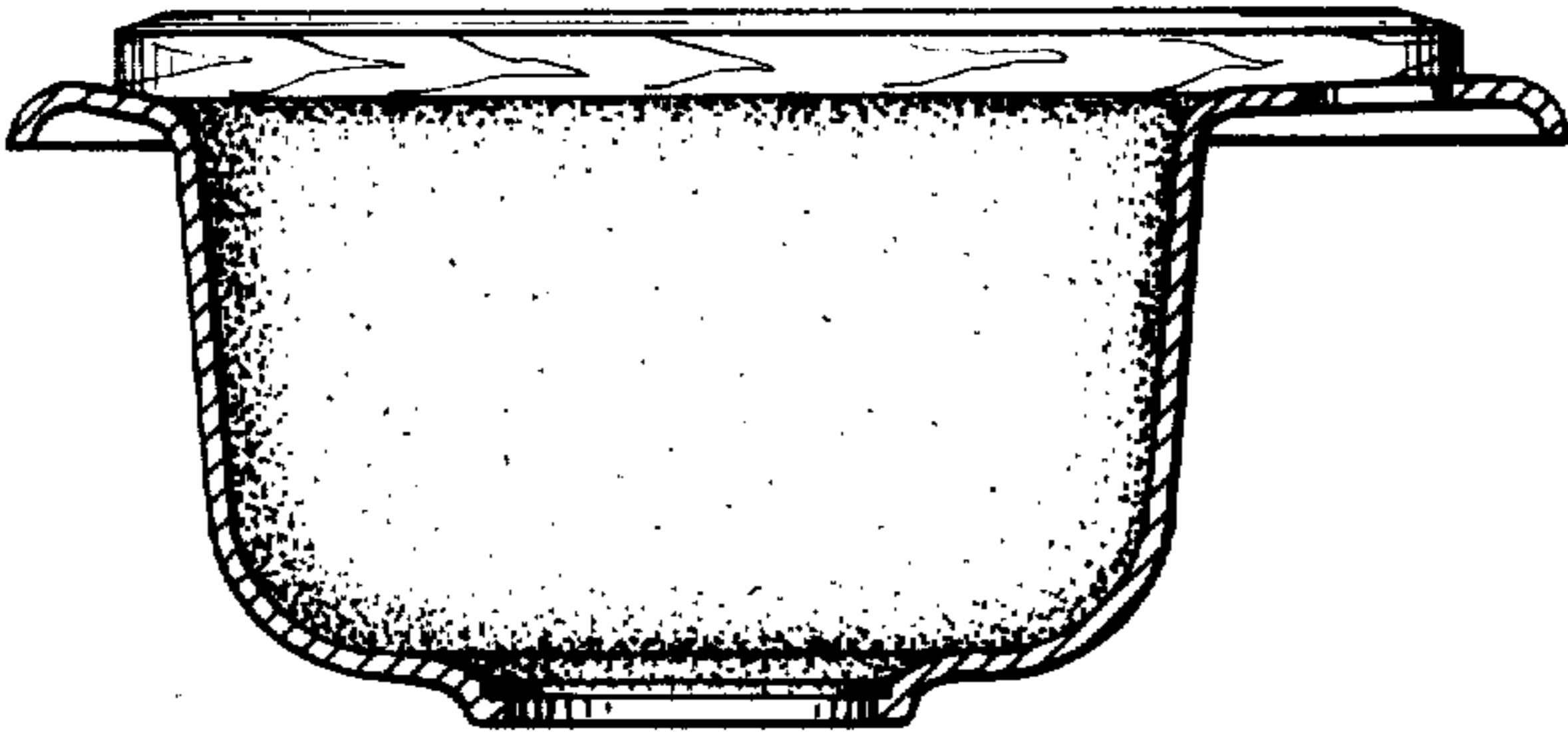


*Fig. 2*





*Fig. 3*



*Fig. 4*

UNITED STATES PATENT AND TRADEMARK OFFICE  
**CERTIFICATE OF CORRECTION**

PATENT NO. : Des. 243, 241  
DATED : February 1, 1977  
INVENTOR(S) : Donald W. Doman

It is certified that error appears in the above-identified patent and that said Letters Patent are hereby corrected as shown below:

After the description of all the figures the following should appear:

The fragmentary broken line representation of a counter top in Fig. 1 is for purposes of illustration only.

**Signed and Sealed this**

**Third Day of May 1977**

[SEAL]

*Attest:*

**RUTH C. MASON**  
*Attesting Officer*

**C. MARSHALL DANN**  
*Commissioner of Patents and Trademarks*