

[54] **FAUCET**
 [75] **Inventor:** Richard C. Dreibelbis, Fair Lawn, N.J.
 [73] **Assignee:** Emerson Electric Co. (H & H Thermostats Division) Cedar Grove, N.J.
 [**] **Term:** 14 Years
 [21] **Appl. No.:** 646,910
 [22] **Filed:** Jan. 6, 1976
 [51] **Int. Cl.** D23-01
 [52] **U.S. Cl.** D23/25
 [58] **Field of Search** D23/23-35; 4/166, 167, 187, 191, 192; 222/144.5; 137/606, 801

3,664,550 5/1972 Carothers et al. 222/144.5 X
 3,903,926 9/1975 Constantinesco 137/606

OTHER PUBLICATIONS

Mobile Home/Travel Trailer Dealer, Oct. 1964, p. 158, "Leggitt's Combo," item.
 Kewaunee Mfg. Co., Catalog rec'd. 11/17/48, p. A1.

Primary Examiner—James R. Largen
Attorney, Agent, or Firm—Daniel H. Bobis

[57] **CLAIM**

The ornamental design for a faucet, substantially as shown and described.

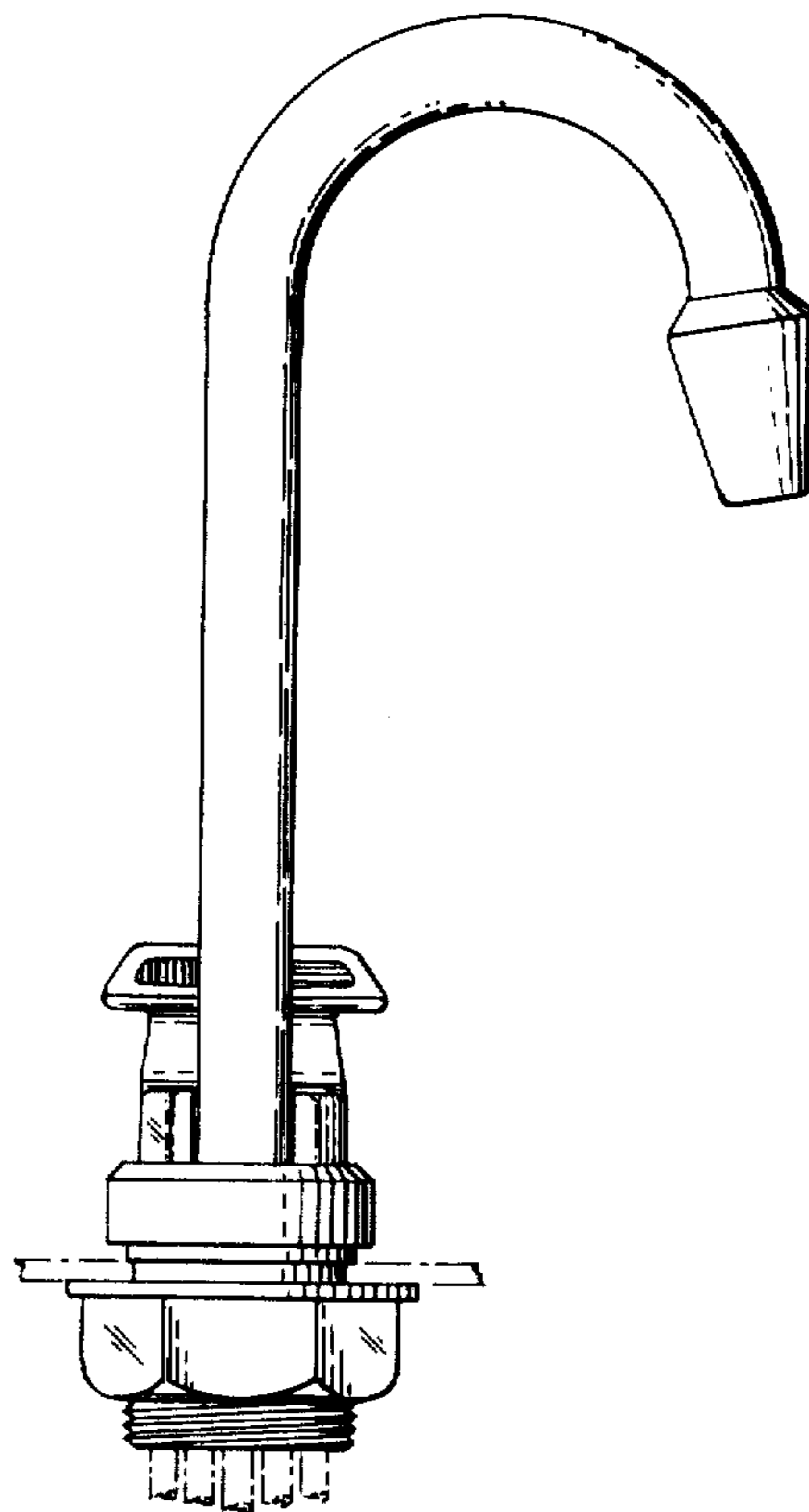
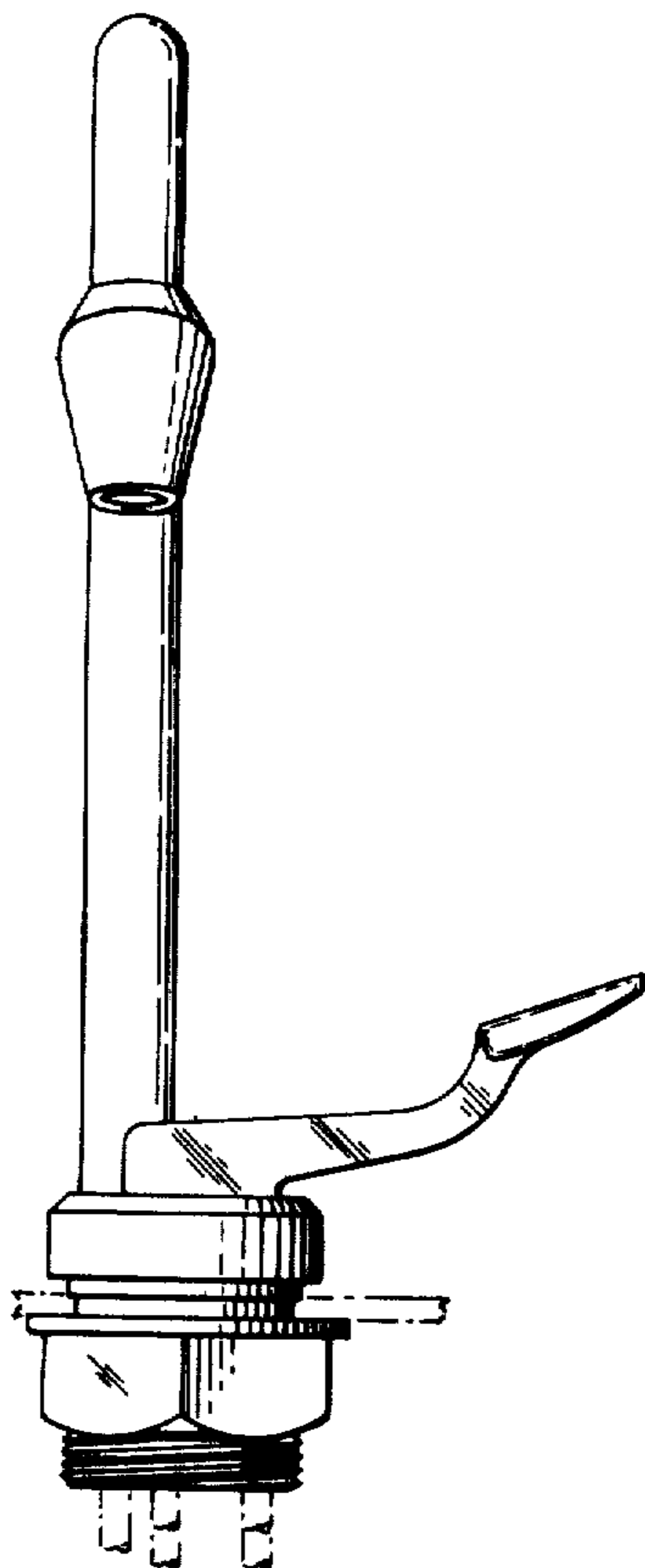
DESCRIPTION

FIG. 1 is a front elevational view of a faucet showing my new design;
 FIG. 2 is a left side elevational view thereof;
 FIG. 3 is a right side elevational view thereof;
 FIG. 4 is a rear elevational view thereof;
 FIG. 5 is a top plan view thereof; and
 FIG. 6 is a bottom plan view thereof.

The fragmentary broken line representation of a sink top and connecting pipes in FIGS. 1, 2, 3 and 4 are for purposes of illustration only.

[56] **References Cited**
U.S. PATENT DOCUMENTS

2,822,112	2/1958	Bremer	222/144.5	X
2,823,833	2/1958	Bauerlein	222/144.5	X
3,339,805	9/1967	Wheeler	222/144.5	
3,395,734	8/1968	Spencer	137/606	X
3,505,692	4/1970	Forbes	4/166	
3,520,325	7/1970	Stuart	D23/23	UX
3,620,241	11/1971	Brown	D23/23	UX



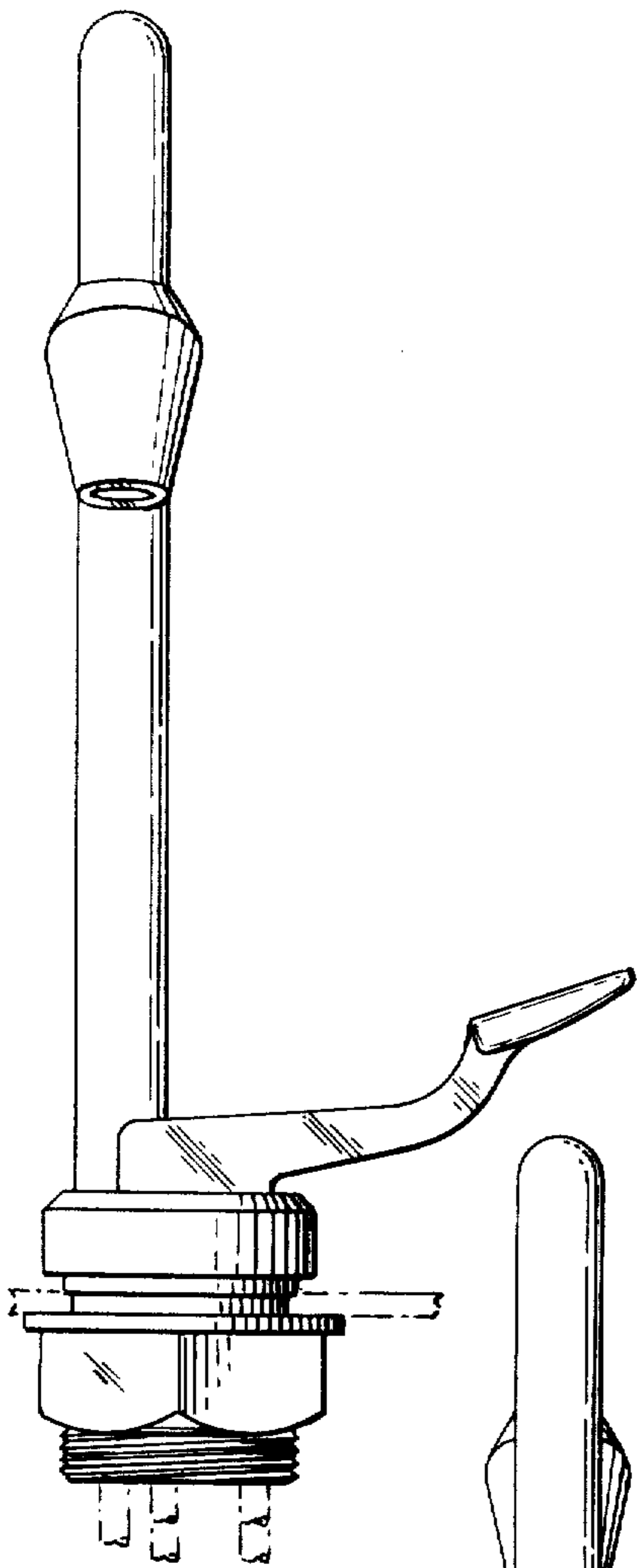


FIG. 1

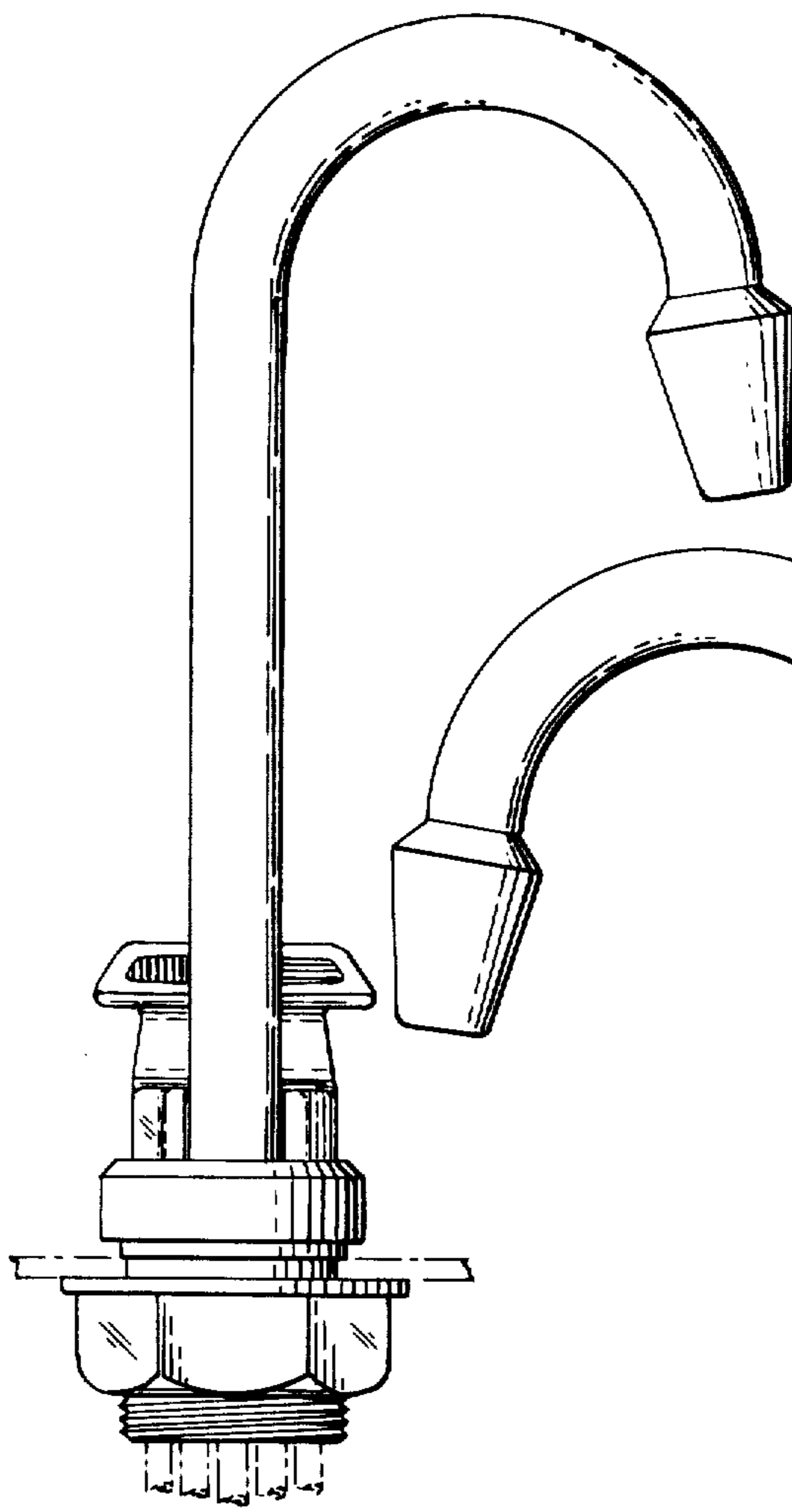


FIG. 2

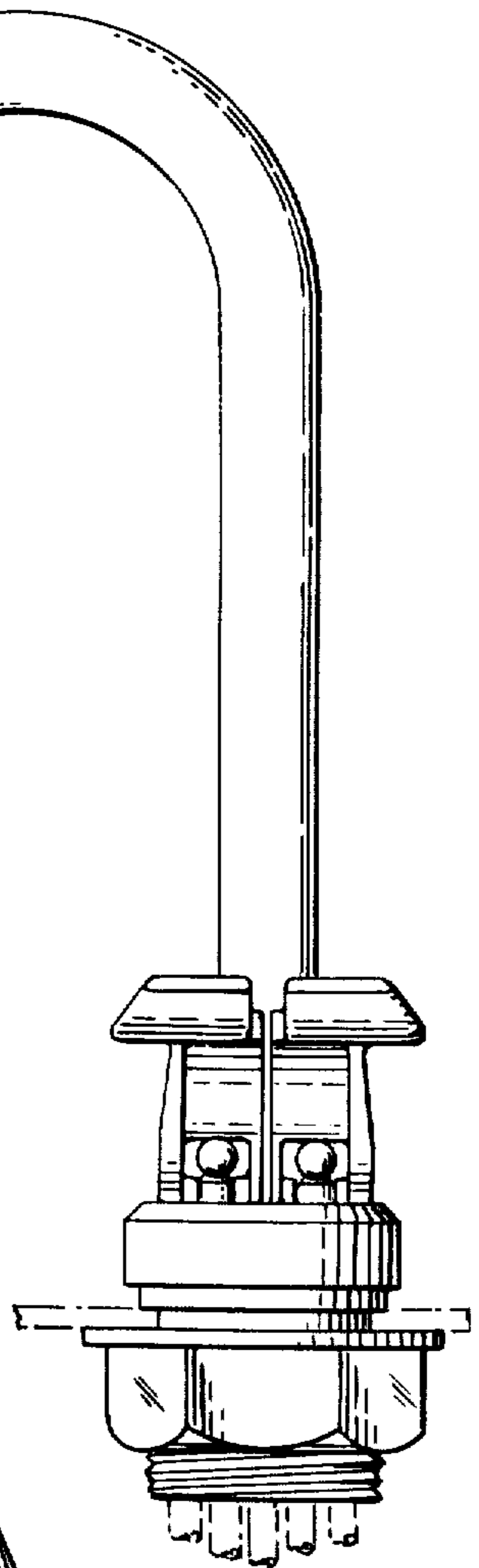


FIG. 3

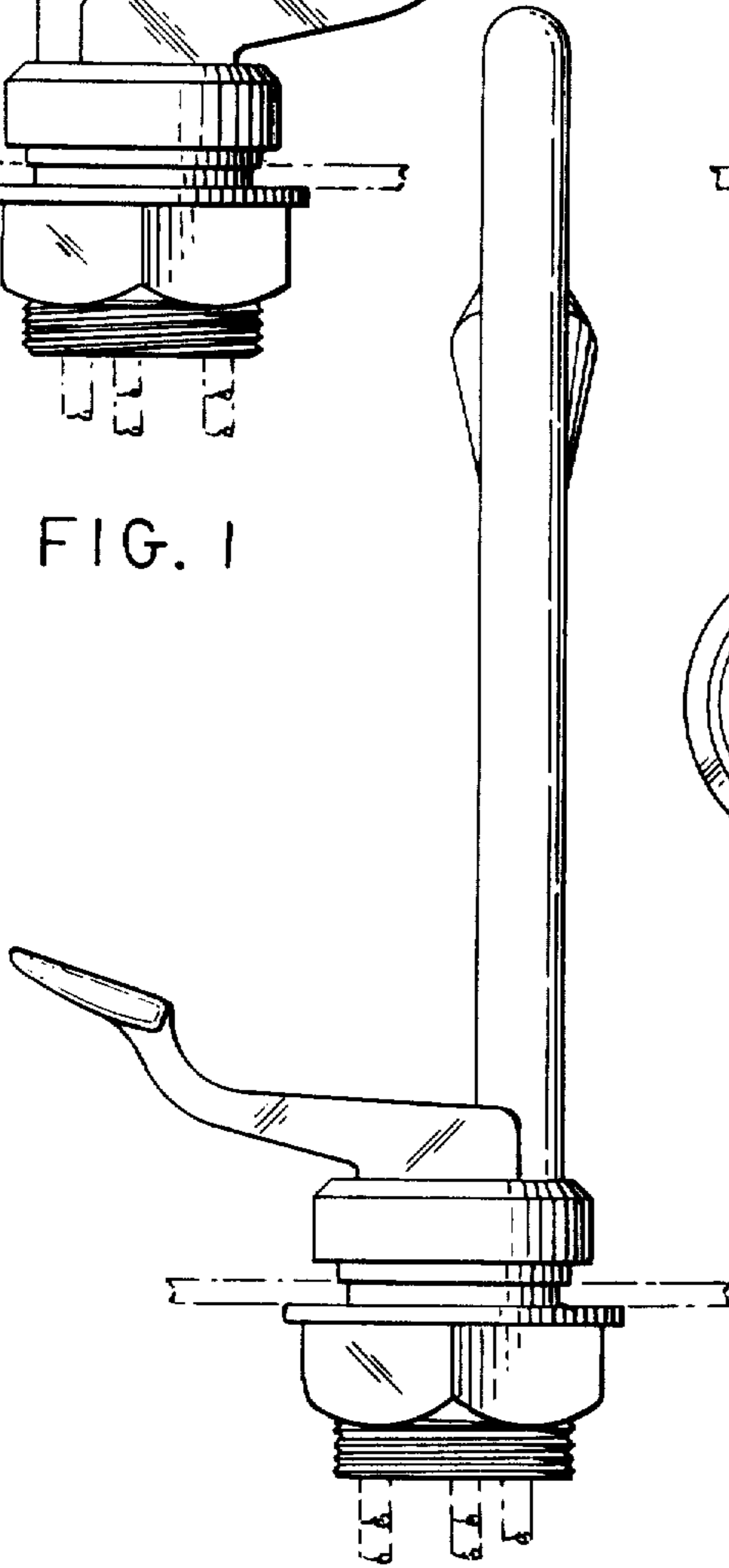


FIG. 4

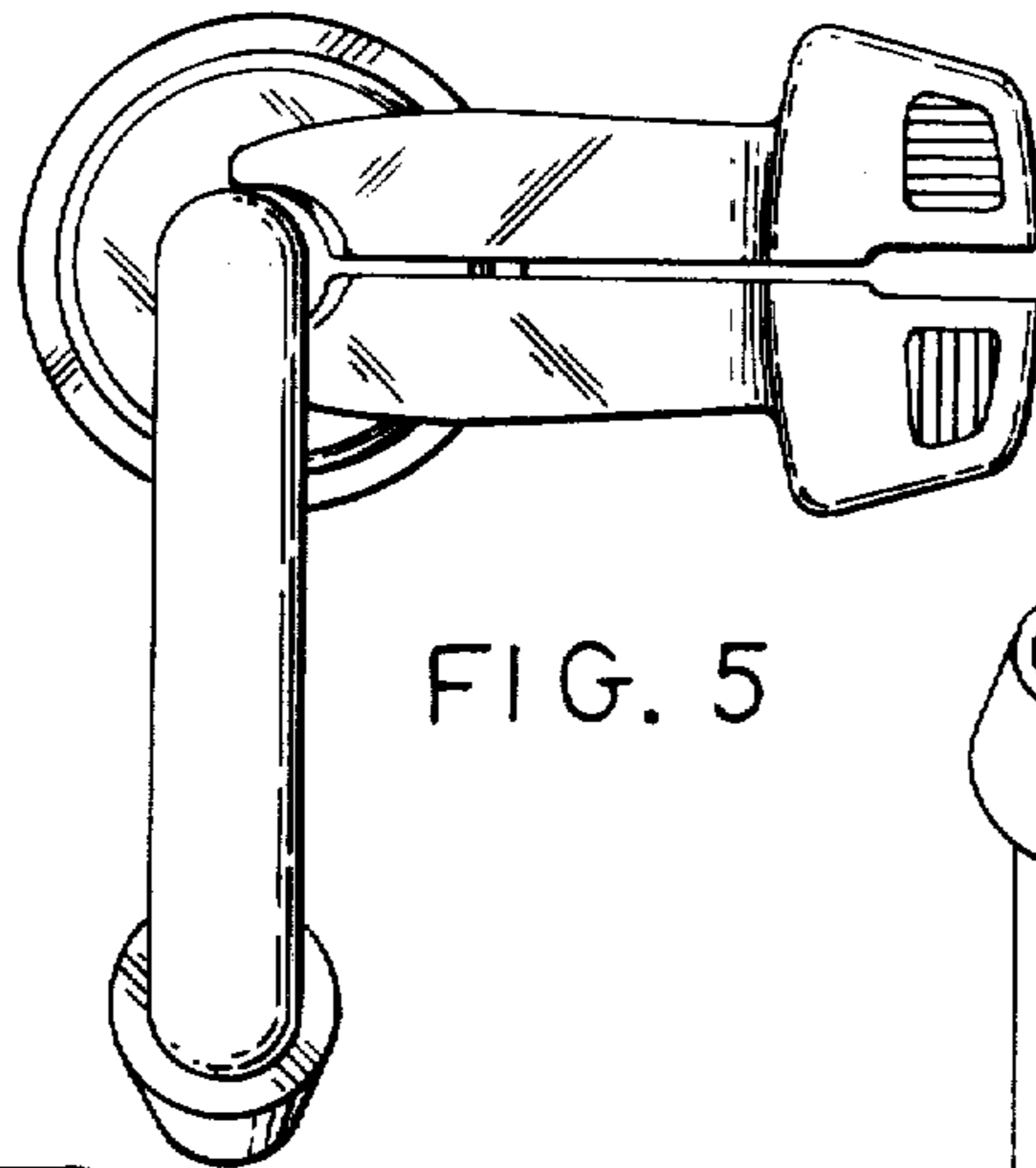


FIG. 5

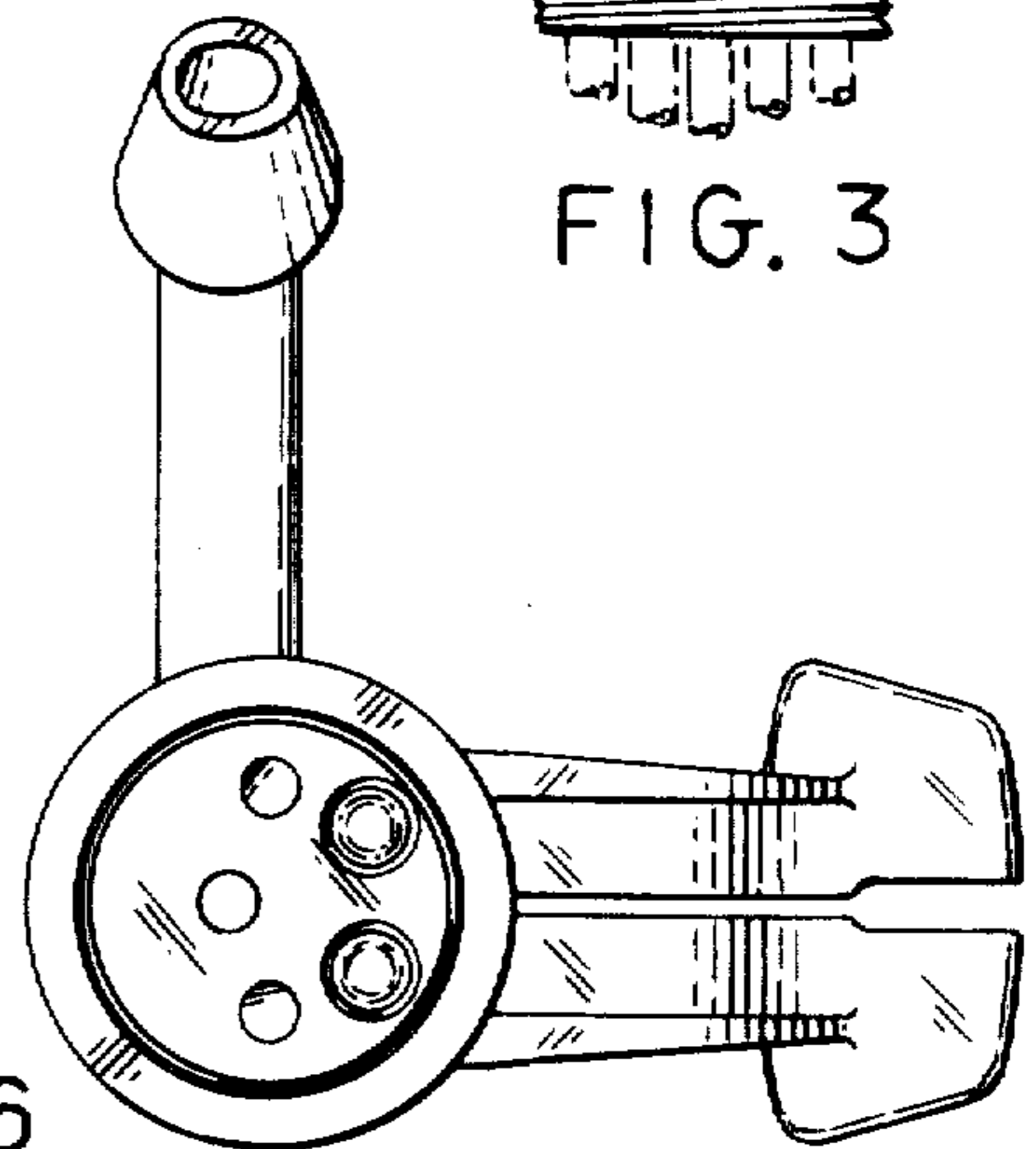


FIG. 6