

[54] **SPRINKLER BASE**
[75] Inventors: **William C. Hutton**, Worthington;
Dale P. Hugo; **Carl A. Rivasi**, both of
Columbus, all of Ohio

D. 30,543	4/1899	Watson	D23/7
D. 151,772	11/1948	Kemp	D23/7
D. 184,661	3/1959	Chapman	D23/7
D. 189,334	11/1960	Ernest	D23/7
D. 196,025	8/1963	Miner	D23/7

[73] Assignee: **Amerace Corporation**, New York,
N.Y.

Primary Examiner—James R. Largen
Attorney, Agent, or Firm—S. Michael Bender

[**] Term: **14 Years**

[21] Appl. No.: **635,620**

[57] **CLAIM**

[22] Filed: **Nov. 26, 1975**

The ornamental design for a sprinkler base, as shown.

[51] Int. Cl. **D23-01**

[52] U.S. Cl. **D23/7**

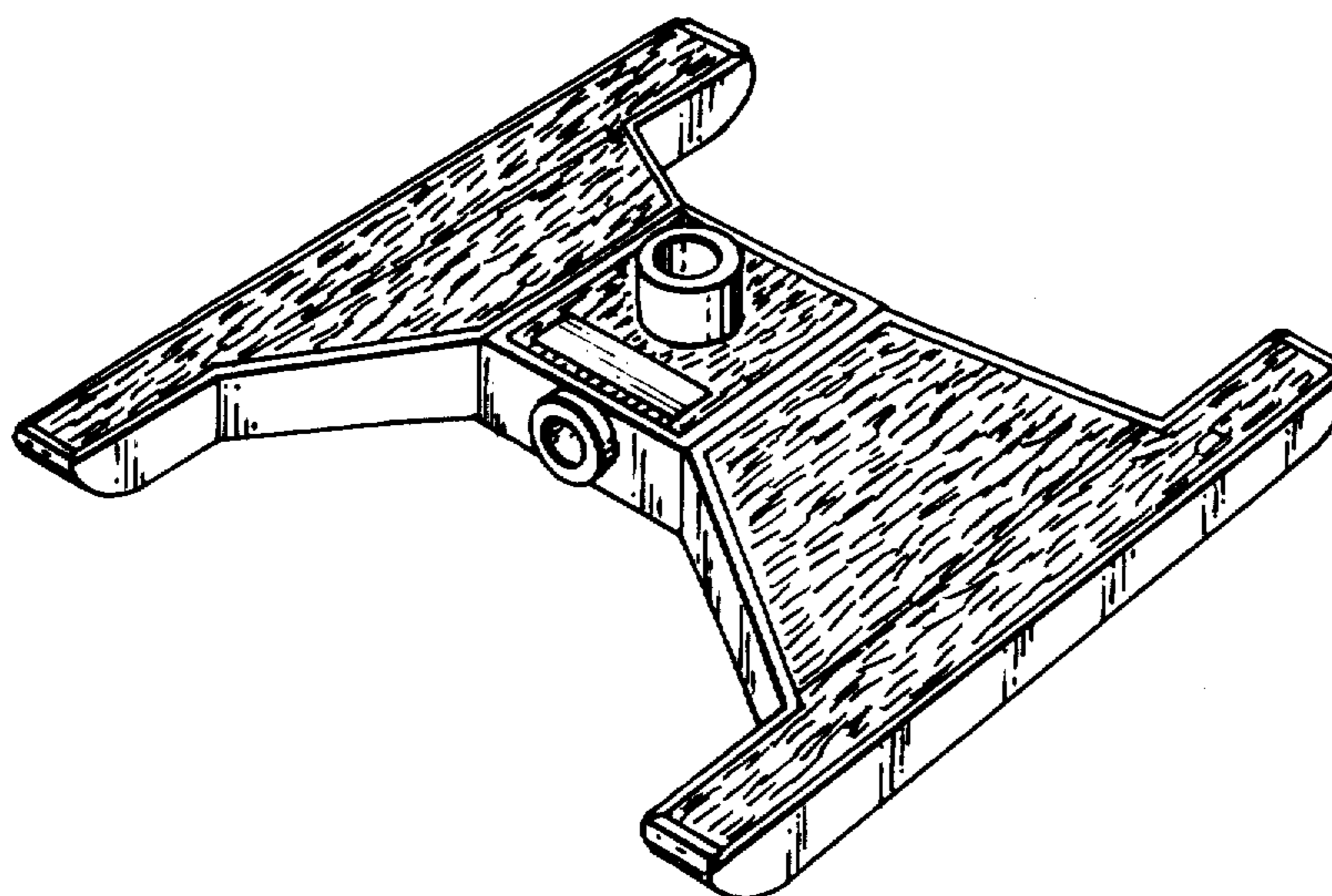
[58] Field of Search **D23/6-10;**
239/256-258, 261, 273

DESCRIPTION

FIG. 1 is a perspective view of a lawn sprinkler base showing our new design;
FIG. 2 is a top plan view thereof;
FIG. 3 is a side elevational view thereof;
FIG. 4 is a front elevational view thereof; and
FIG. 5 is a rear elevational view thereof.

[56] **References Cited**
U.S. PATENT DOCUMENTS

D. 22,190 1/1893 Baker et al. D23/7



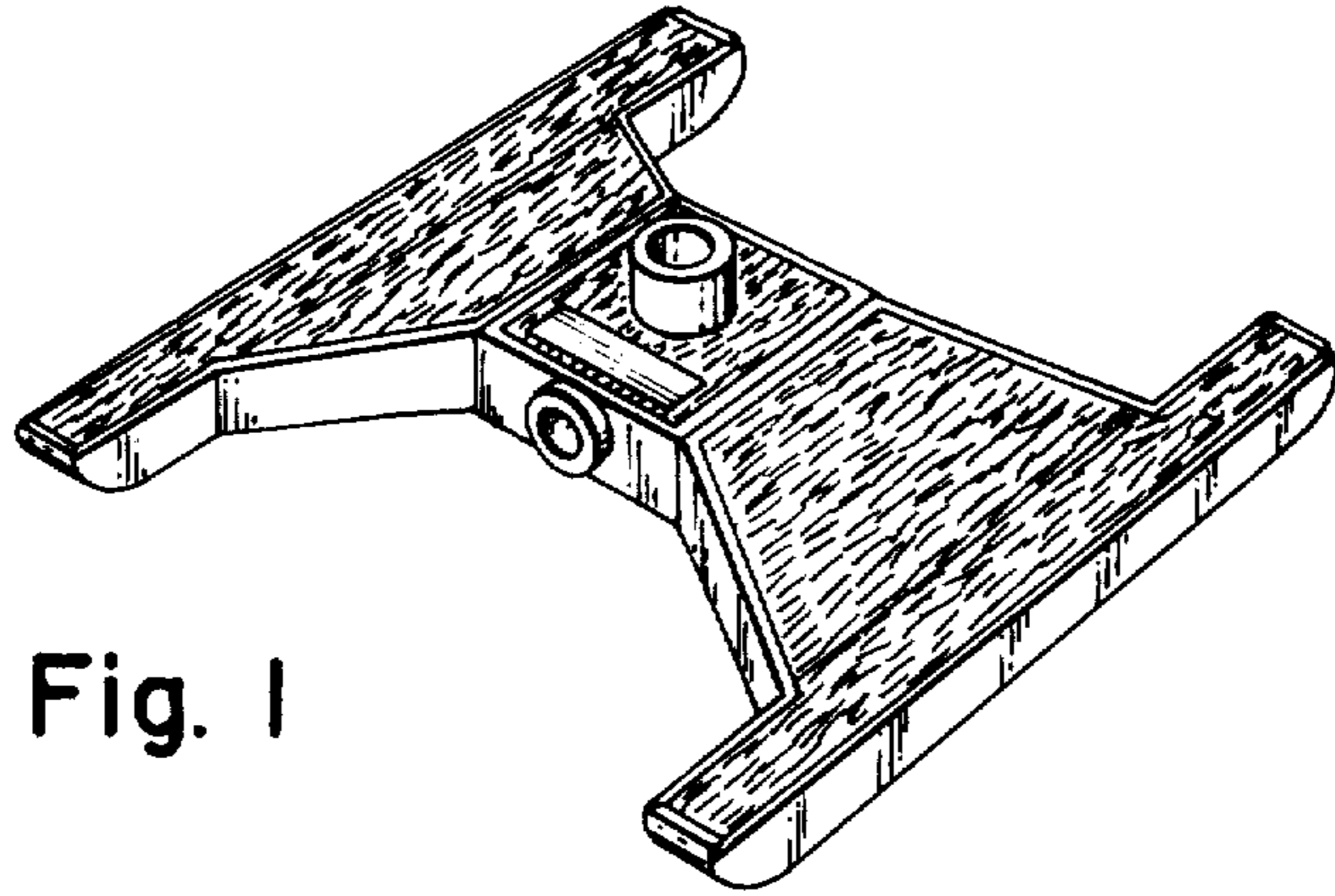


Fig. 1

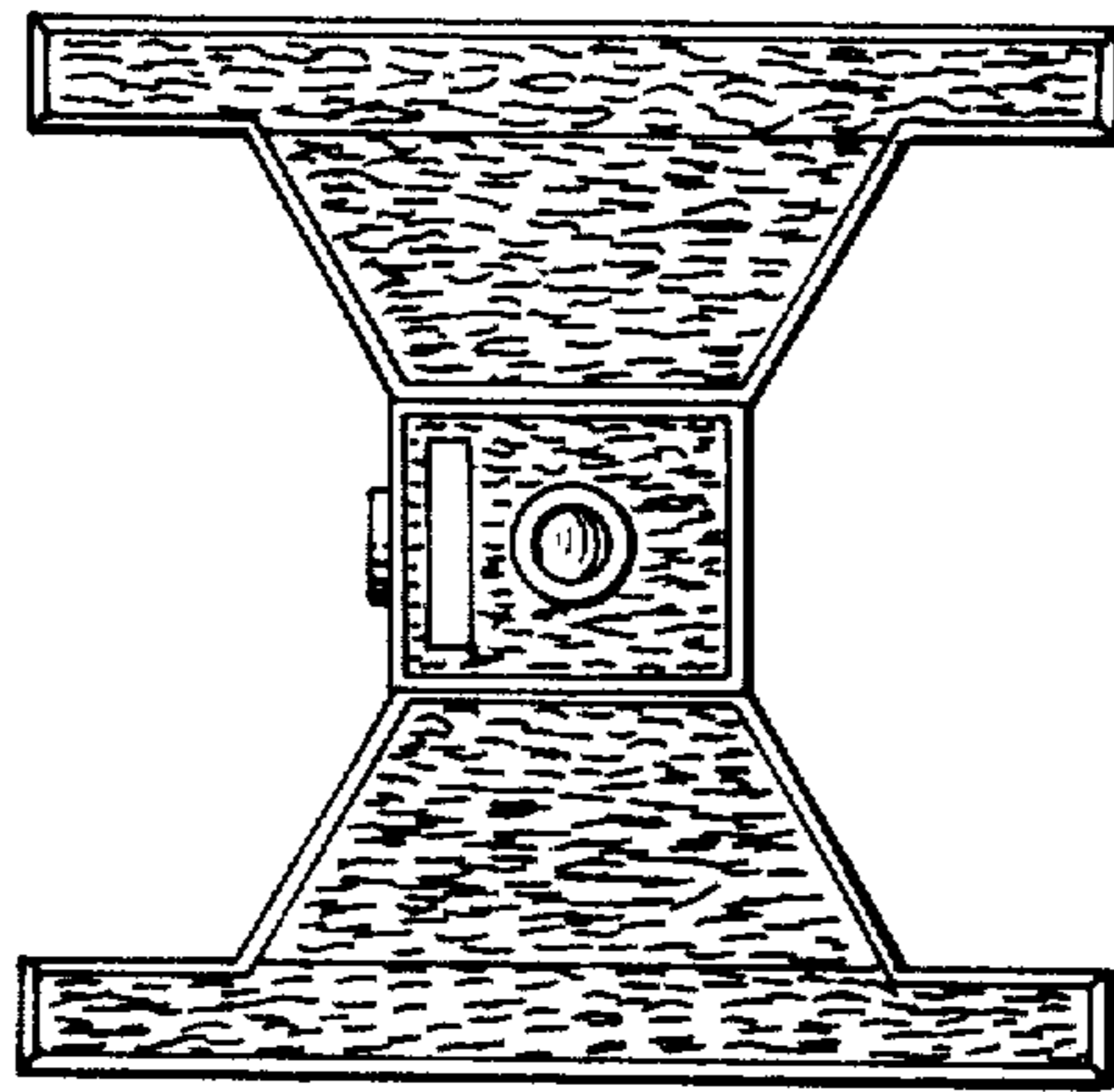


Fig. 2

Fig. 3

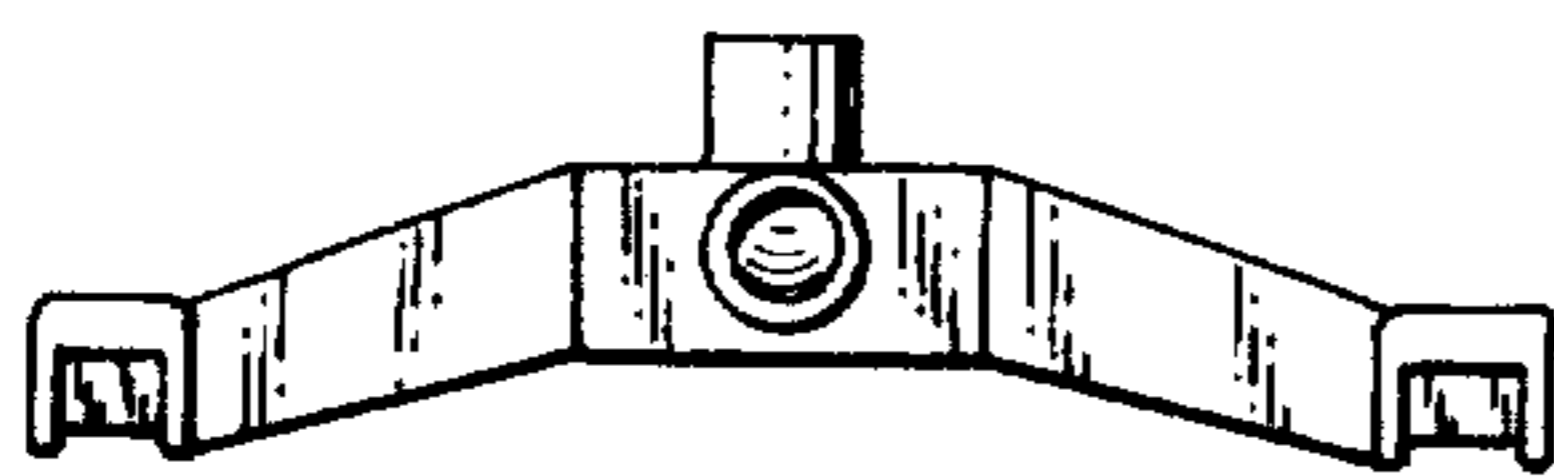
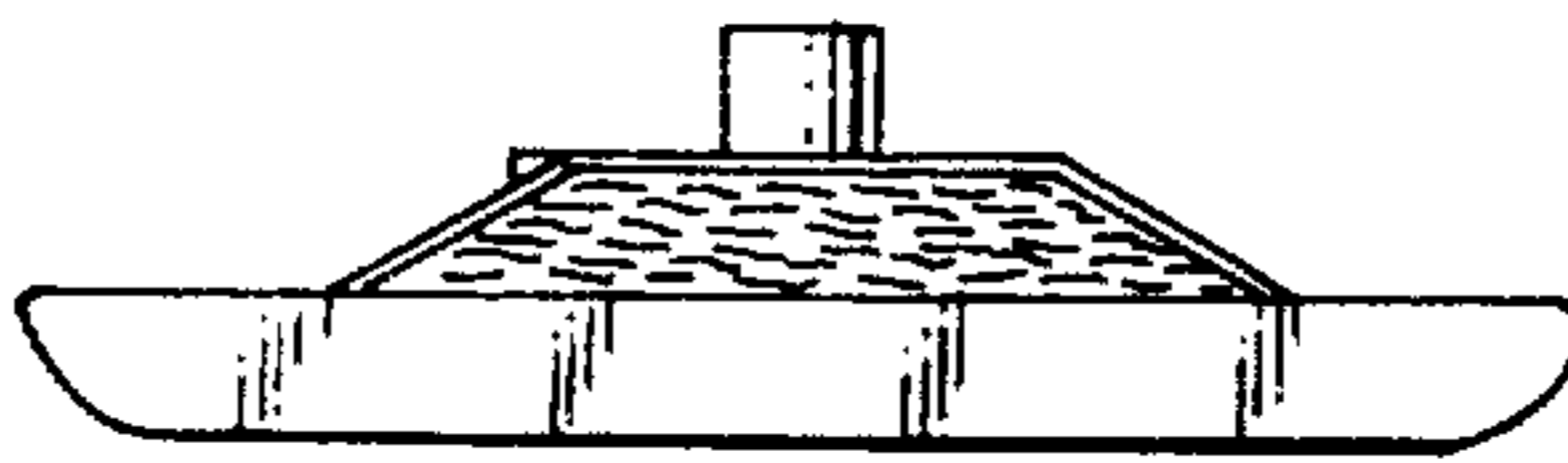


Fig. 4

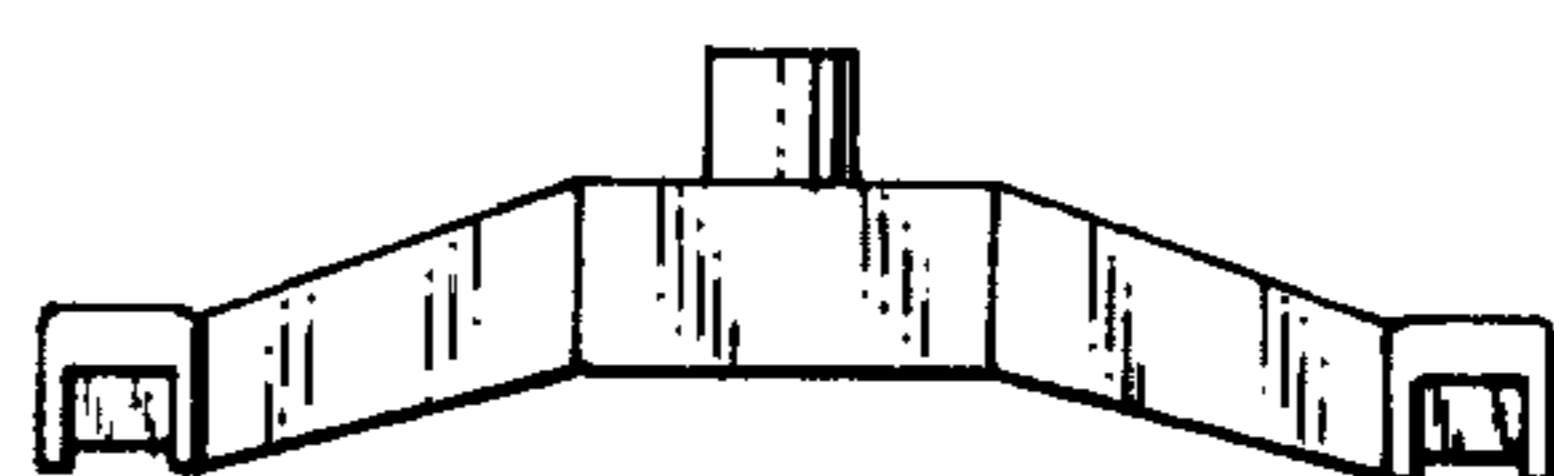


Fig. 5