

[54] **COMBINED VEHICLE WITH MOUNTED SIGN**

[75] Inventor: **Seymour Buxbom**, Riverside, Calif.

[73] Assignee: **Desert Outdoor Advertising, Inc.**,
Riverside, Calif.

[**] Term: **14 Years**

[21] Appl. No.: **625,465**

[22] Filed: **Oct. 24, 1975**

[51] Int. Cl.² **D12-08**

[52] U.S. Cl. **D12/96**

[58] Field of Search **D12/93, 96, 57;**
40/129 C, 129 R; D96/12 J, 12 R; 296/21;
254/8 C, 9

[56] **References Cited**

U.S. PATENT DOCUMENTS

2,129,368	9/1938	Ballew	40/129 C
2,764,869	10/1956	Scherr	254/9 C
3,702,033	11/1972	Coleman	40/129 R
D. 192,035	1/1962	Russell	D96/12 J

FOREIGN PATENT DOCUMENTS

455,450 3/1950 Italy 296/21

OTHER PUBLICATIONS

Signs of the Times, 2/61, Sign & Clock, Top Right Side of Page, p. 5.

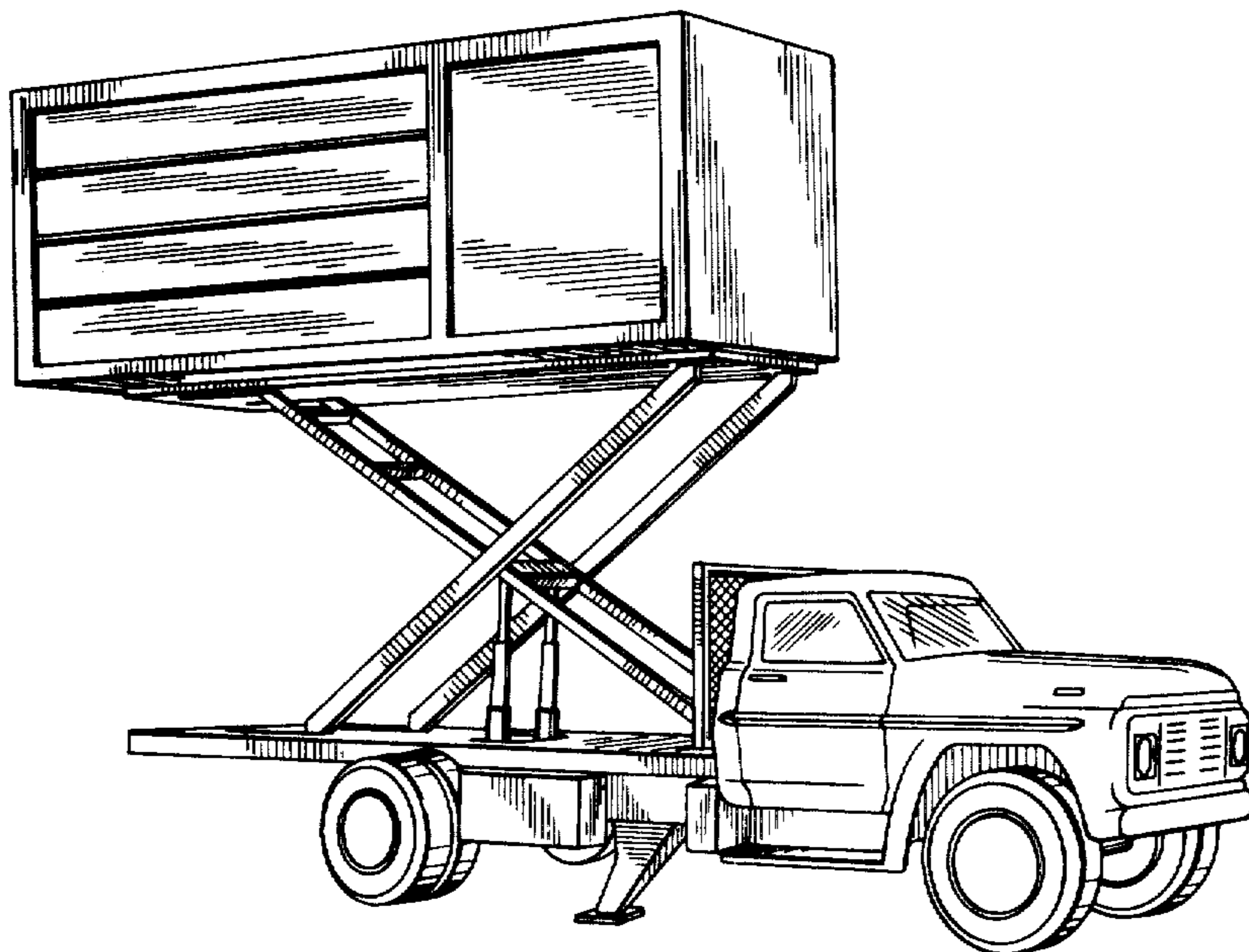
Primary Examiner—Wallace R. Burke
Assistant Examiner—James M. Gandy
Attorney, Agent, or Firm—Carl R. Brown

[57] **CLAIM**

The ornamental design for a combined vehicle with mounted sign, substantially as shown.

DESCRIPTION

FIG. 1 is a perspective view from the front and one side of a combined vehicle with mounted sign, showing my new design; and
 FIG. 2 is a perspective view from the rear and the opposite side thereof.



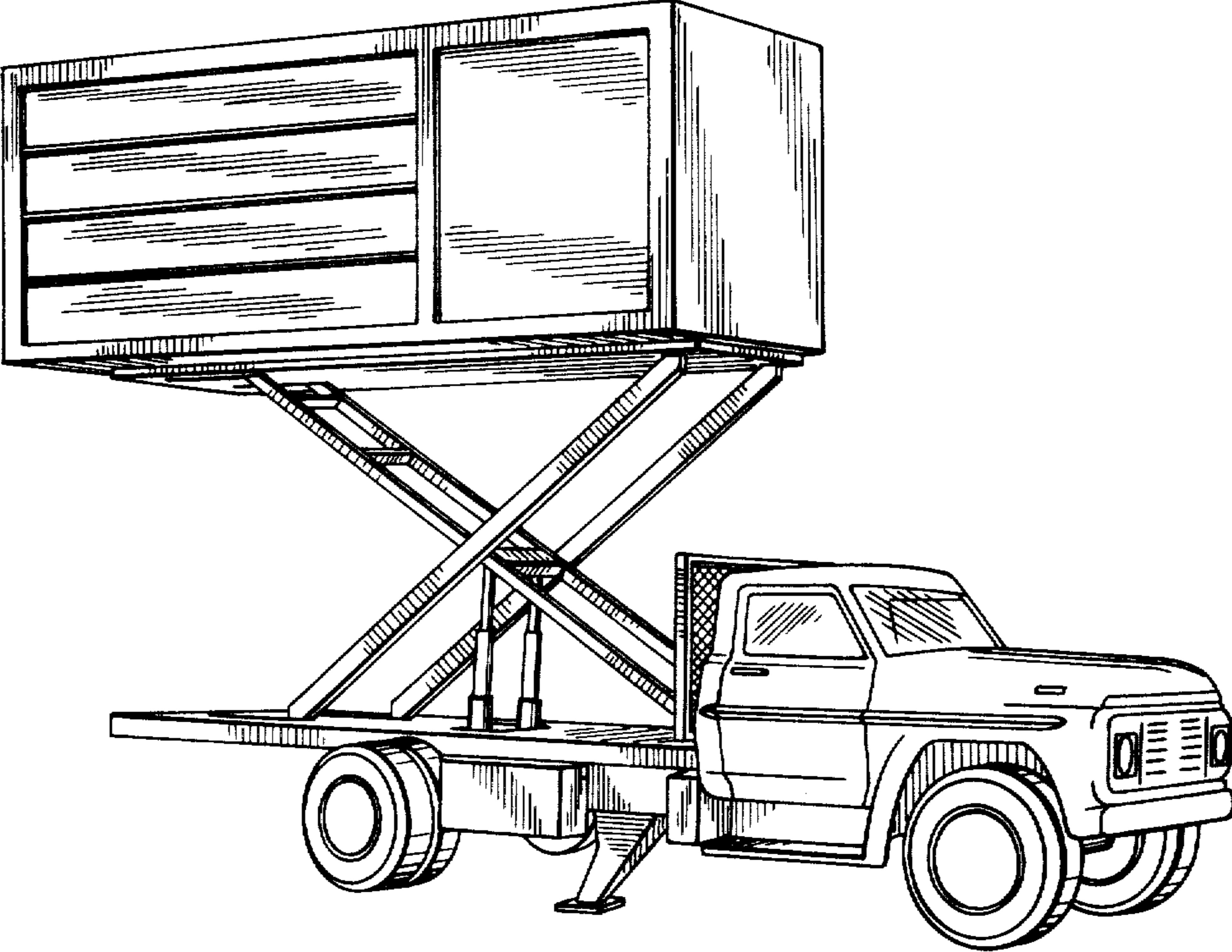


Fig. 1

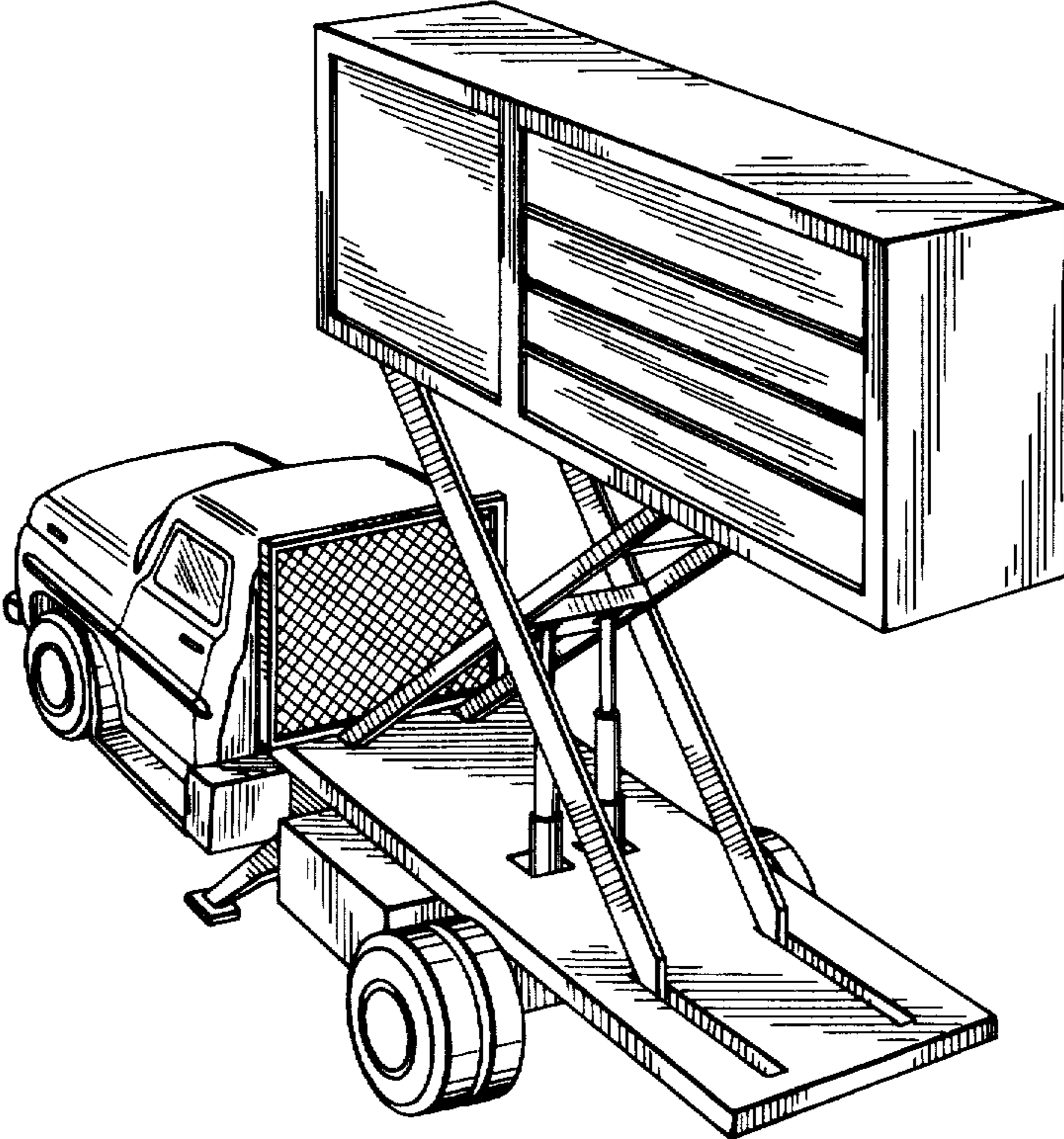


Fig. 2