

[54] DRINKING CUP LID OR THE LIKE

[75] Inventor: G. Kenneth Smith, Waterville, Ohio

[73] Assignee: Owens-Illinois, Inc., Toledo, Ohio

[**] Term: 14 Years

[21] Appl. No.: 599,749

[22] Filed: July 28, 1975

[51] Int. Cl. D9-99

[52] U.S. Cl. D9/267

[58] Field of Search D9/171, 222, 253, 254, D9/265, 267, 280, 261, 262; D7/16, 17, 39, 40, 131; 215/DIG. 7, 200, 211, 215, 216, 316-317, 321, 324-325, 327, 353-354; 206/217; 229/43; 220/200, 306, 307, 309, 352, 356

[56] References Cited

U.S. PATENT DOCUMENTS

1,335,054	3/1920	Hammer	215/317
3,173,571	6/1963	Cserny et al.	229/43
3,743,133	7/1973	Rathbun	220/306
3,773,207	11/1973	Dokoupil et al.	220/306 X

Primary Examiner—Joel Stearman
 Assistant Examiner—Louis S. Zarfes
 Attorney, Agent, or Firm—Steve M. Mc Lary

[57] CLAIM

The ornamental design for a drinking cup lid or the like, as shown and described.

DESCRIPTION

FIG. 1 is a top perspective view of a drinking cup lid or the like showing my new design;

FIG. 2 is a bottom perspective view thereof;

FIG. 3 is a cross sectional view thereof taken along the line 3-3 in FIG. 1;

FIG. 4 is a cross sectional view thereof taken along the line 4-4 in FIG. 1;

FIG. 5 is a top perspective view of a drinking cup lid or the like showing a second embodiment of my new design;

FIG. 6 is a bottom, perspective view thereof;

FIG. 7 is a cross sectional view thereof taken along the line 7-7 in FIG. 5;

FIG. 8 is a cross sectional view thereof taken along the line 8-8 in FIG. 5;

FIG. 9 is a top perspective view of a drinking cup lid or the like showing a third embodiment of my new design;

FIG. 10 is a bottom, perspective view thereof;

FIG. 11 is a cross sectional view thereof taken along the line 11-11 in FIG. 9;

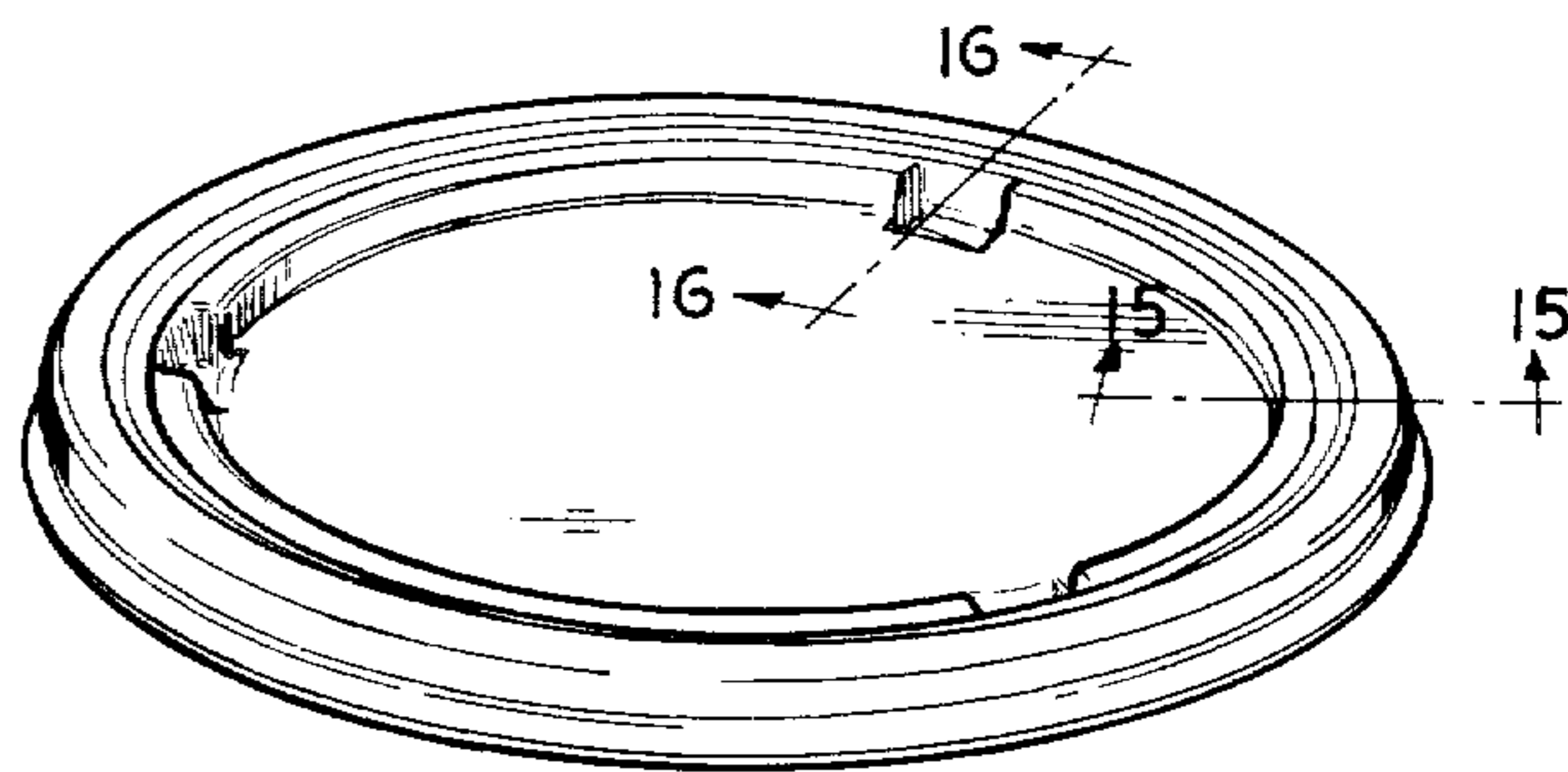
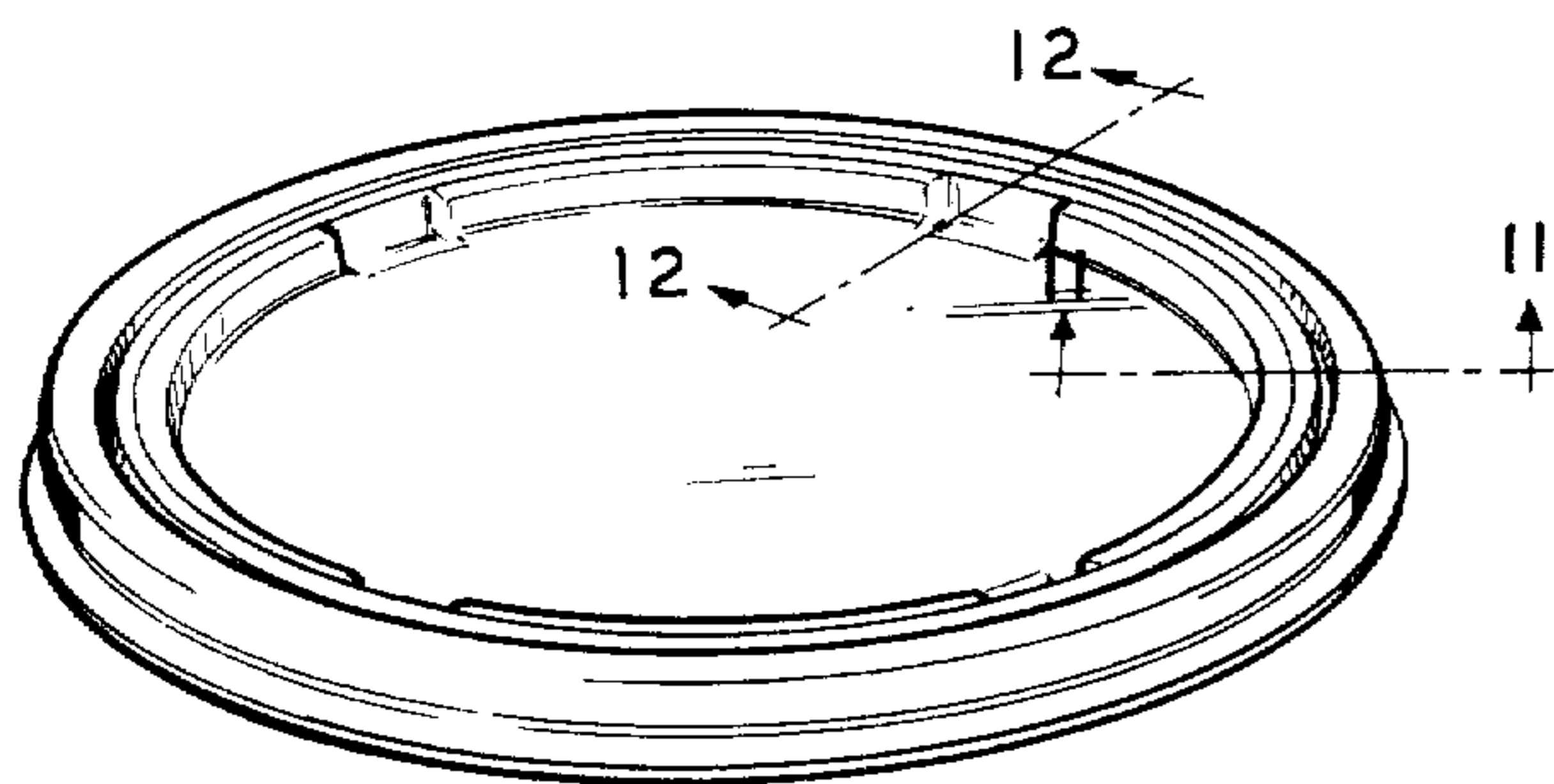
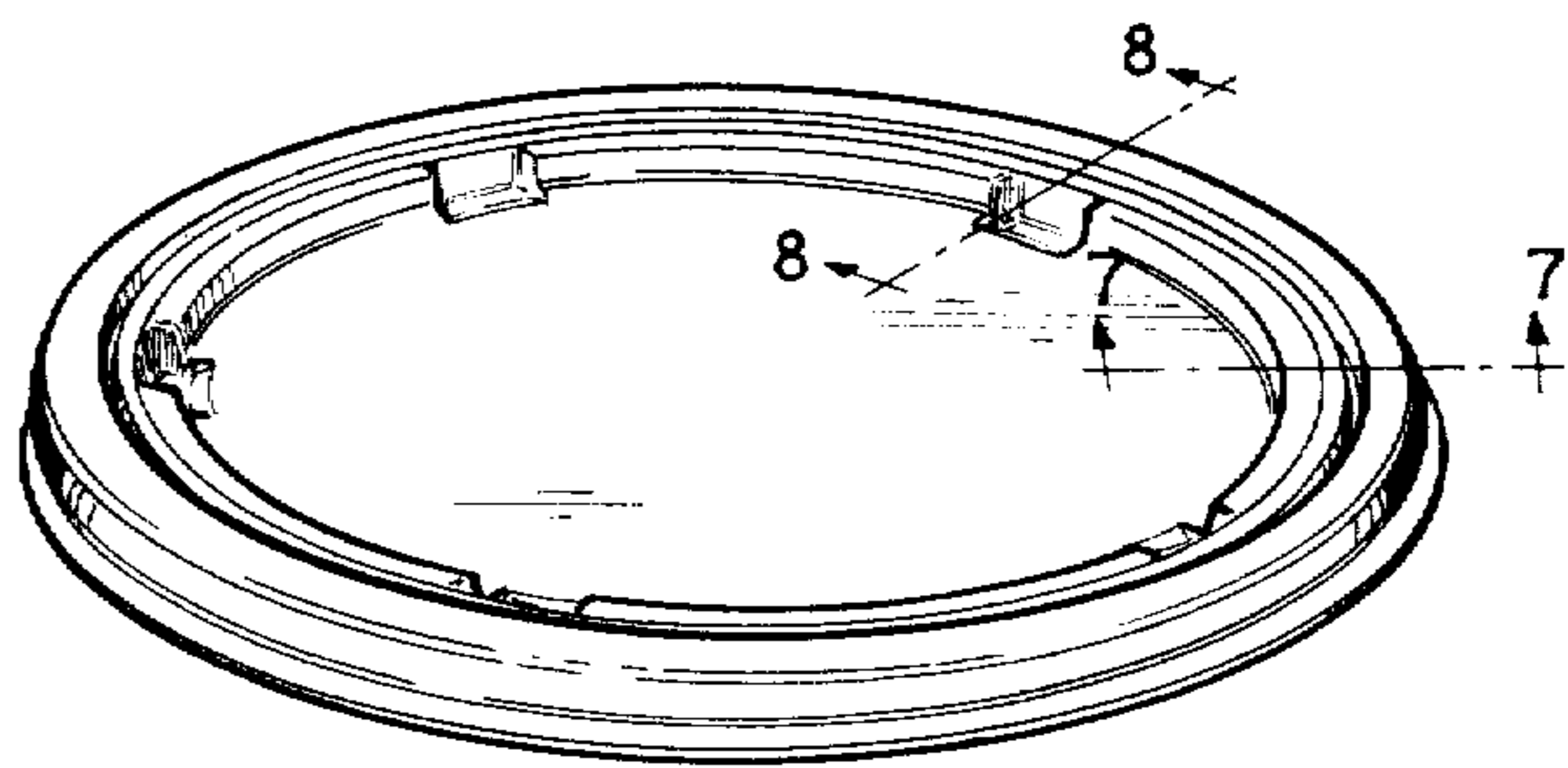
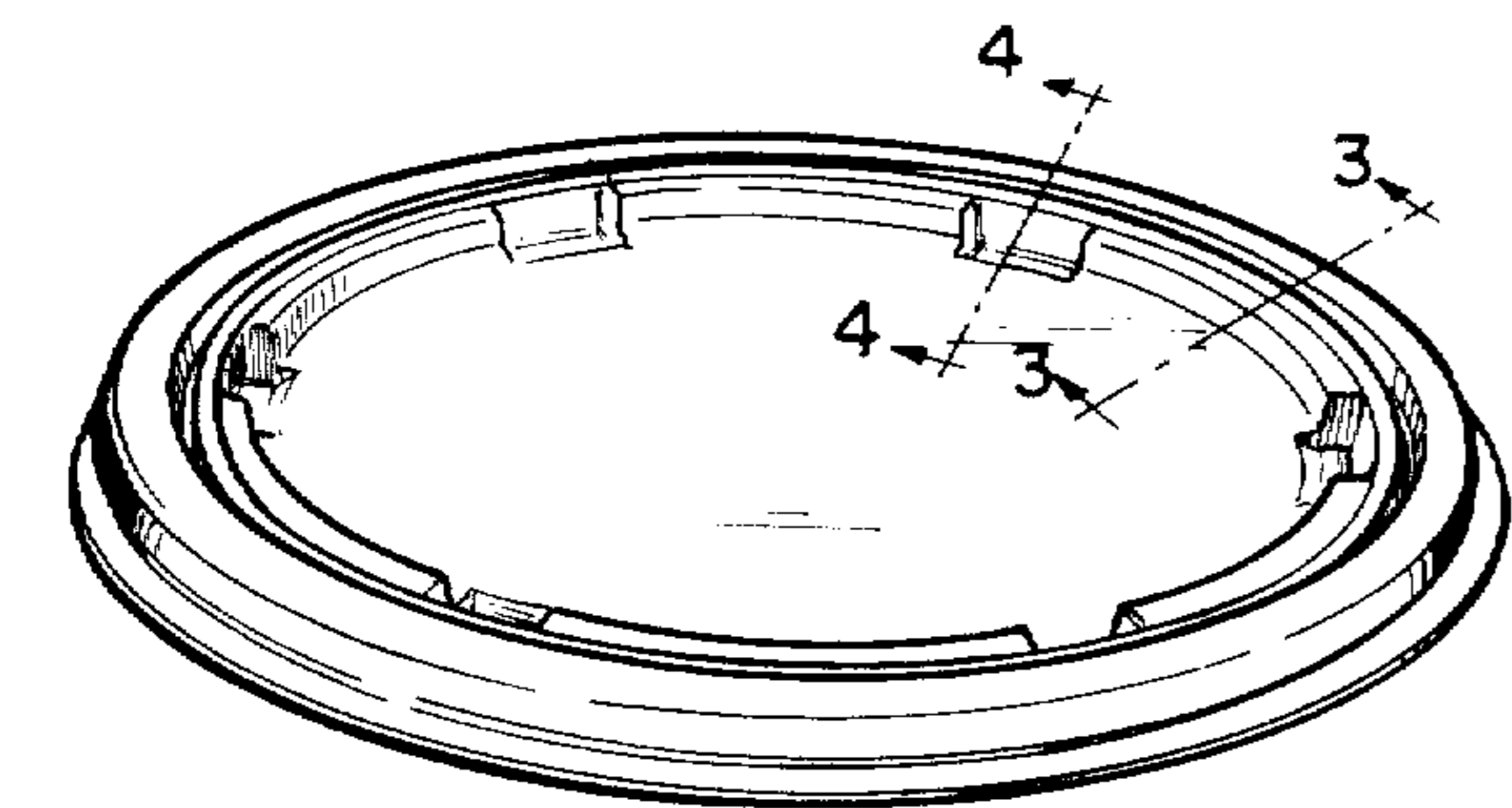
FIG. 12 is a cross sectional view thereof taken along the line 12-12 in FIG. 9;

FIG. 13 is a top perspective view of a drinking cup lid or the like showing a fourth embodiment of my new design;

FIG. 14 is a bottom, perspective view thereof;

FIG. 15 is a cross sectional view thereof taken along the line 15-15 in FIG. 13;

FIG. 16 is a cross sectional view thereof taken along the line 16-16 in FIG. 13;



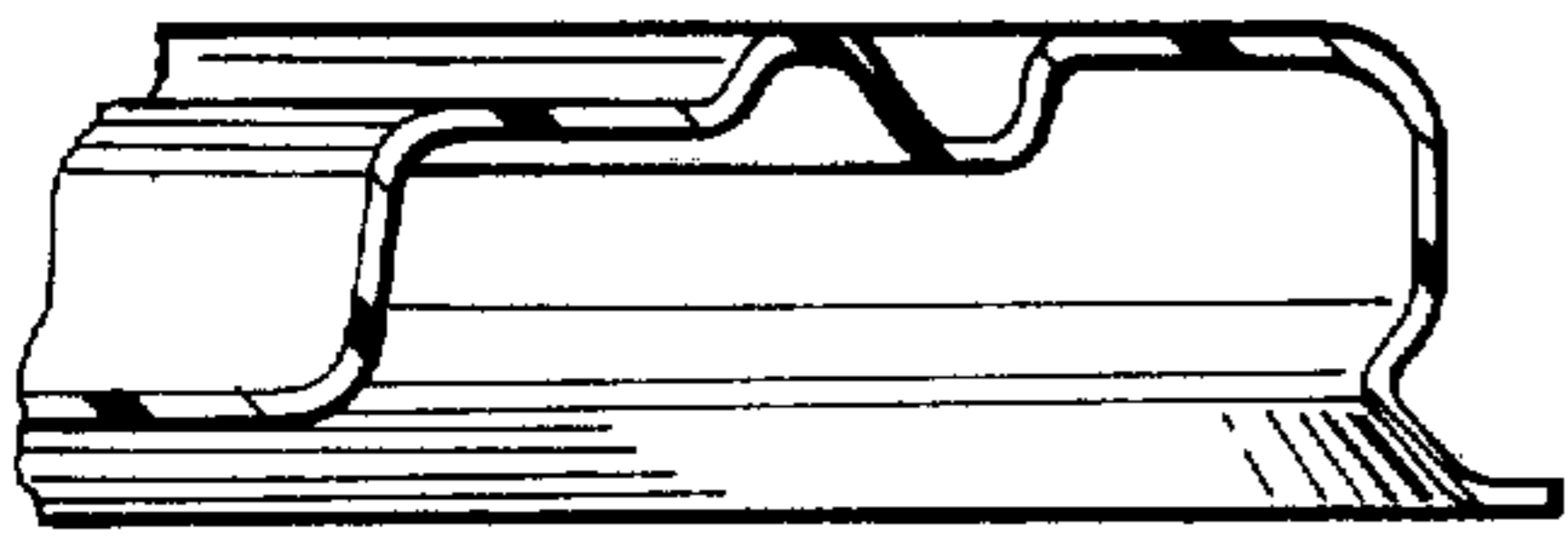


FIG. 3

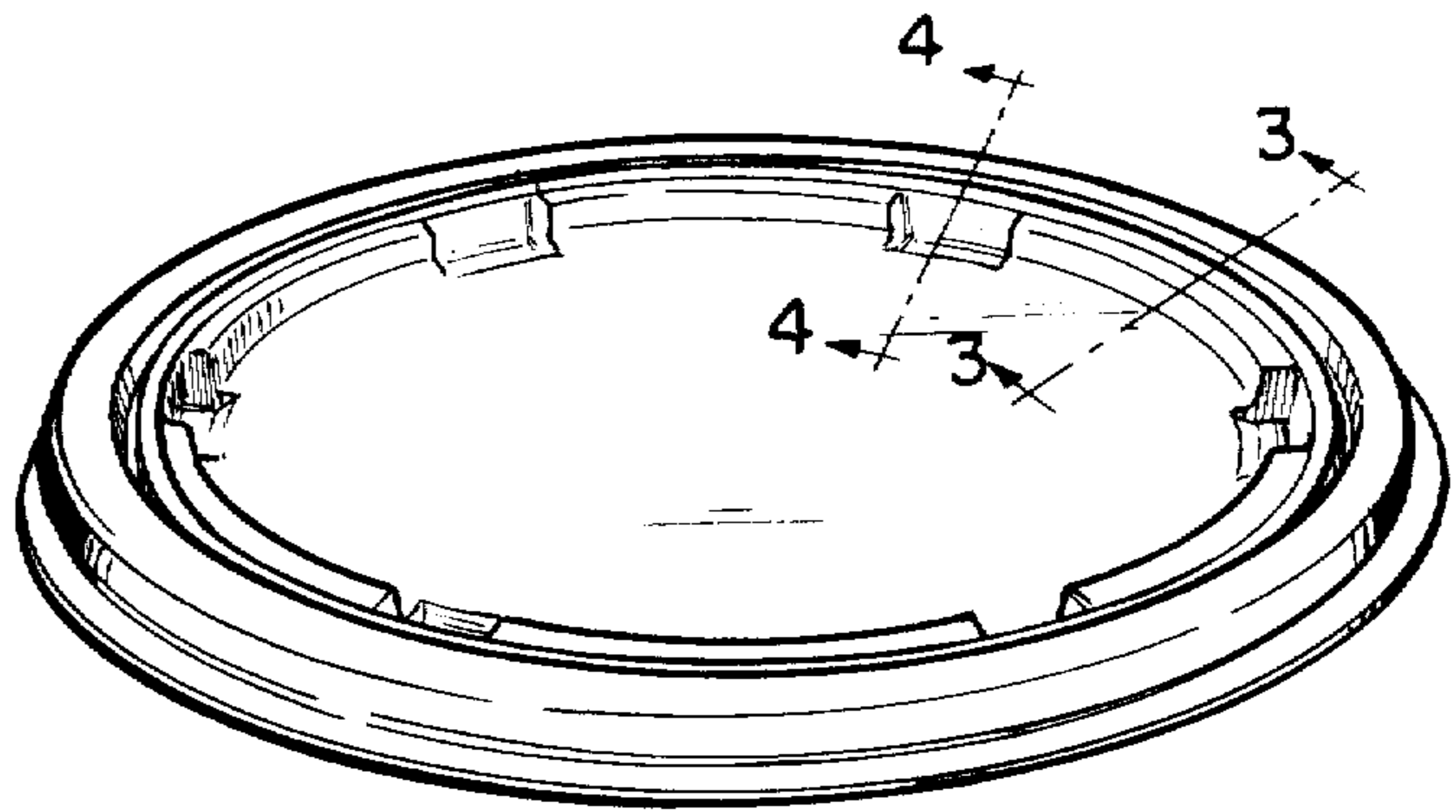


FIG. 1

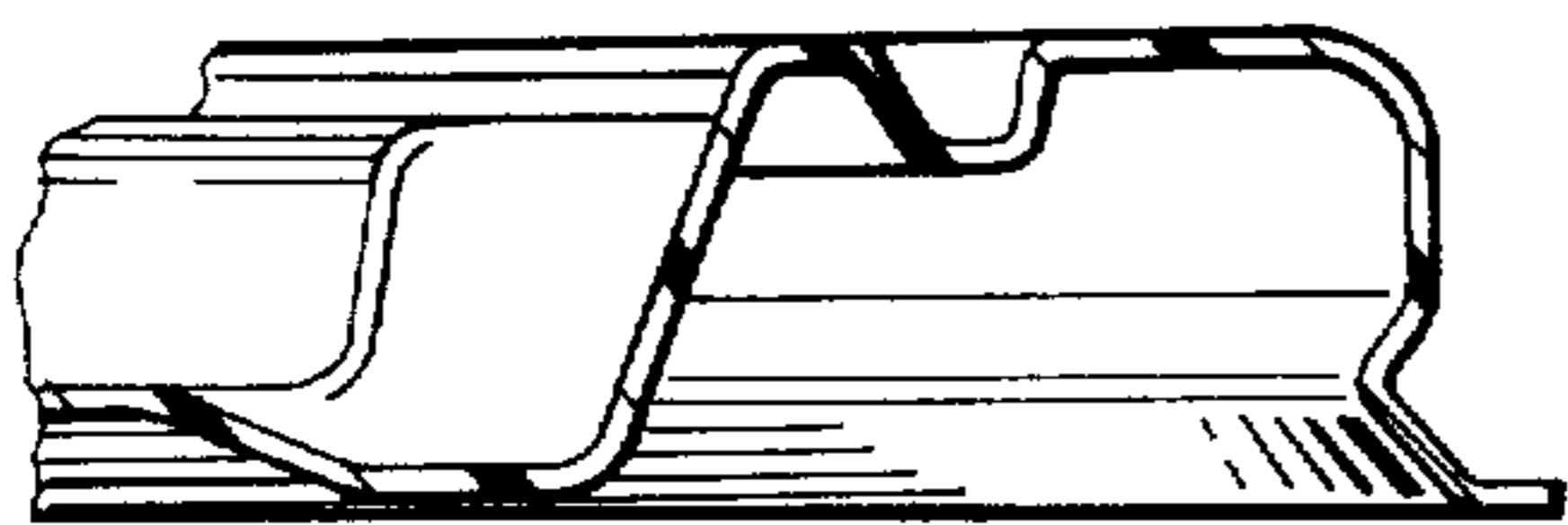


FIG. 4

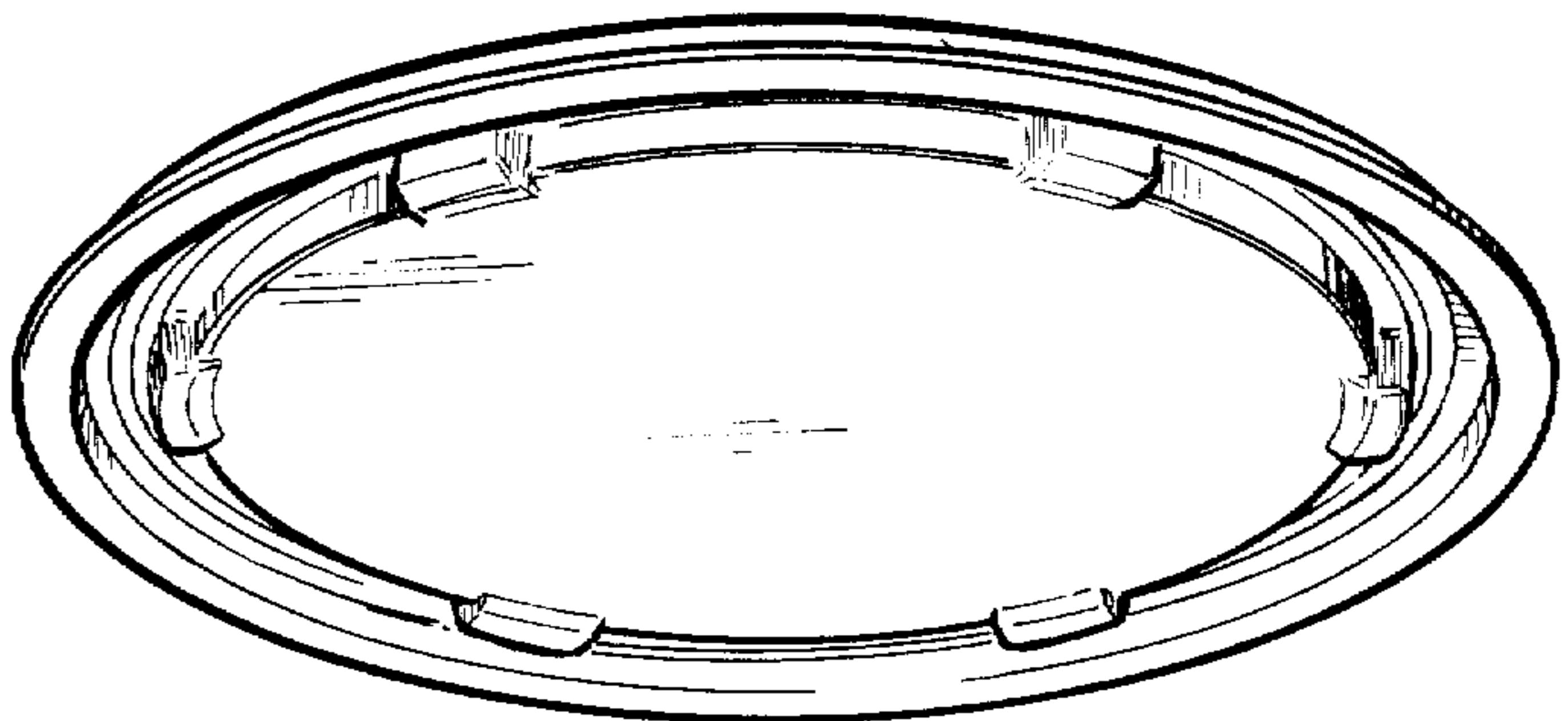


FIG. 2

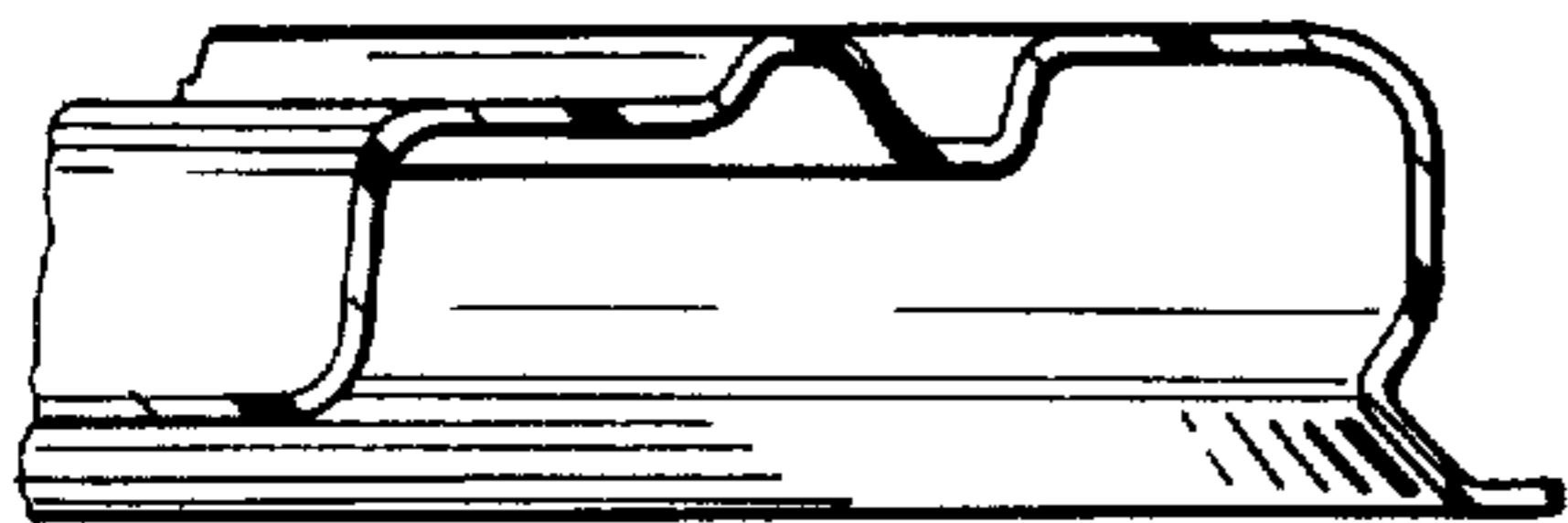


FIG. 7

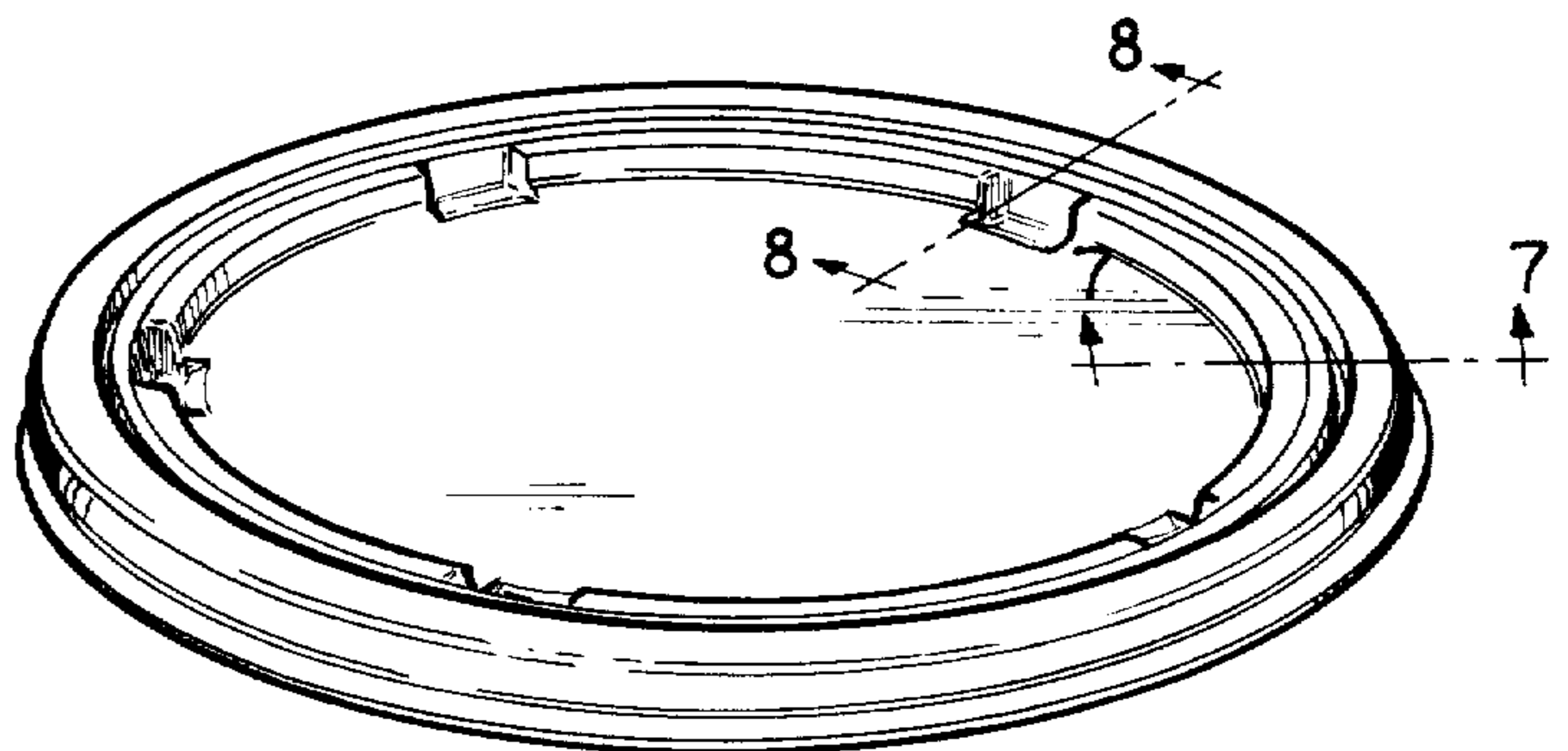


FIG. 5

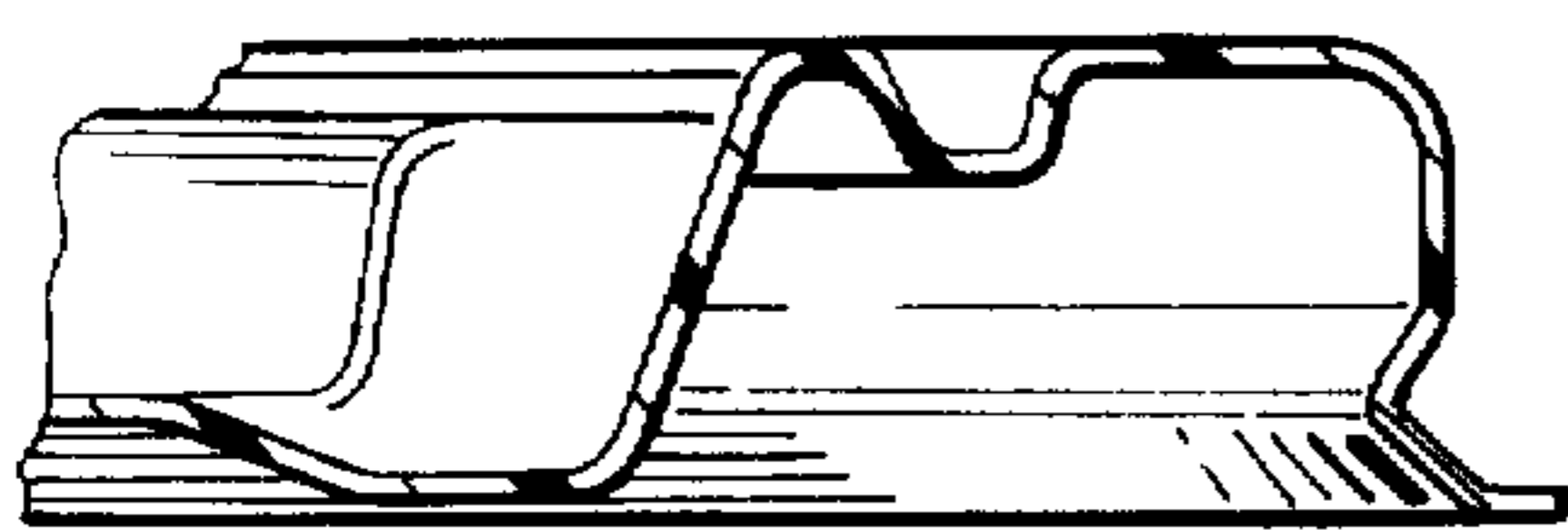


FIG. 8

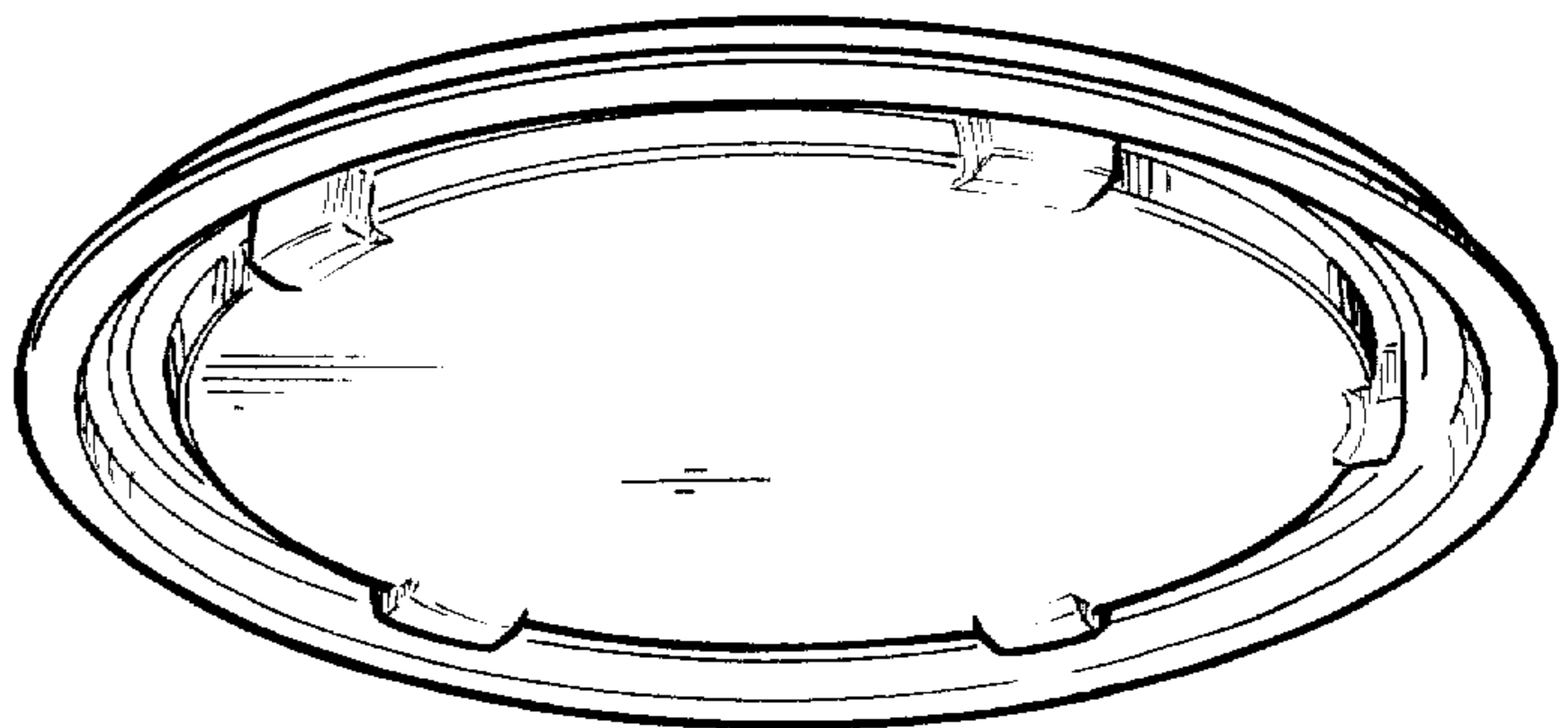


FIG. 6

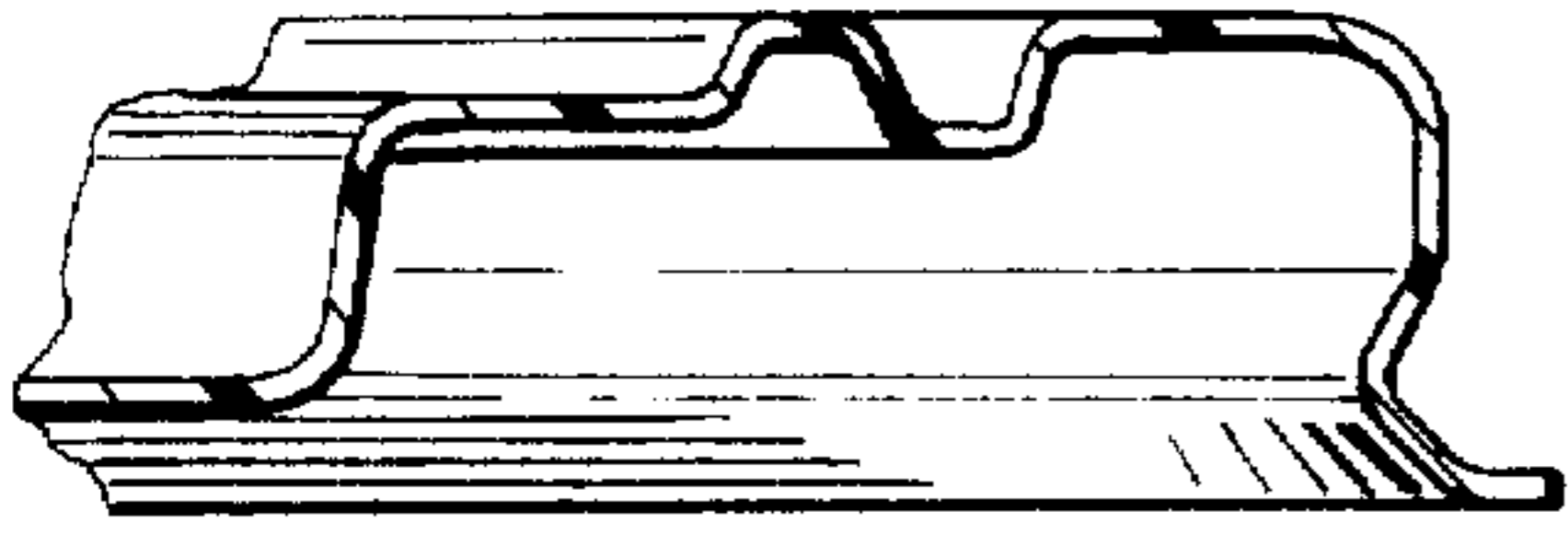


FIG. 11

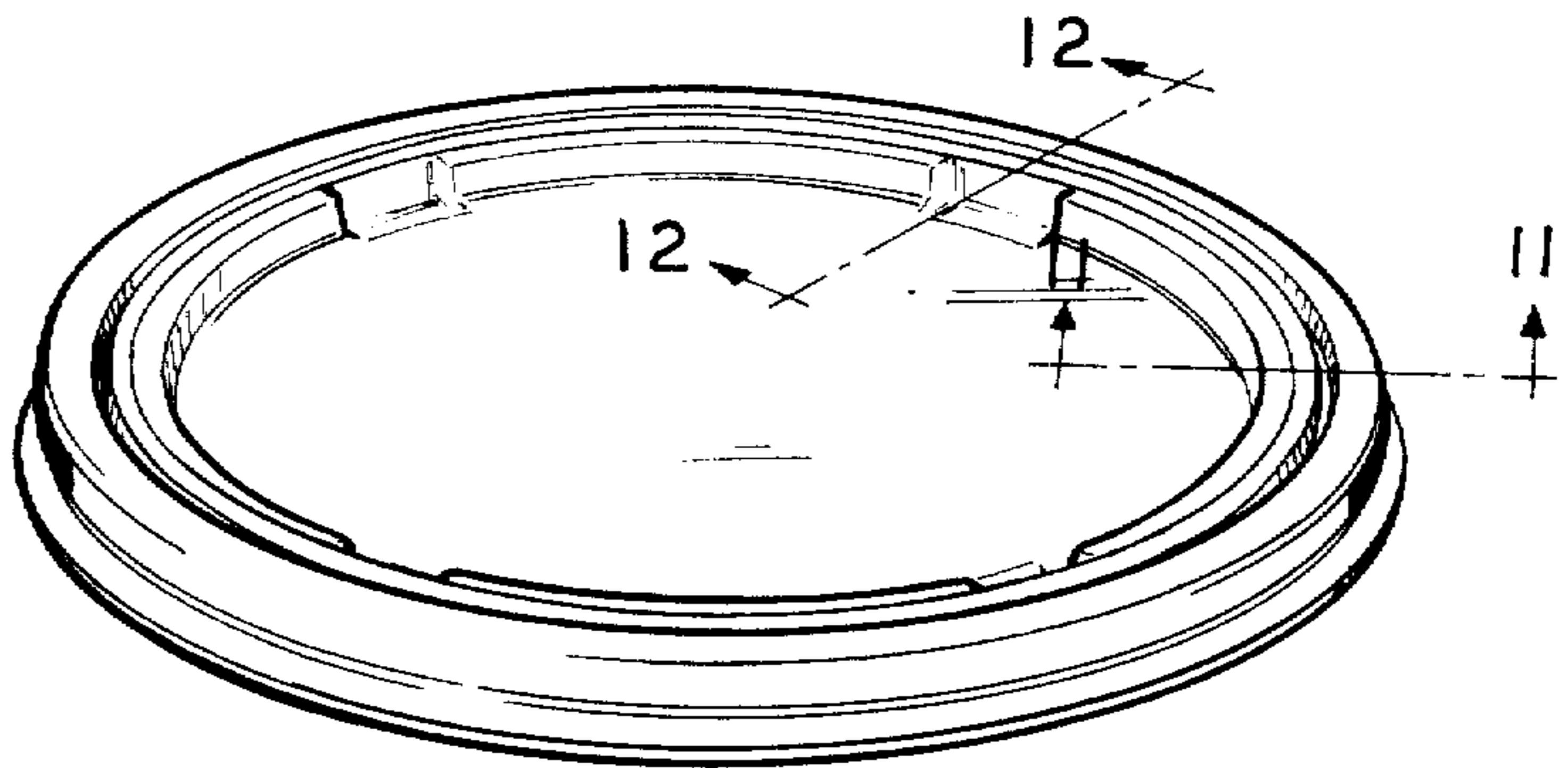


FIG. 9

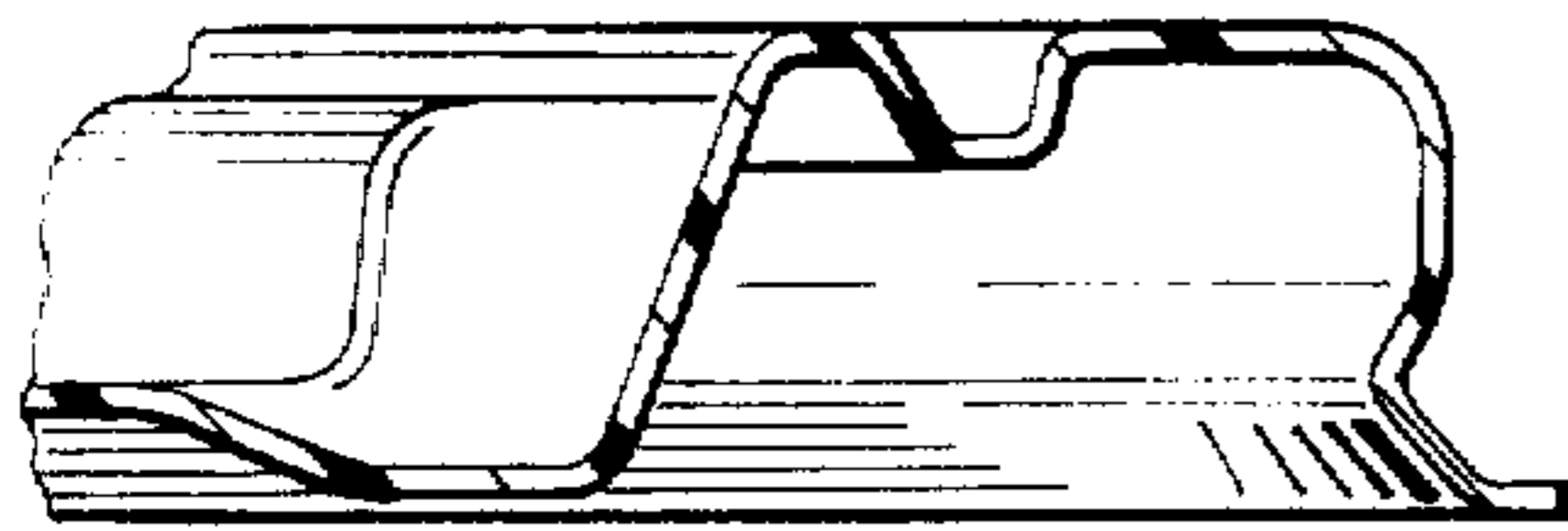


FIG. 12

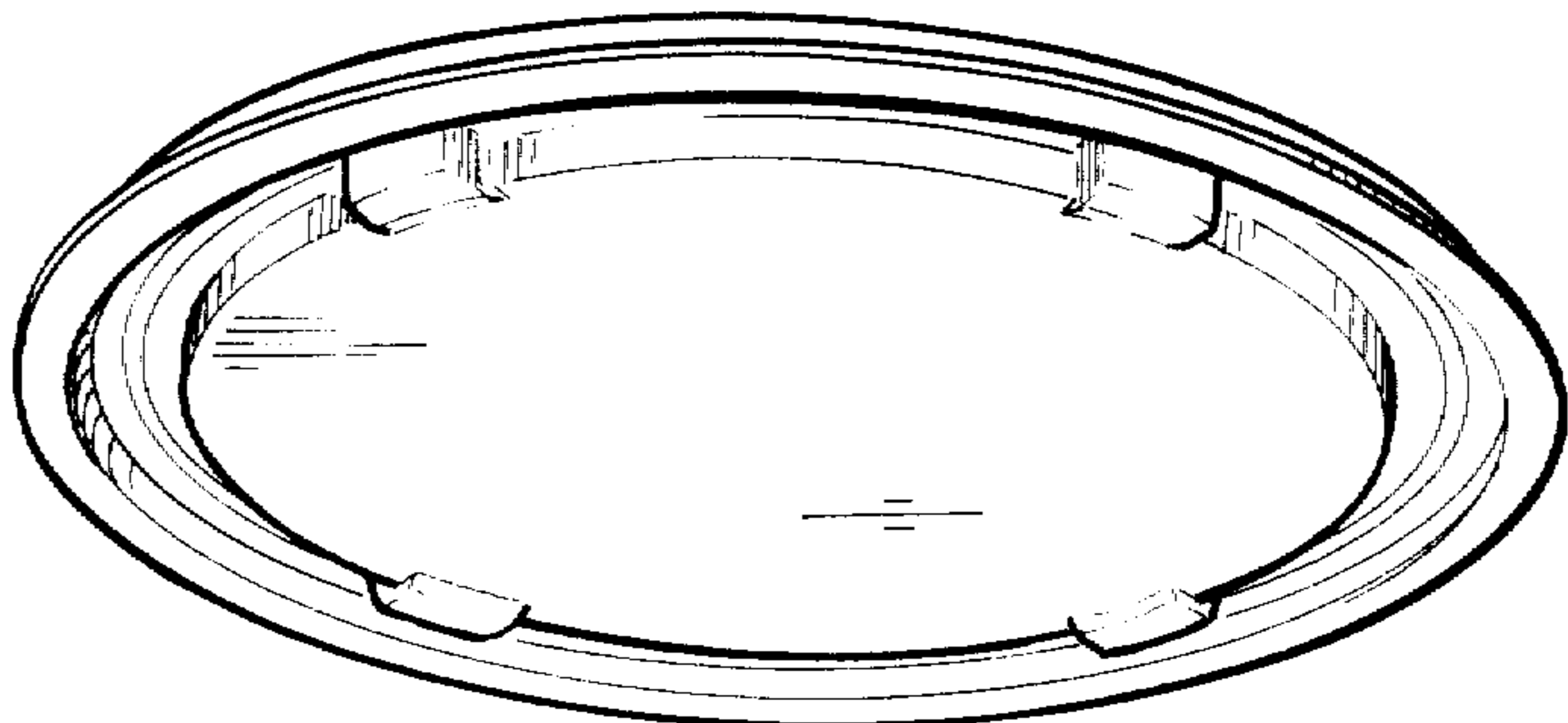


FIG. 10

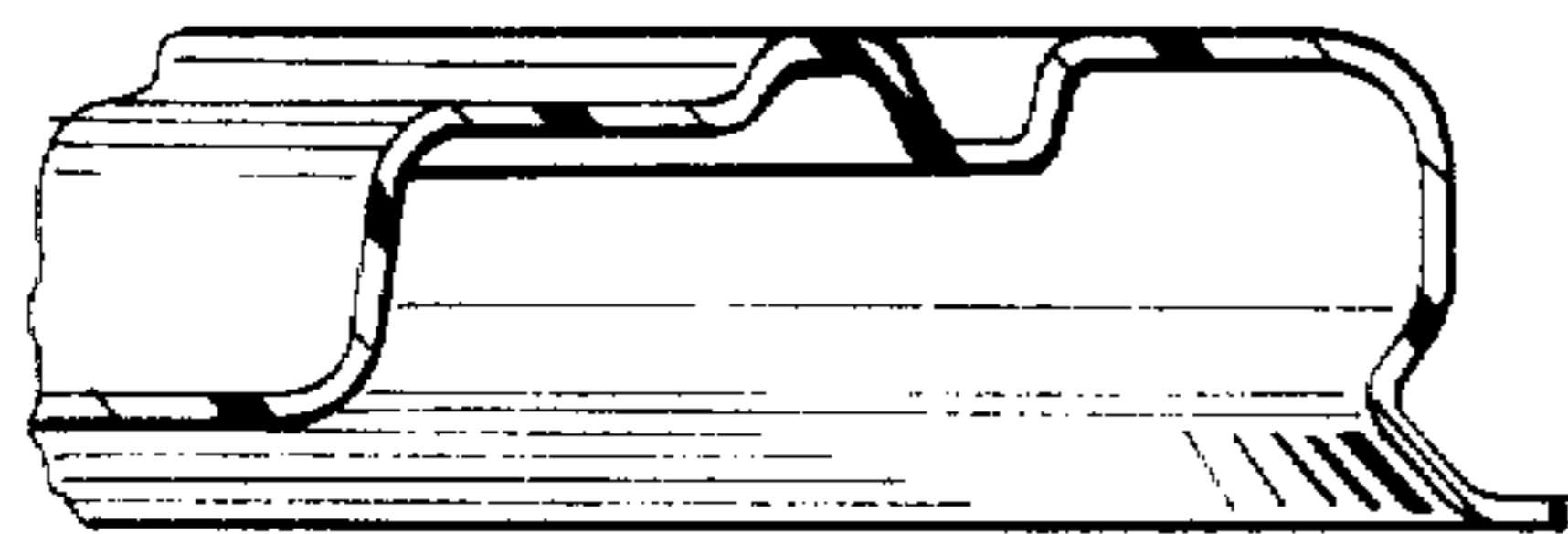


FIG. 15

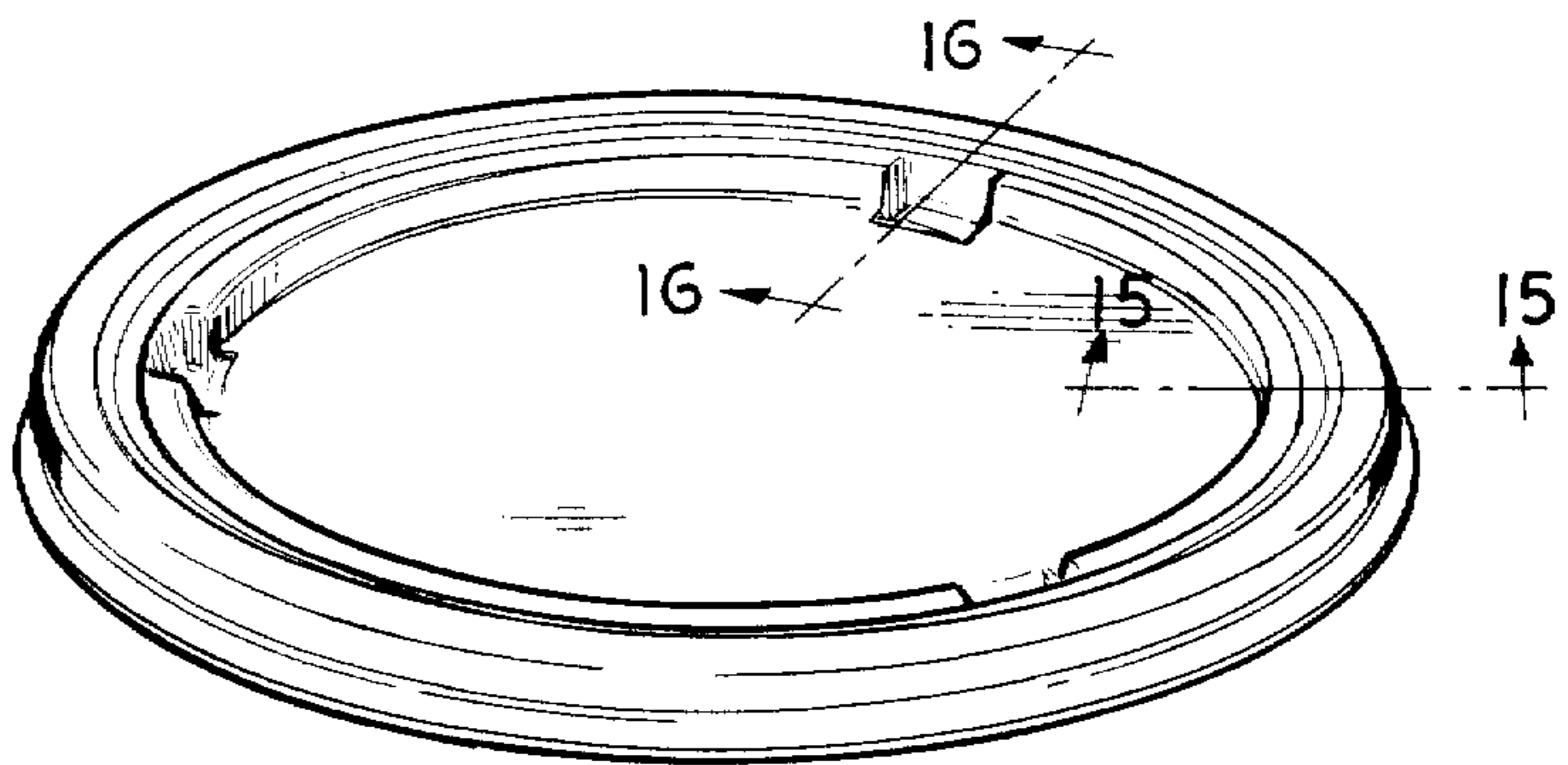


FIG. 13

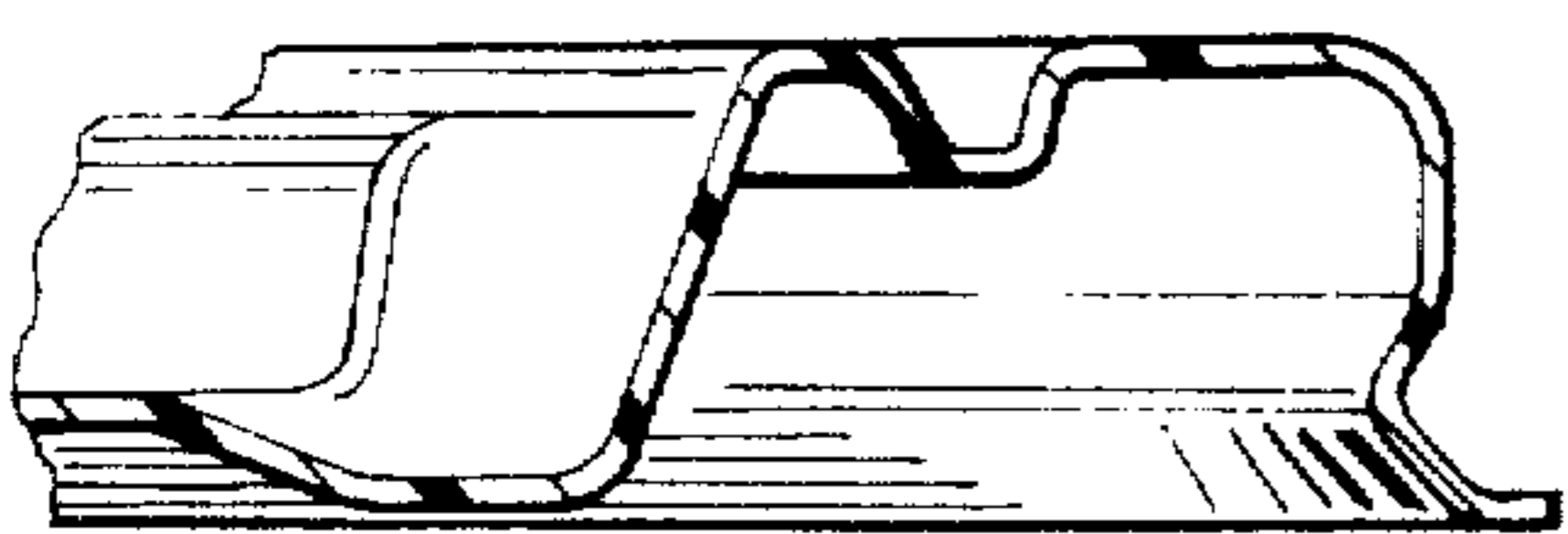


FIG. 16

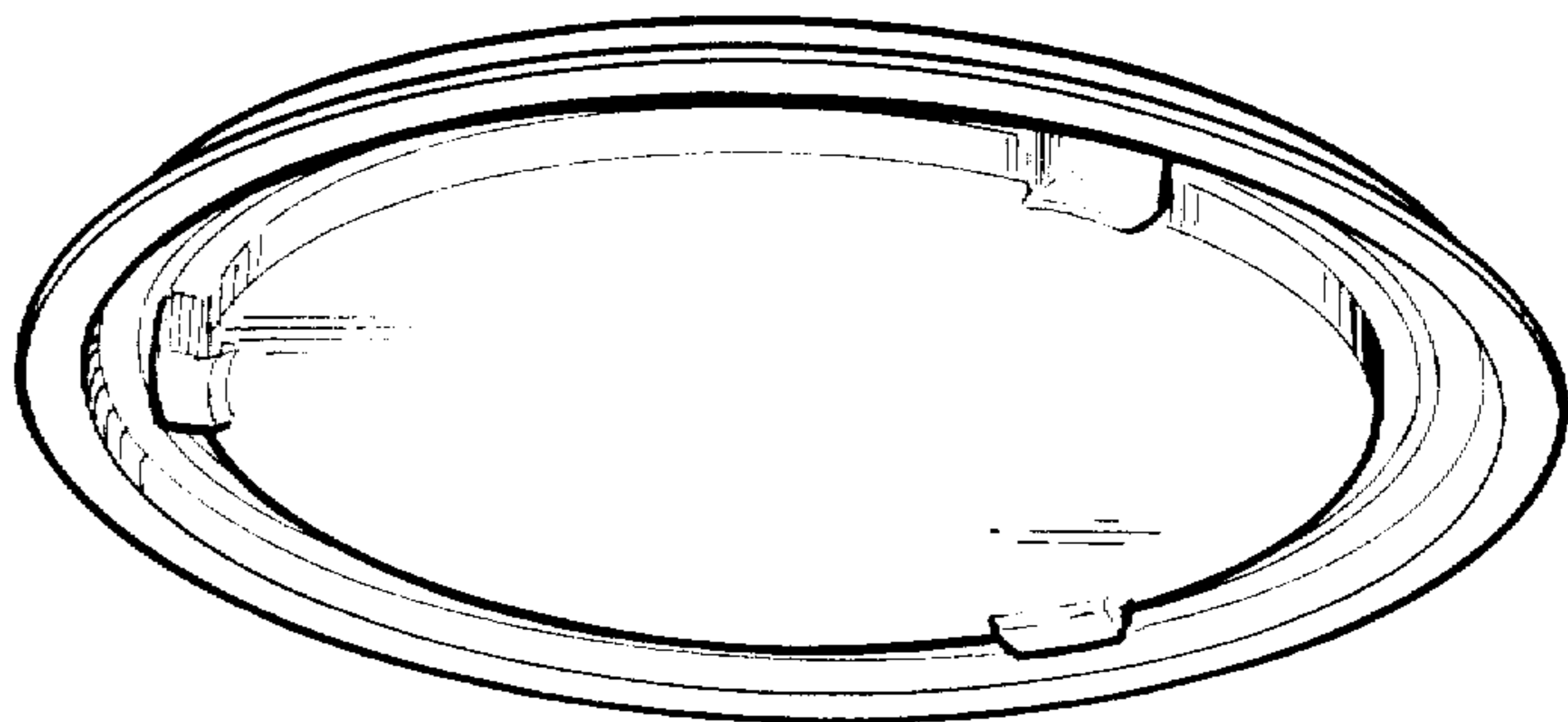


FIG. 14