

[54] **FIREPLACE GRATE OR THE LIKE**

[76] **Inventor:** Donald R. Kerstetter, R.D. No. 1,  
Cameron County, Emporium, Pa.  
15834

[\*\*] **Term:** 14 Years

[21] **Appl. No.:** 581,810

[22] **Filed:** May 29, 1975

[51] **Int. Cl.** ..... D7-08

[52] **U.S. Cl.** ..... D7/207

[58] **Field of Search** ..... D7/207; 126/52 R, 164,  
126/165, 298

[56] **References Cited**

**U.S. PATENT DOCUMENTS**

D. 235,727 7/1975 Dahlquist ..... 126/298  
Re. 28,586 10/1975 Parziale ..... D7/207

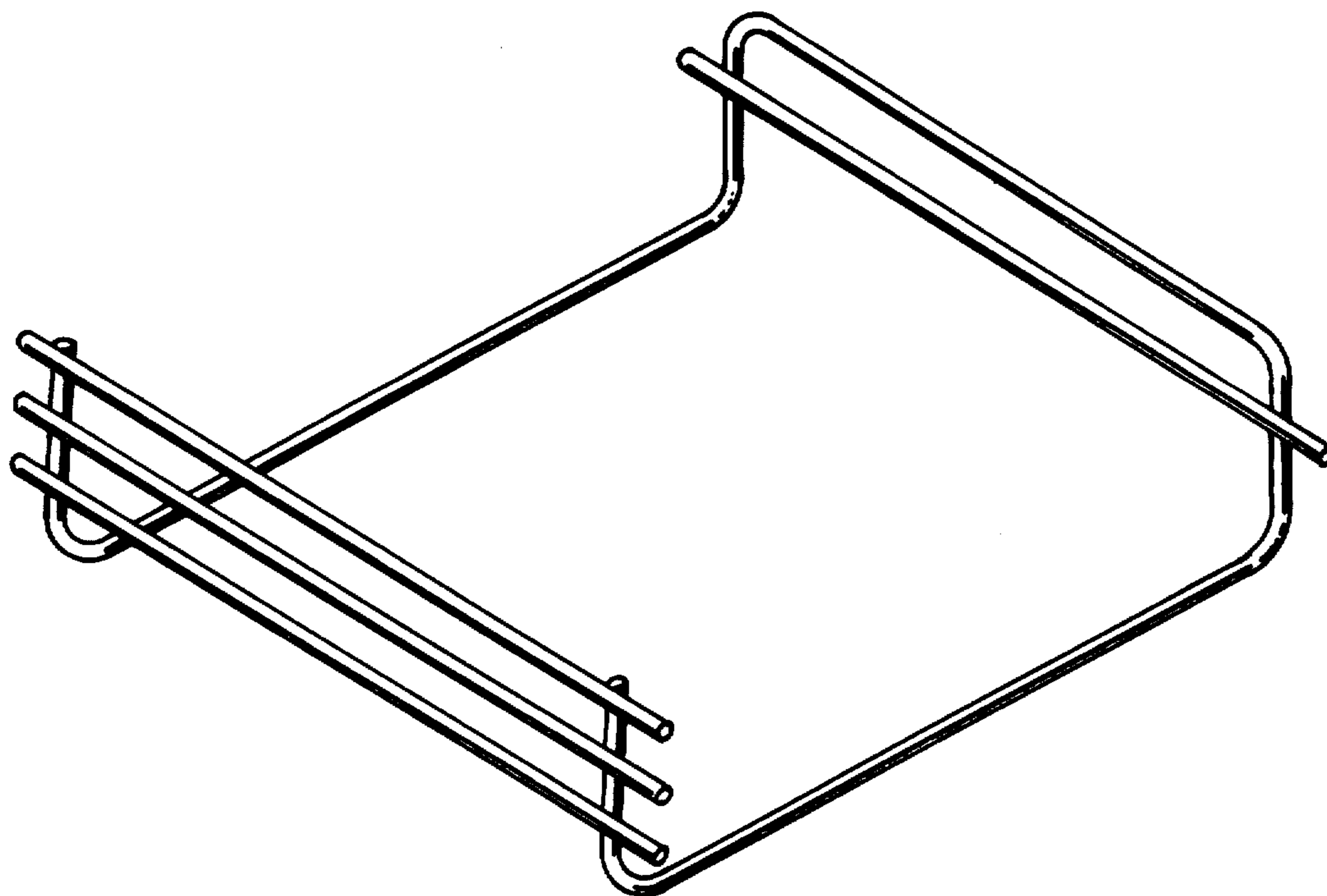
*Primary Examiner*—Wallace R. Burke  
*Attorney, Agent, or Firm*—William H. McNeill

[57] **CLAIM**

The ornamental design for a fireplace grate, as shown.

**DESCRIPTION**

FIG. 1 is a front perspective view of a fireplace grate illustrating my new design;  
FIG. 2 is a rear elevational view thereof;  
FIG. 3 is a side elevational view thereof; and  
FIG. 4 is a front elevational view thereof.



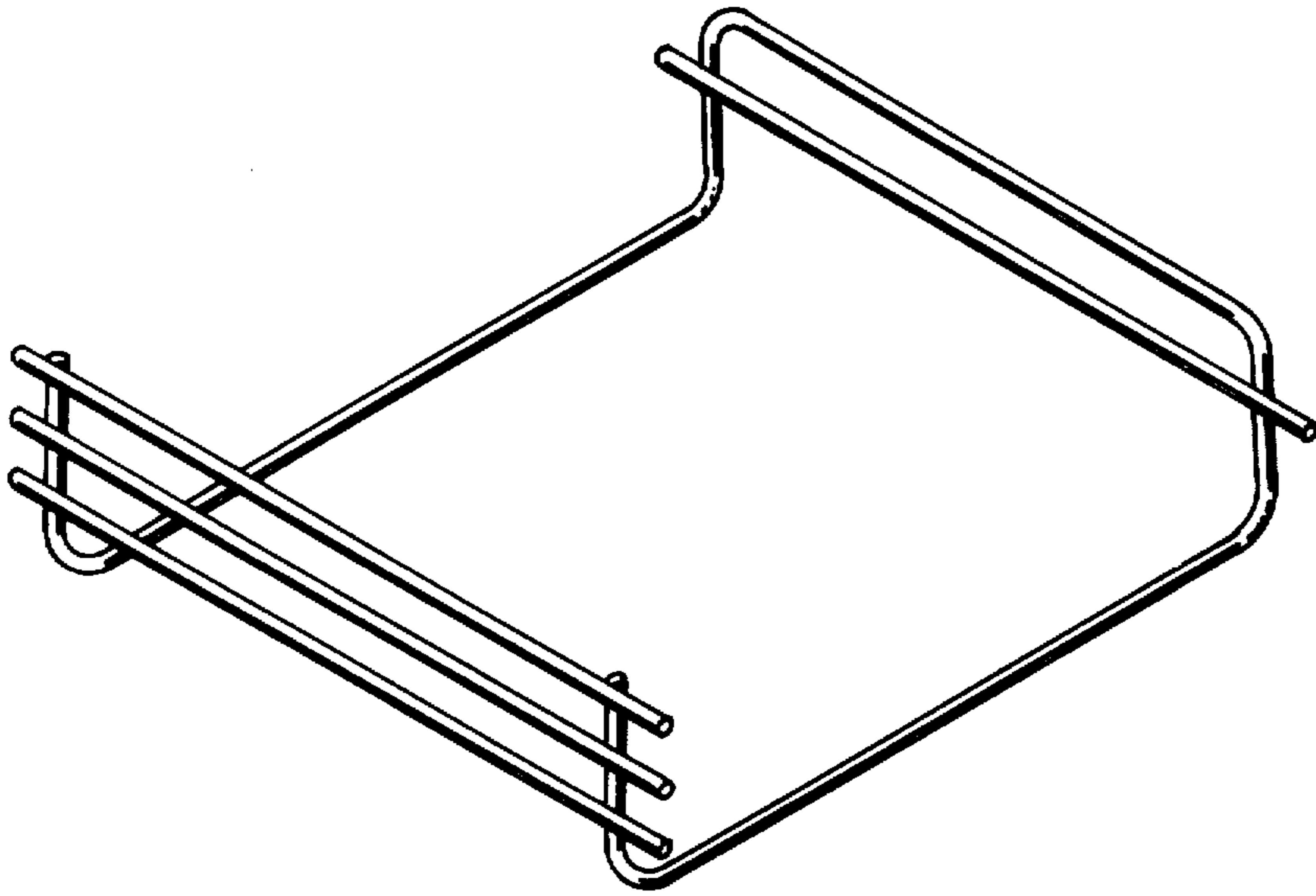


Fig. 1

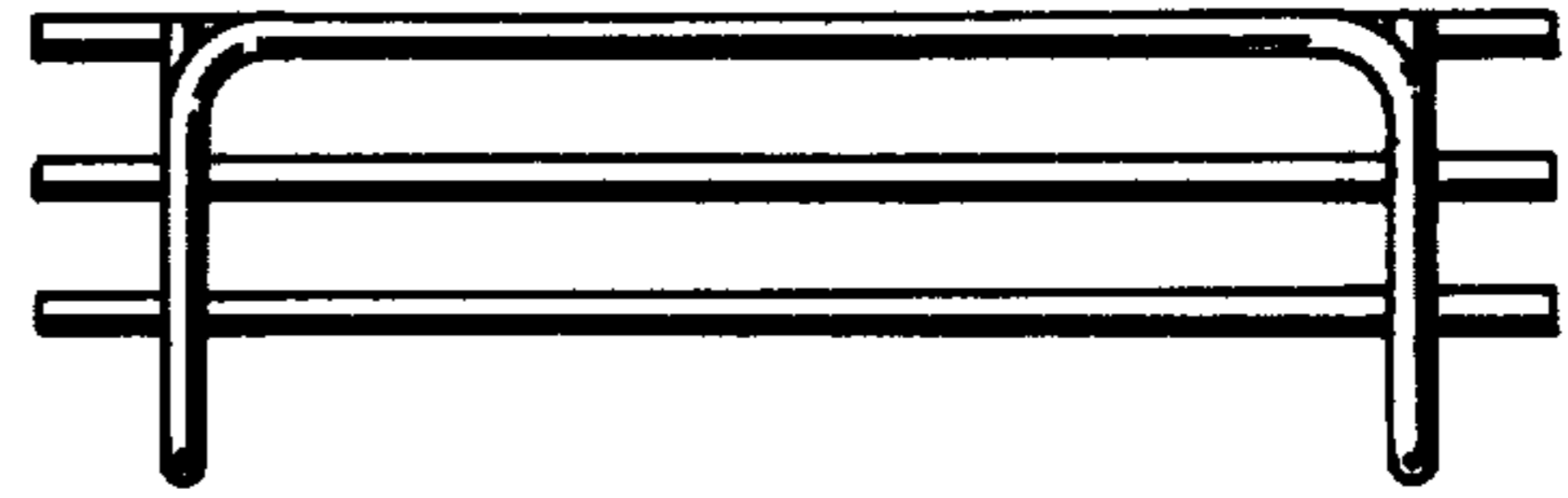


Fig. 2



Fig. 3

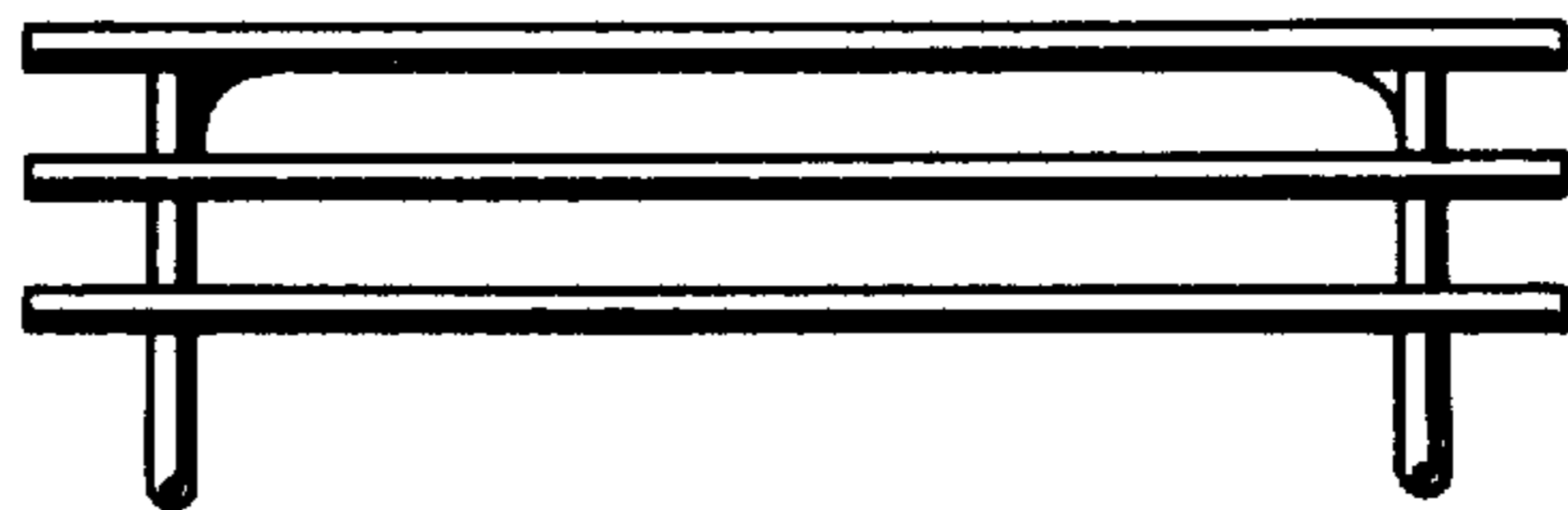


Fig. 4