

[54] **BED FRAME**

[76] Inventor: **Richard M. Baker**, 1368 Berkley St.,
Anaheim, Calif. 92804

[**] Term: **14 Years**

[21] Appl. No.: **516,013**

[22] Filed: **Oct. 18, 1974**

[51] Int. Cl. **D6-01**

[52] U.S. Cl. **D6/84**

[58] Field of Search D6/79, 83, 198, 84;
5/131, 159 R, 200 R, 200 C, 201, 279 R, 279
D, 282 R, 285, 288, 303, 263, 289-302;
312/263, 265, 320

[56]

References Cited

U.S. PATENT DOCUMENTS

3,754,805 8/1973 Pangburn 312/111

Primary Examiner—Joel Stearman

Assistant Examiner—Louis S. Zarfes

Attorney, Agent, or Firm—Philip M. Hinderstein

[57]

CLAIM

The ornamental design for a bed frame, as shown and described.

DESCRIPTION

FIG. 1 is a top perspective view of a bed frame showing my new design;

FIG. 2 is a bottom perspective view thereof; and

FIG. 3 is an enlarged, fragmentary, perspective view of one of the corners thereof, all of which corners are identical.

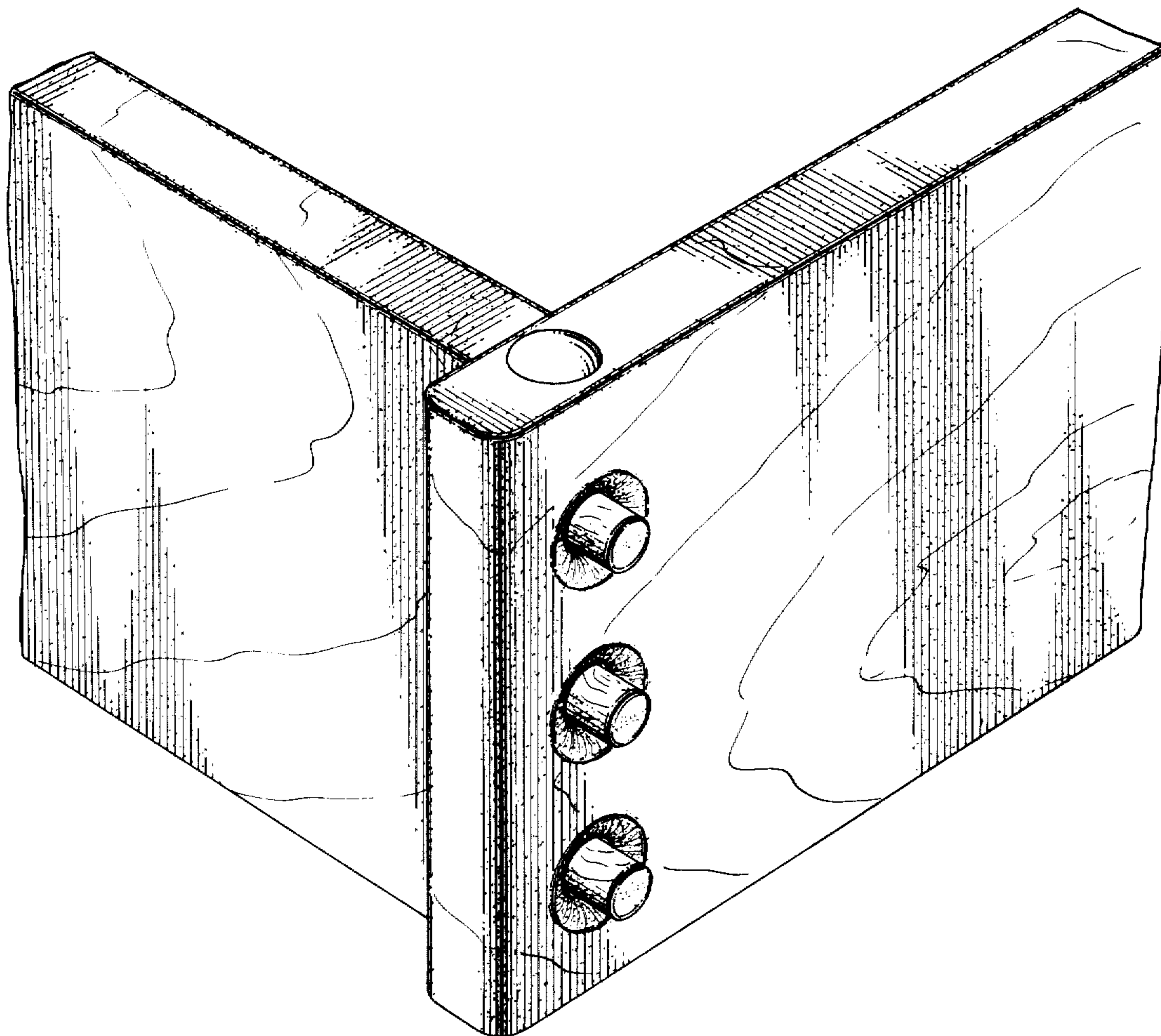


FIG. 1.

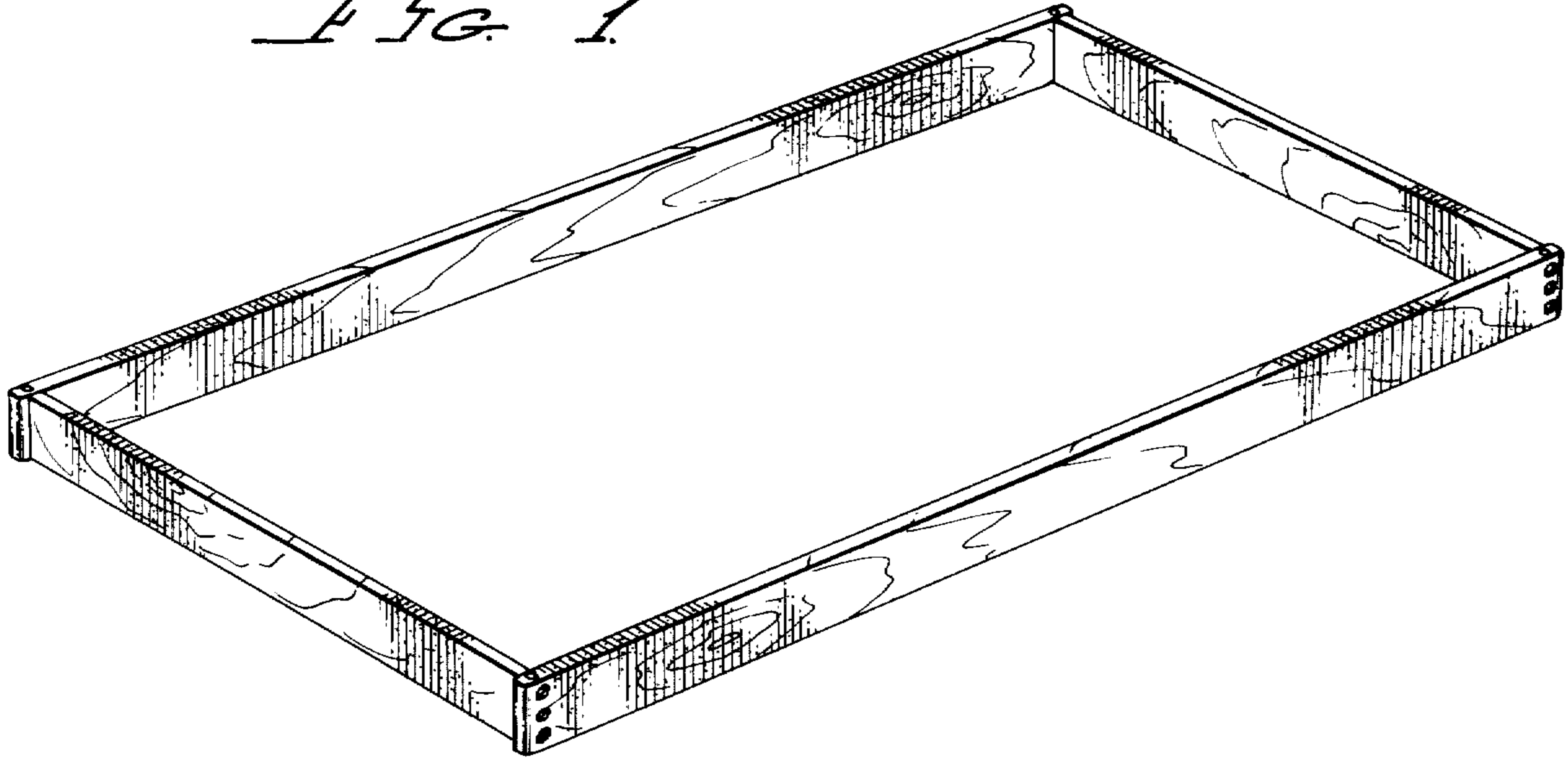


FIG. 2.

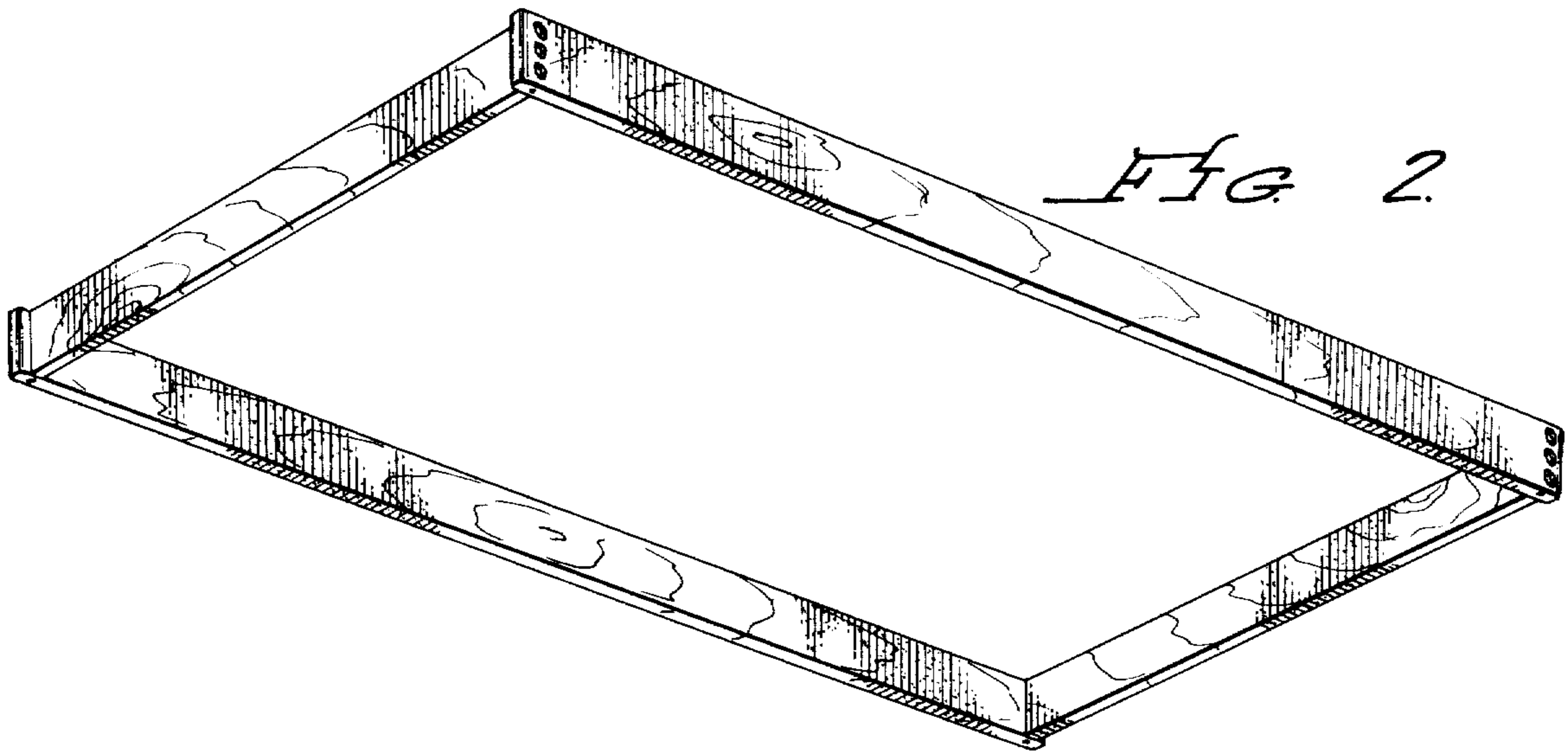


FIG. 3.

