

[54] CHILD'S COT

[76] Inventor: Joseph Kormos, 892 Herberton Place, Burlington, Ontario, Canada

[**] Term: 14 Years

[21] Appl. No.: 574,422

[22] Filed: May 5, 1975

[30] Foreign Application Priority Data

Feb. 3, 1975 Canada 302751

[51] Int. Cl. D6-01

[52] U.S. Cl. D6/14

[58] Field of Search D6/1, 5, 6, 15, 79, D6/84, 177, 27, 198, 14; 108/153, 154, 157, 161; 5/1, 2 R, 93 R, 93 B, 99 R, 99 B, 310, 110-111, 131, 132, 174, 178, 200 R, 200 B, 201, 202, 285; D34/5 J

[56]

References Cited

U.S. PATENT DOCUMENTS

264,137	9/1882	Case	5/110
490,888	1/1893	Sanguinetti	5/2 R
1,014,848	1/1912	Reinert	5/110
2,462,685	2/1949	Sproll	5/110
D. 188,176	6/1960	Billhimer	D6/15

Primary Examiner—Melvin B. Feifer
Assistant Examiner—Louis S. Zarfes
Attorney, Agent, or Firm—Stanley J. Rogers

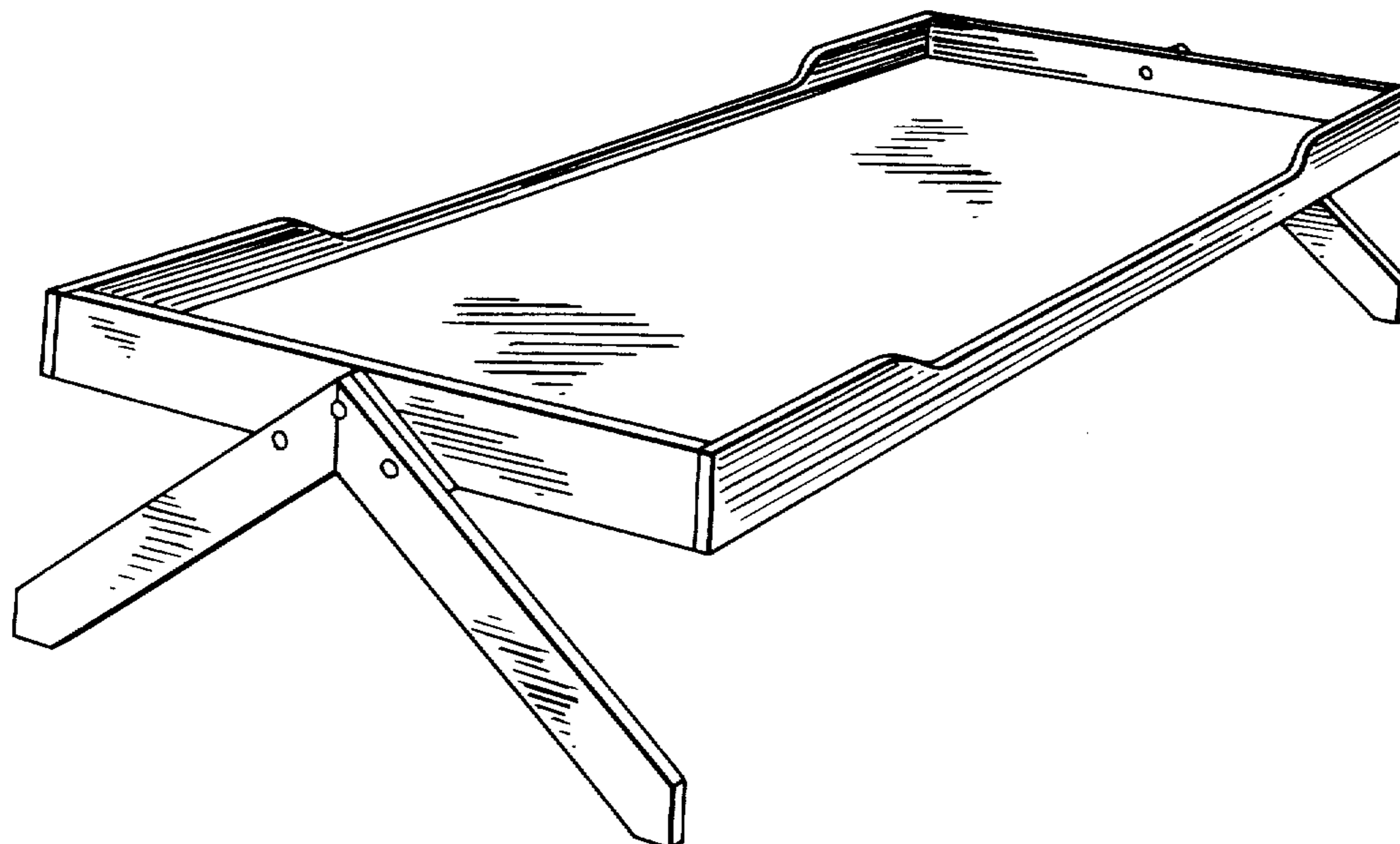
[57]

CLAIM

The ornamental design for a child's cot, as shown and described.

DESCRIPTION

FIG. 1 is a top front perspective view of a child's cot showing my new design; and
FIG. 2 is a bottom rear perspective view thereof.



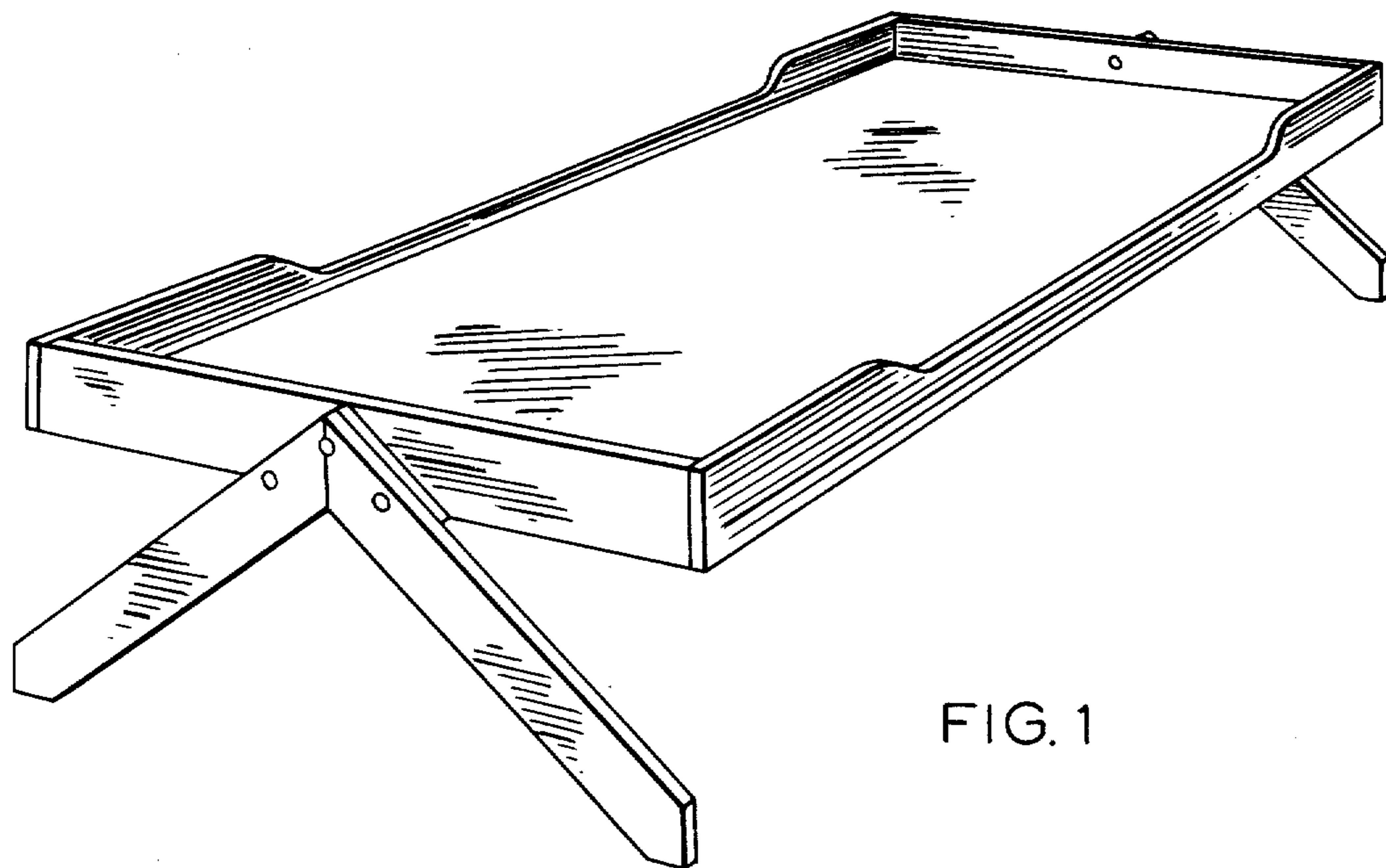


FIG. 1

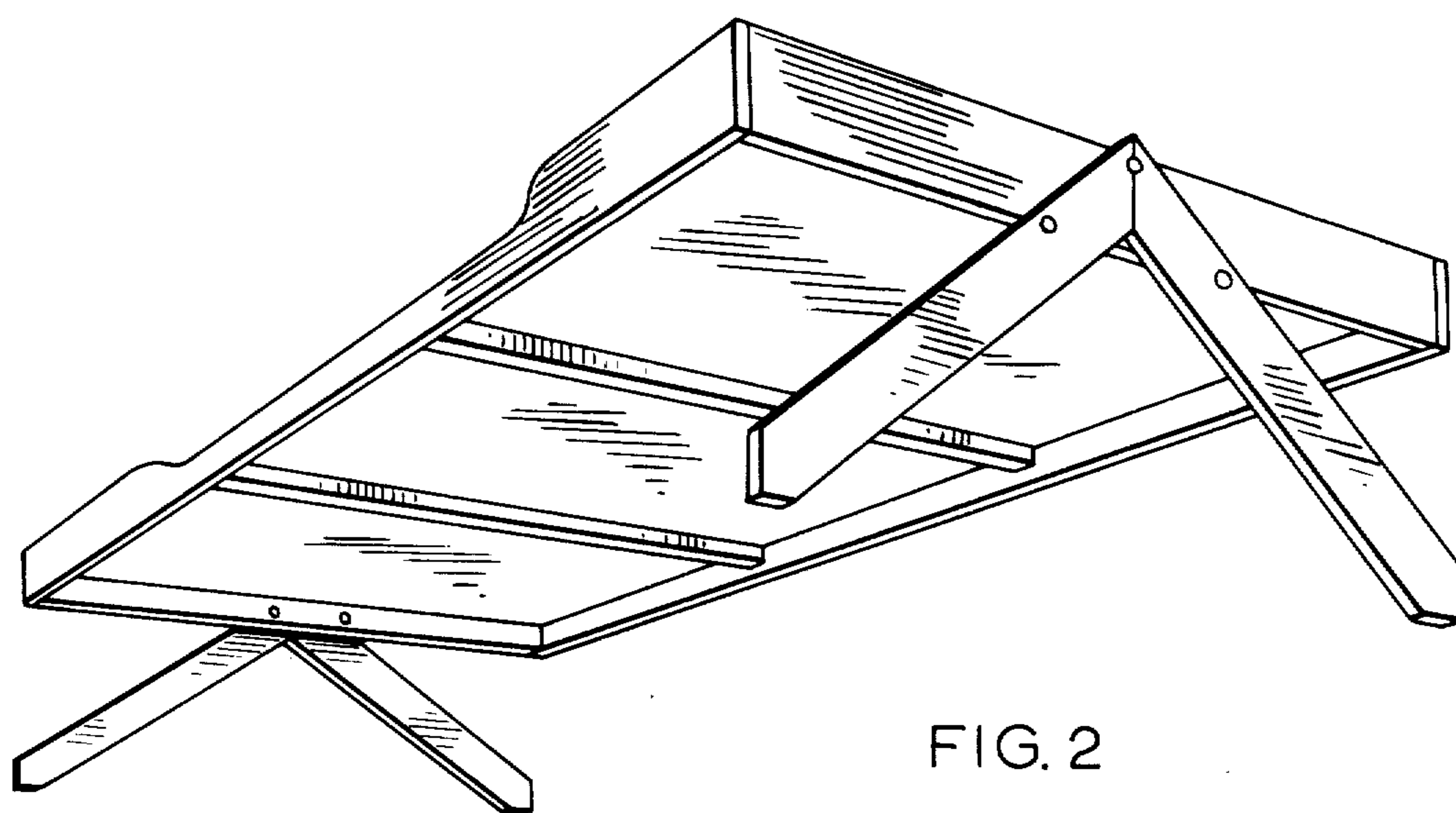


FIG. 2