

[54] LINING FOR ASH TRAY, DUST BIN AND THE LIKE

[75] Inventor: Alf B. Magnusson, Goteborg, Sweden

[73] Assignee: Bengt Petersson New Products Investment AB, Goteborg, Sweden

[\*\*] Term: 14 Years

[21] Appl. No.: 480,117

[22] Filed: June 17, 1974

[30] Foreign Application Priority Data

Jan. 11, 1974 Sweden ..... 46/74

[51] Int. Cl. .... D27-03

[52] U.S. Cl. .... D27/8

[58] Field of Search ..... D27/8, 9, 14, 43, 44, D27/51; D85/2 A, 2 D, 2 H, 2 L; D7/193, 162; D9/249; 229/3.1, 14 R-14 BE, 53, 54 R, 54 C, 57, 58; 131/174, 231, 235-238, 240 R, 256

[56] References Cited

U.S. PATENT DOCUMENTS

2,182,872	12/1939	Karl .....	229/14 R
2,298,146	10/1942	Mersbach .....	131/231 X
2,705,962	4/1955	Webke .....	229/14 R
2,796,067	6/1957	McCutcheon et al. ....	D27/14 X
D. 78,242	4/1929	West .....	D27/10

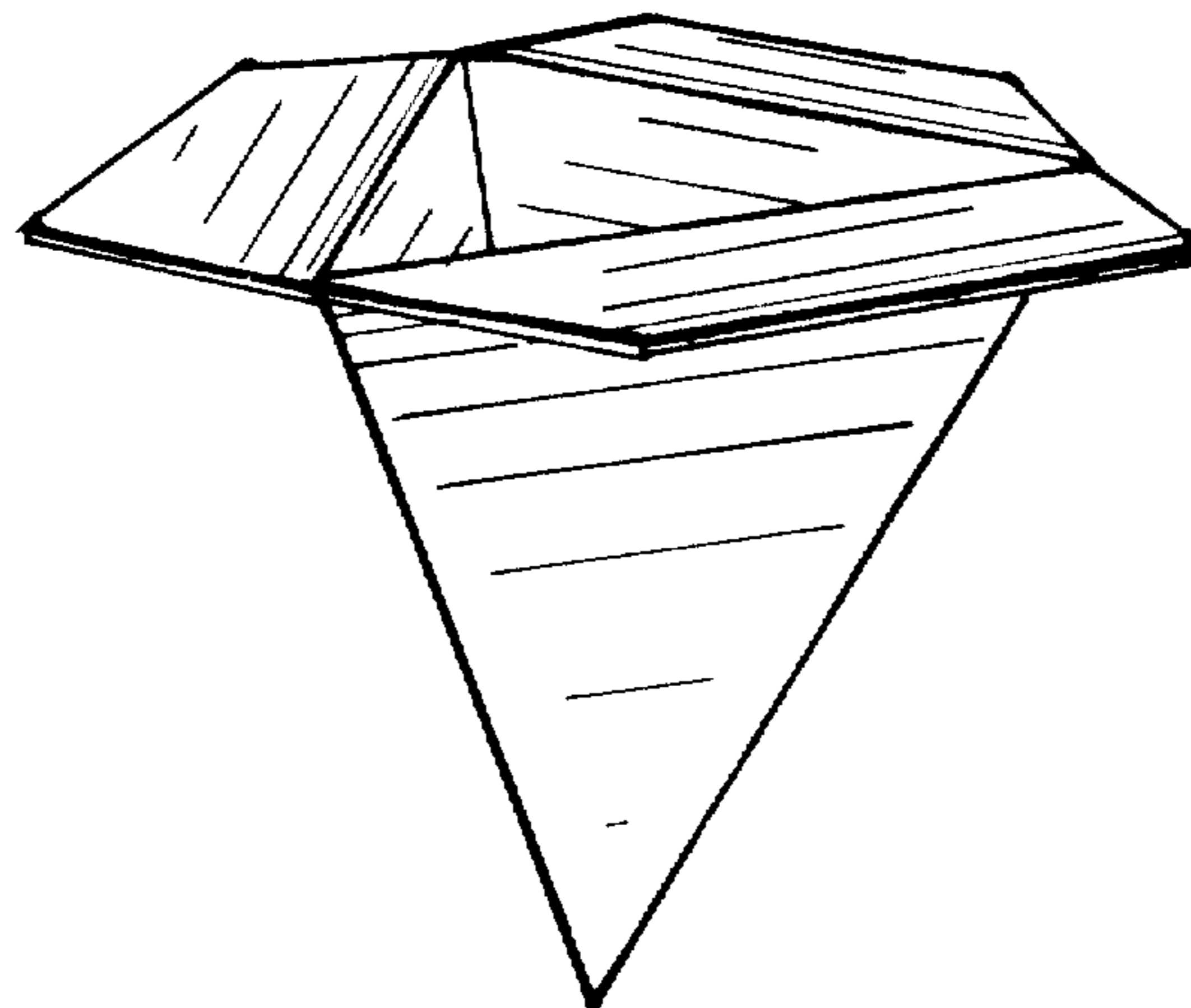
Primary Examiner—Joel Stearman  
Assistant Examiner—Louis S. Zarfes  
Attorney, Agent, or Firm—Robert Osann

[57] CLAIM

The ornamental design for a lining for ash tray, dust bin, and the like, substantially as shown.

DESCRIPTION

FIG. 1 is perspective view from a side of a lining for ashtray, dust bin and the like, showing my new design; FIG. 2 is a perspective view from the top thereof; FIG. 3 is a top plan view thereof; and FIG. 4 is a side elevation thereof, each of the three sides being the same.



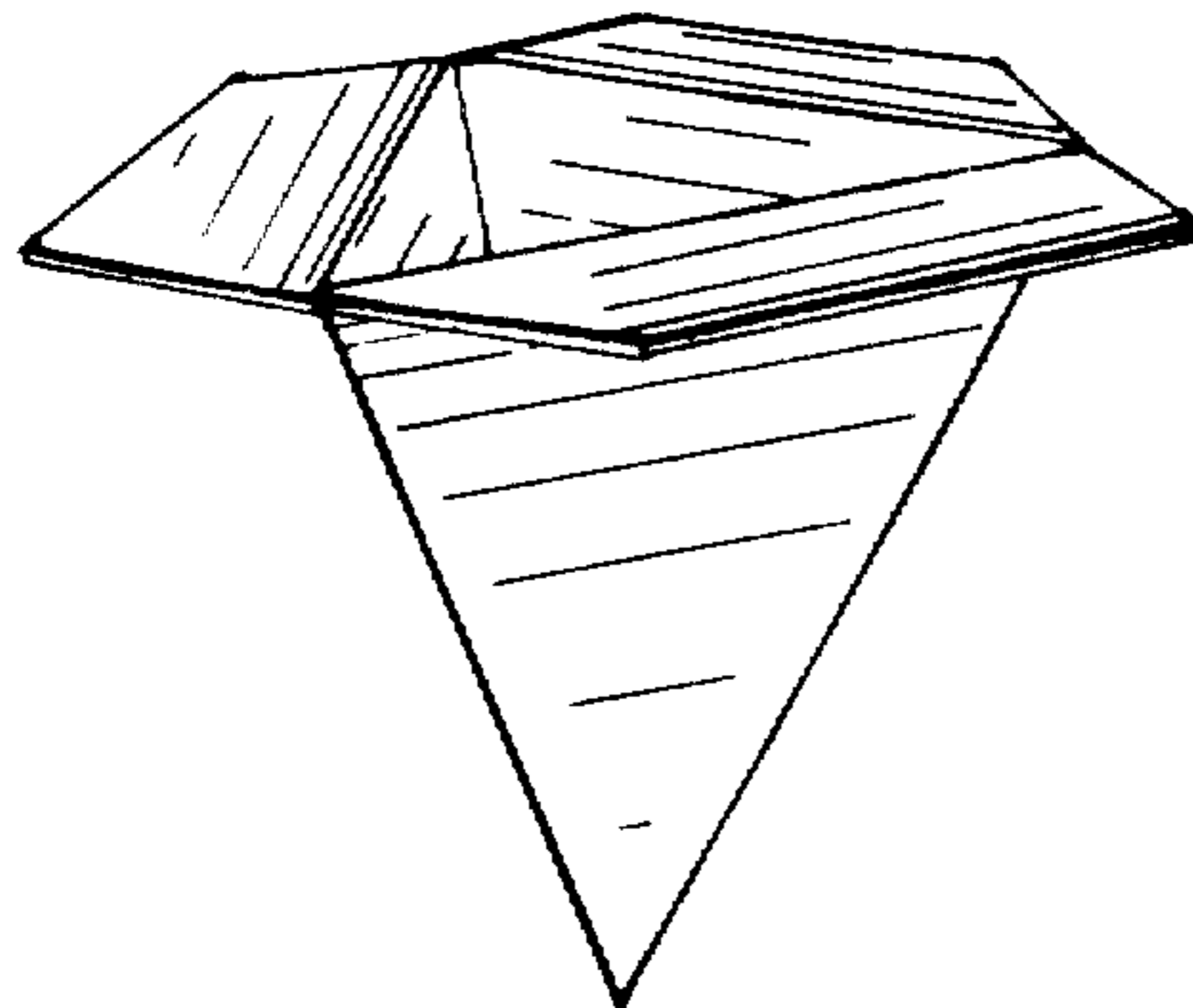


FIG. 1

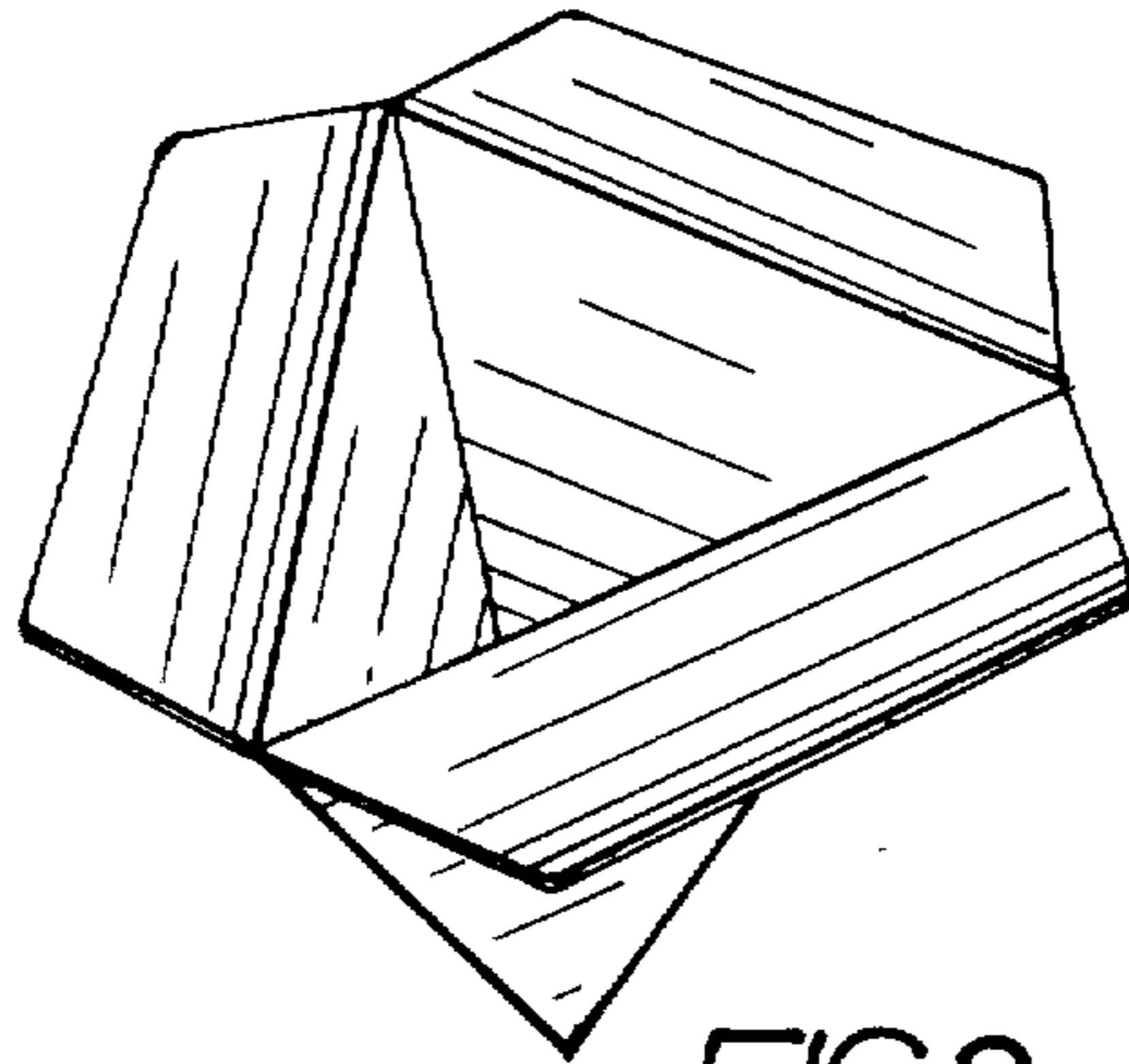


FIG. 2

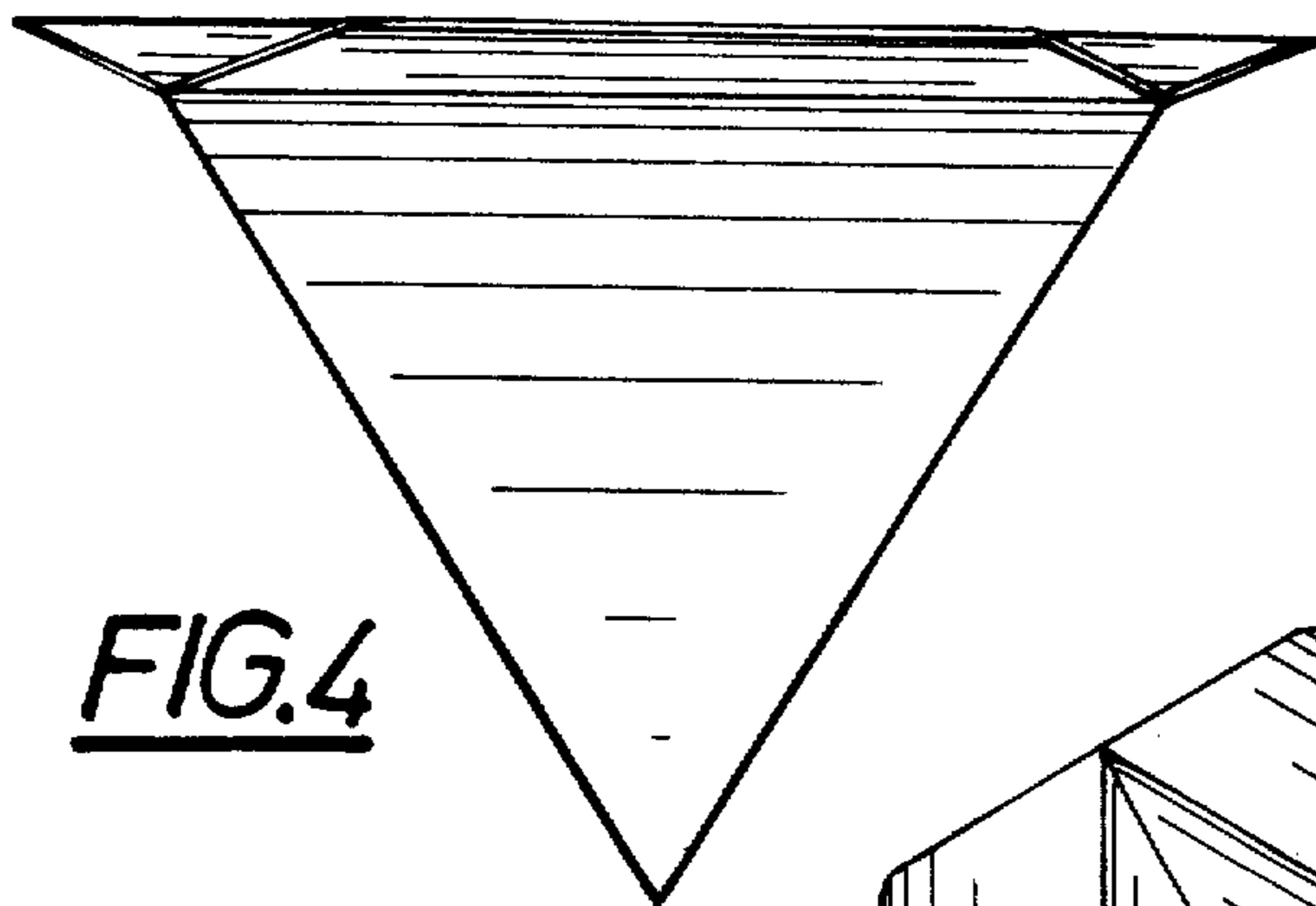


FIG. 4

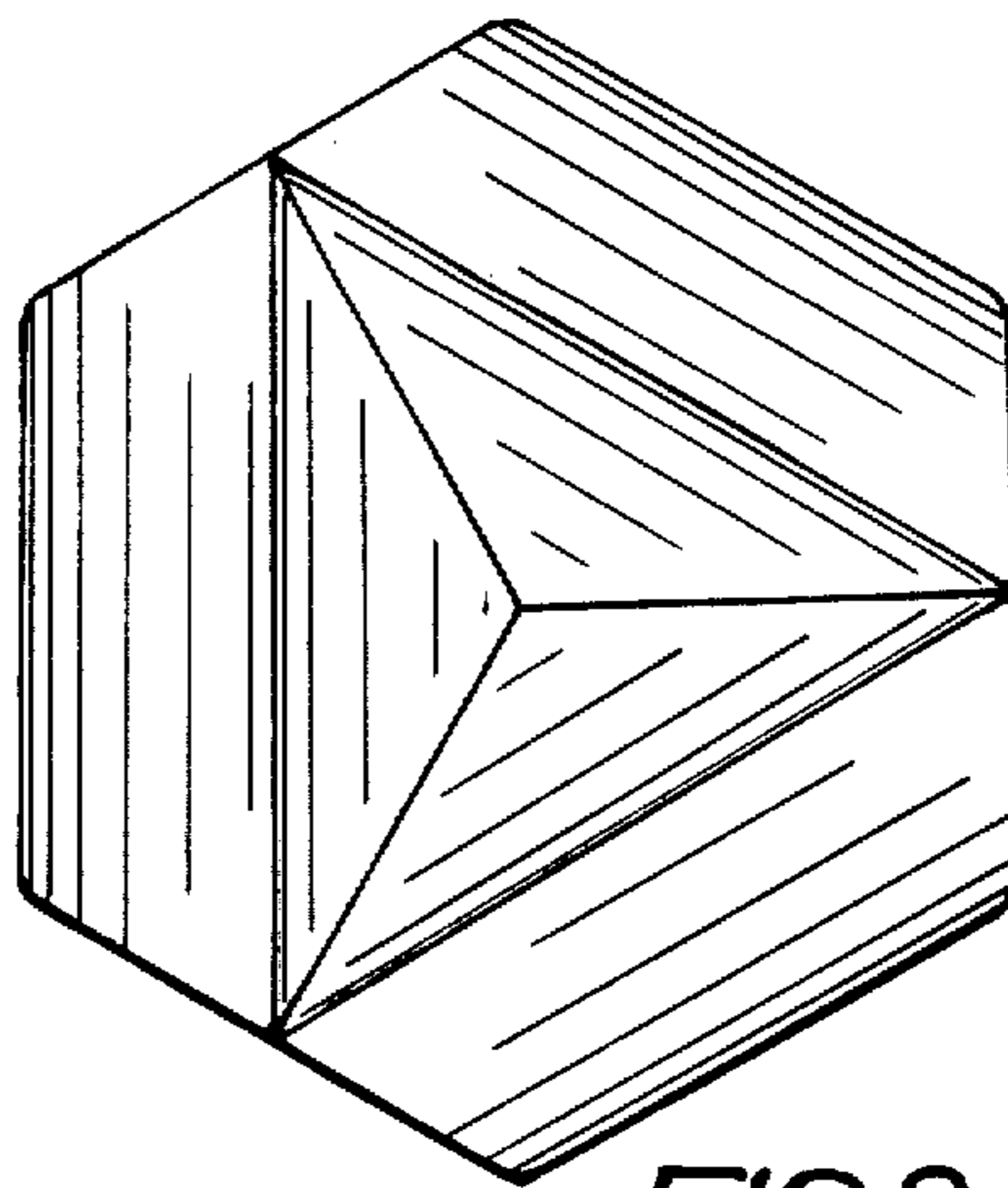


FIG. 3