

[54] COMBINED DENTAL TRAY AND CONTROL UNIT THEREFOR

[75] Inventor: Robert H. Meyer, Newberg, Oreg.

[73] Assignee: A-DEC, Inc., Newberg, Oreg.

[\*\*] Term: 14 Years

[21] Appl. No.: 657,147

[22] Filed: Feb. 11, 1976

[51] Int. Cl. .... D24-02

[52] U.S. Cl. .... D24/1 B

[58] Field of Search ..... 32/22, 23; D24/1 B; 312/209; D83/1 F

[56] References Cited

U.S. PATENT DOCUMENTS

3,650,033	3/1972	Behne et al. ....	32/22
3,718,974	3/1973	Buchtel et al. ....	32/22

3,722,095	3/1973	Pietschmann .....	32/22
3,762,051	10/1973	Valeska .....	32/22
D. 211,689	7/1968	Olsen .....	D24/1 B
D. 218,165	7/1970	Schleicher et al. ....	D24/1 B

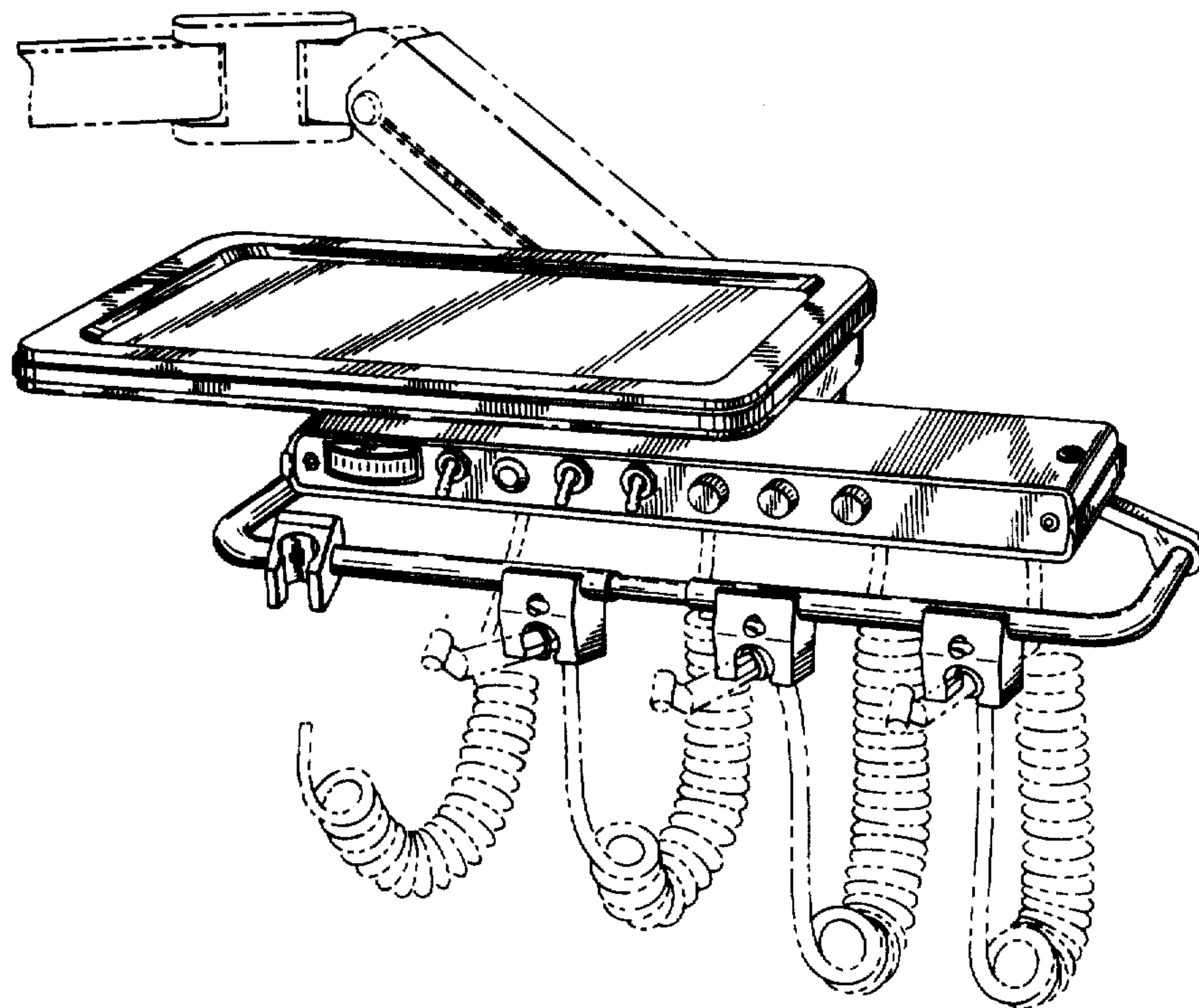
Primary Examiner—Bernard Ansher  
Attorney, Agent, or Firm—Kenneth S. Klarquist

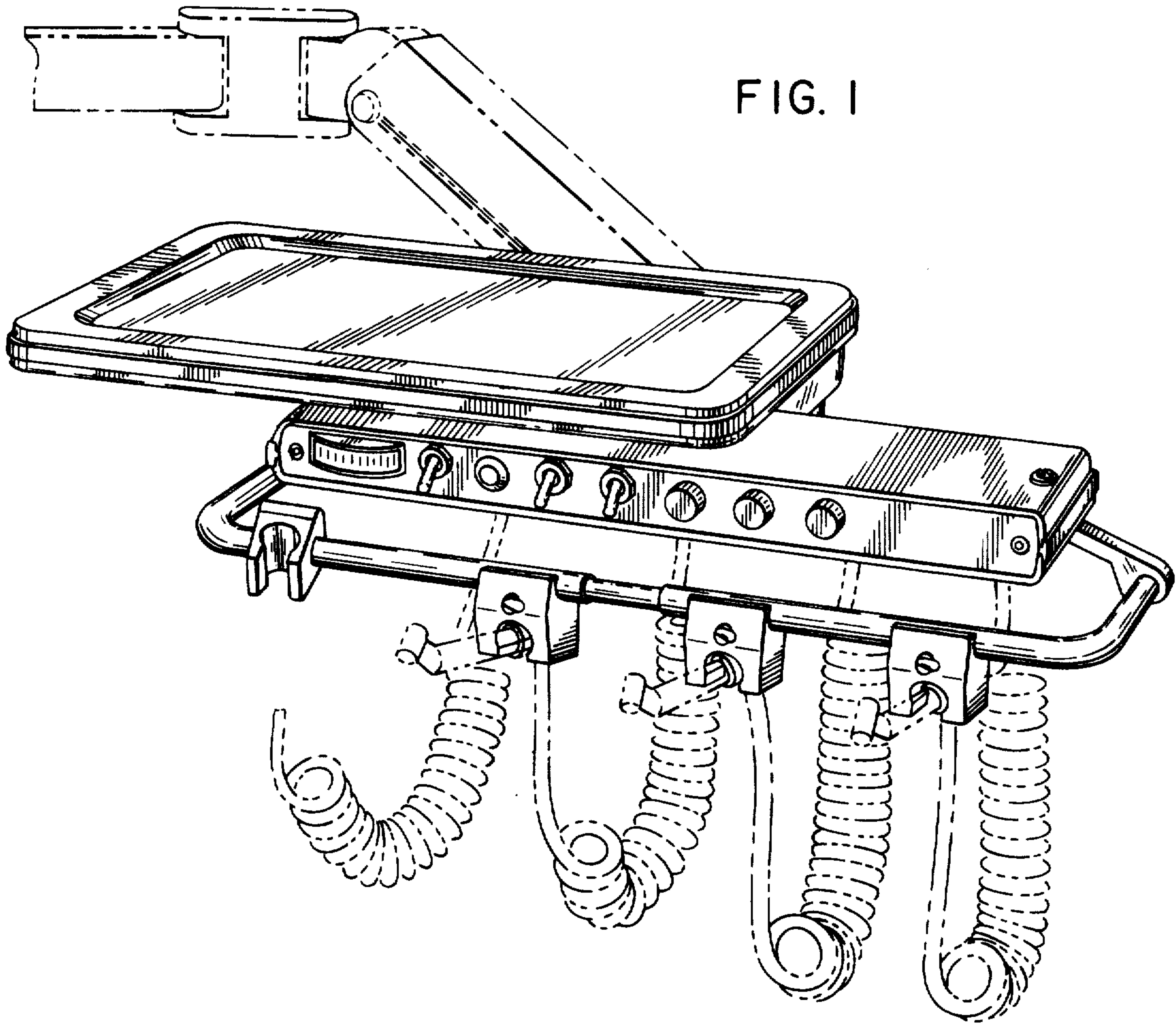
[57] CLAIM

The ornamental design for a combined dental tray and control unit therefor, as shown and described.

DESCRIPTION

FIG. 1 is a front perspective of a combined dental tray and control unit showing my new design; FIG. 2 is a rear perspective thereof; FIG. 3 is a bottom view taken in an alternate position of FIG. 2; and FIG. 4 is a rear view thereof. The broken lines are shown for illustrative purposes only.





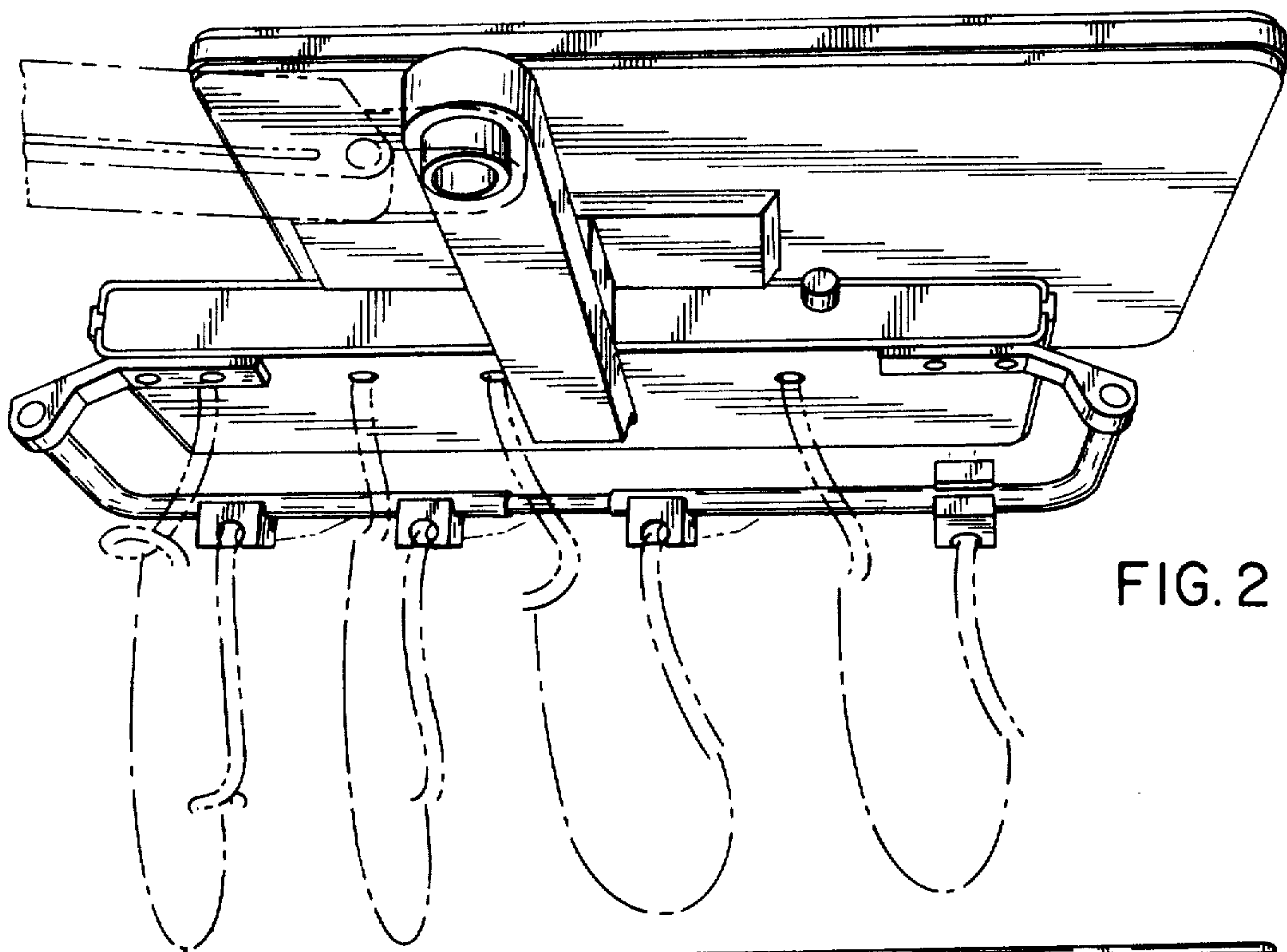


FIG. 2

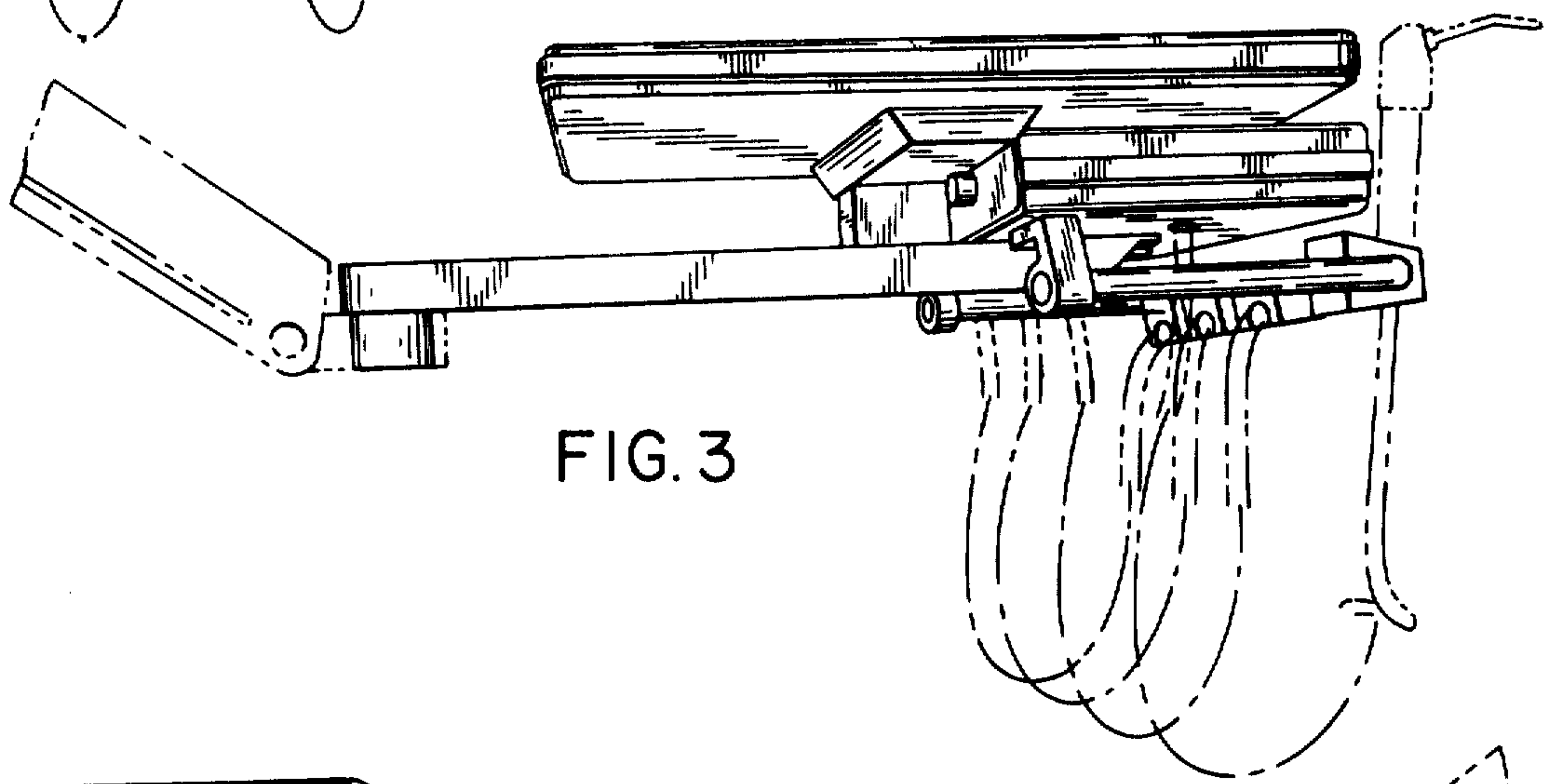


FIG. 3

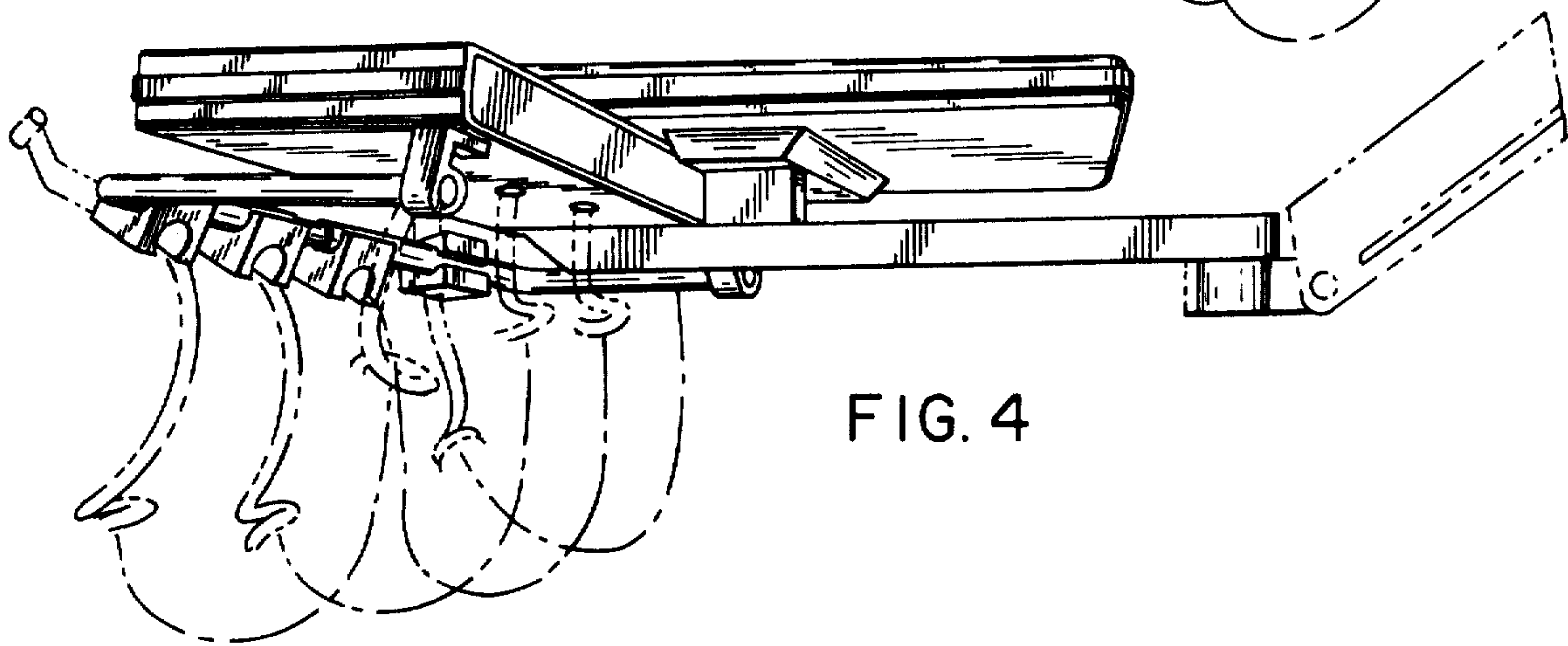


FIG. 4