

[54] SELF-CONTAINED SOLAR HEATING SYSTEM MODULE

[76] Inventors: Kenneth E. Parker, 6121 Belen St., Long Beach, Calif. 90815; Alvin L. Ottum, 296 Vista Conejo, Newbury Park, Calif. 91320

[**] Term: 14 Years

[21] Appl. No.: 655,009

[22] Filed: Feb. 3, 1976

[51] Int. Cl. D23-03

[52] U.S. Cl. D23/127

[58] Field of Search D23/127, 72; 126/271

[56] References Cited

U.S. PATENT DOCUMENTS

1,889,238	11/1932	Clark	126/271
2,122,821	7/1938	Mohr	126/271

Primary Examiner—Alan P. Douglas
Attorney, Agent, or Firm—Gerald Singer

[57] CLAIM

The ornamental design for a self-contained solar heating system module, substantially as shown and described.

DESCRIPTION

FIG. 1 is a front perspective view of the self-contained solar heating system module showing my new design; FIG. 2 is a back elevation view thereof; FIG. 3 is a right side elevation view thereof, the undisclosed left side is the same in appearance as the side shown; FIG. 4 is a top plan view thereof; FIG. 5 is a front elevation view thereof; and FIG. 6 is a bottom plan view thereof.

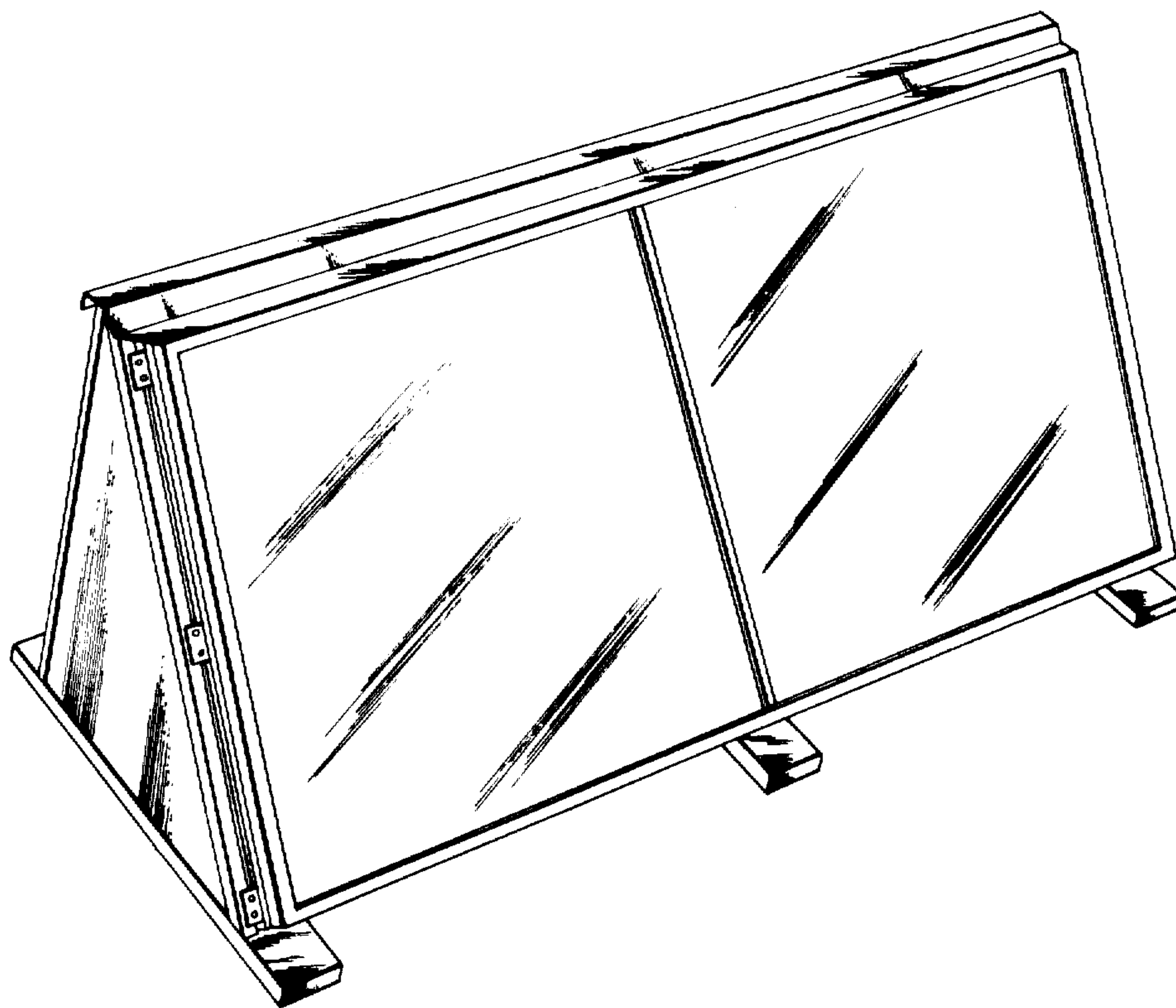


Fig. 1.

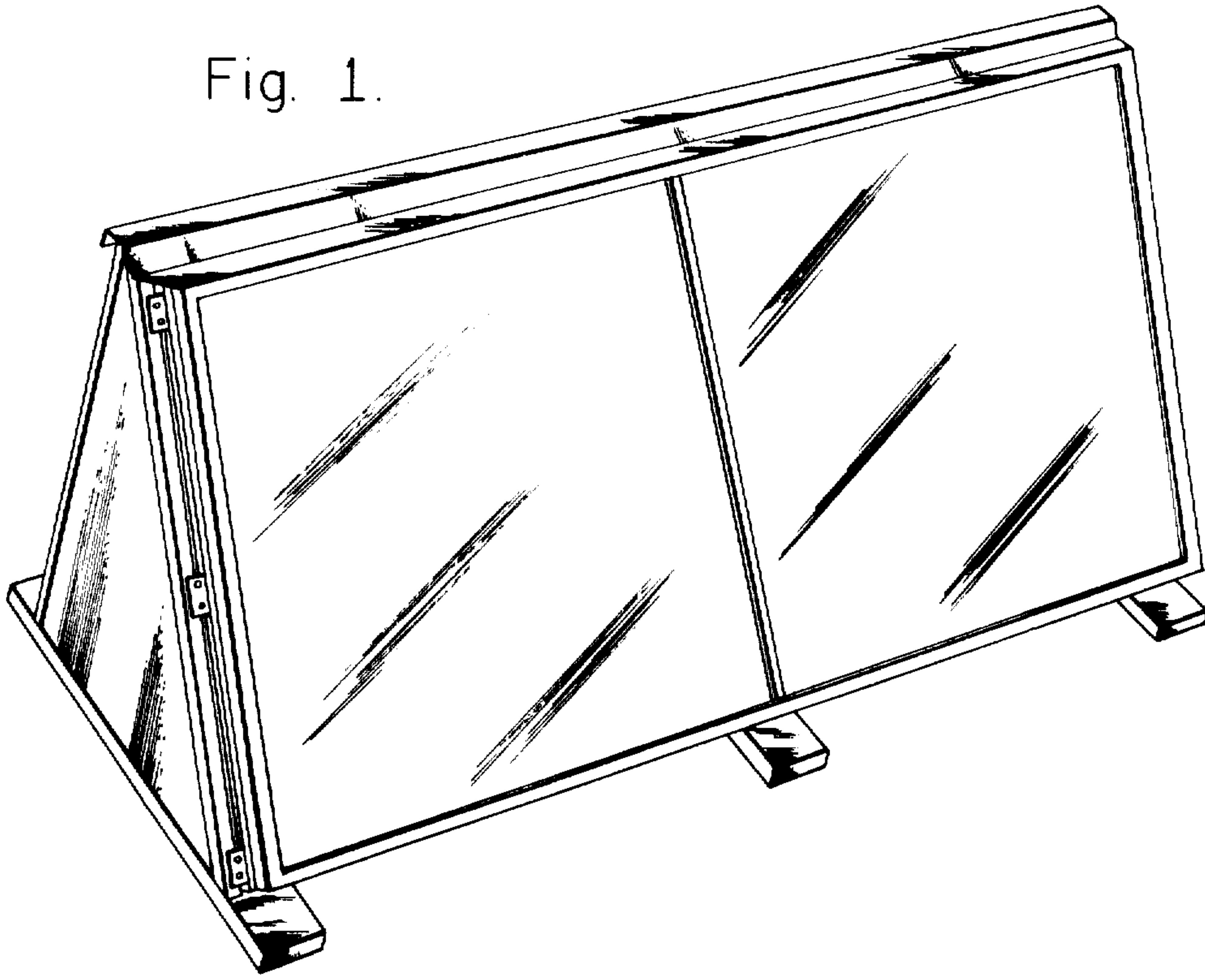


Fig. 2.

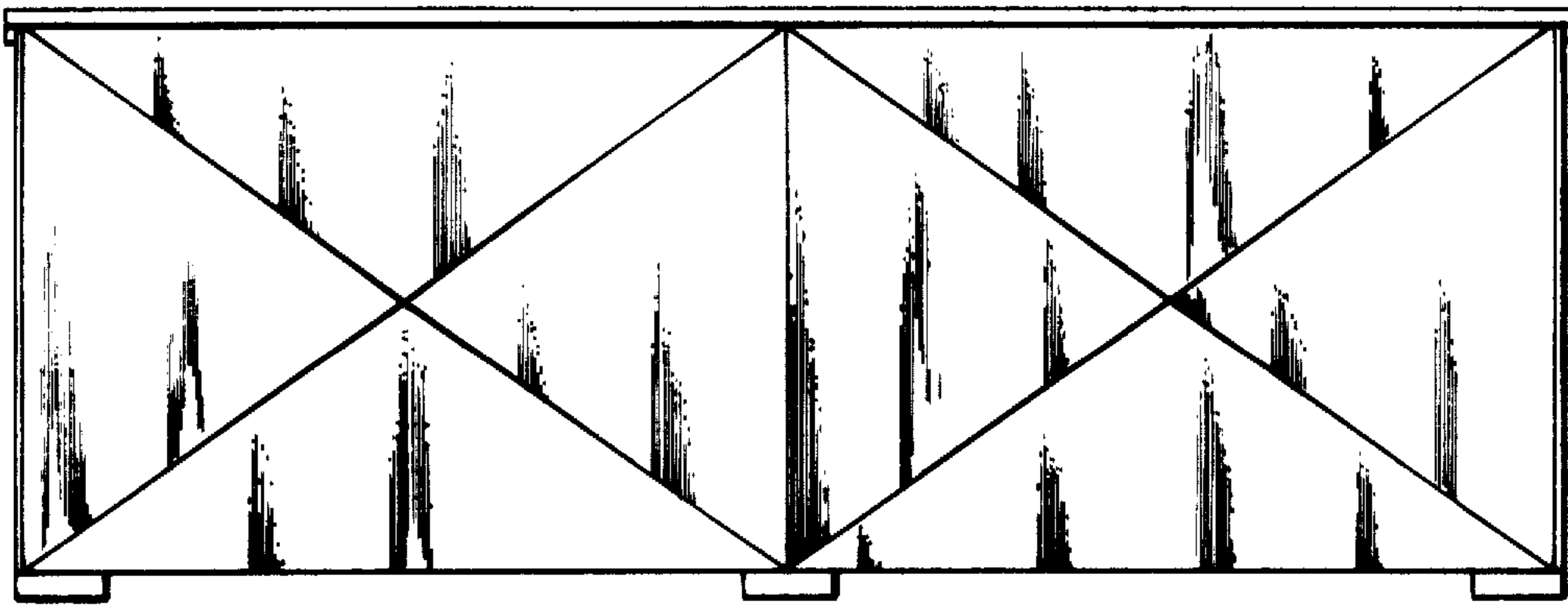


Fig. 3.

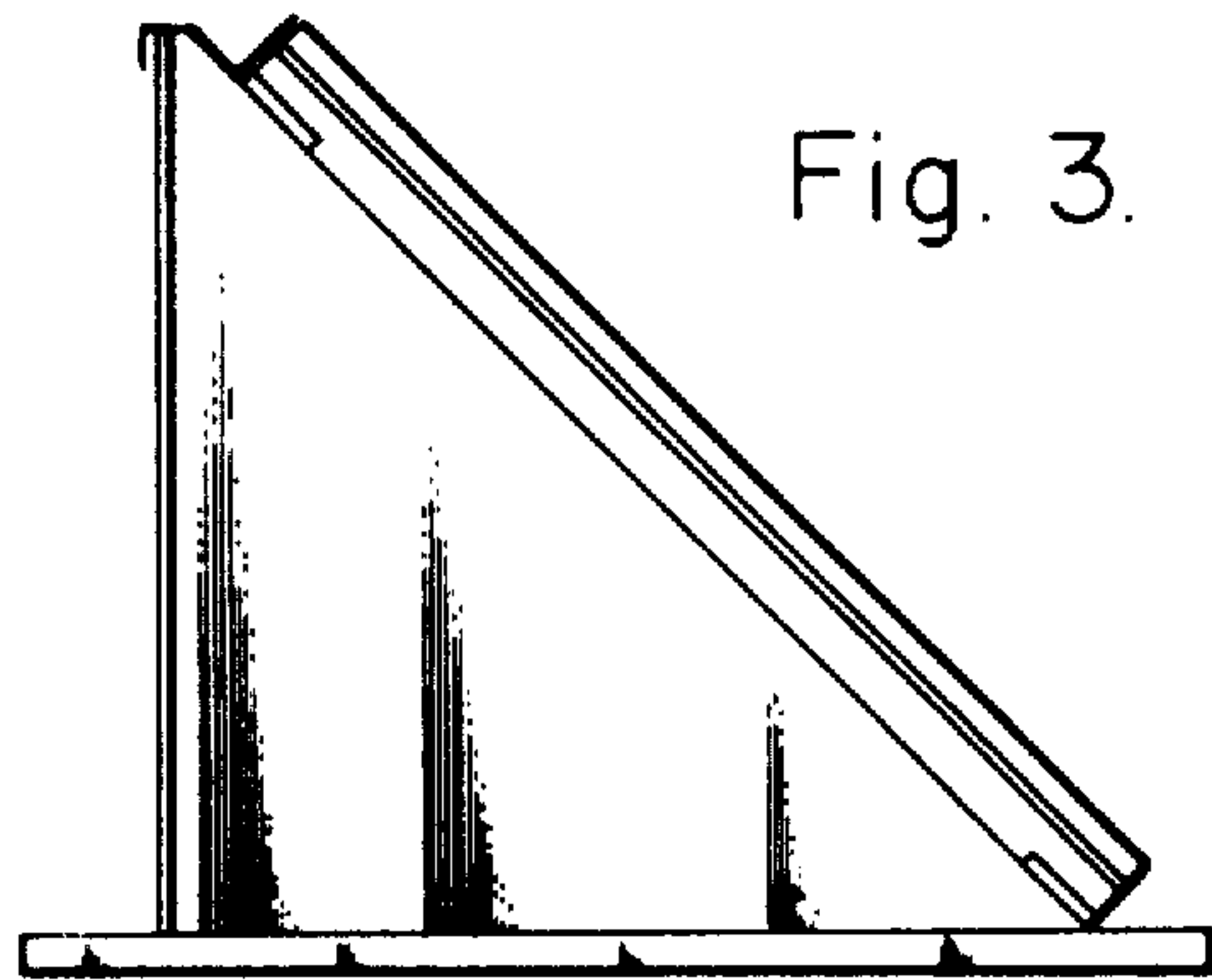


Fig. 4.

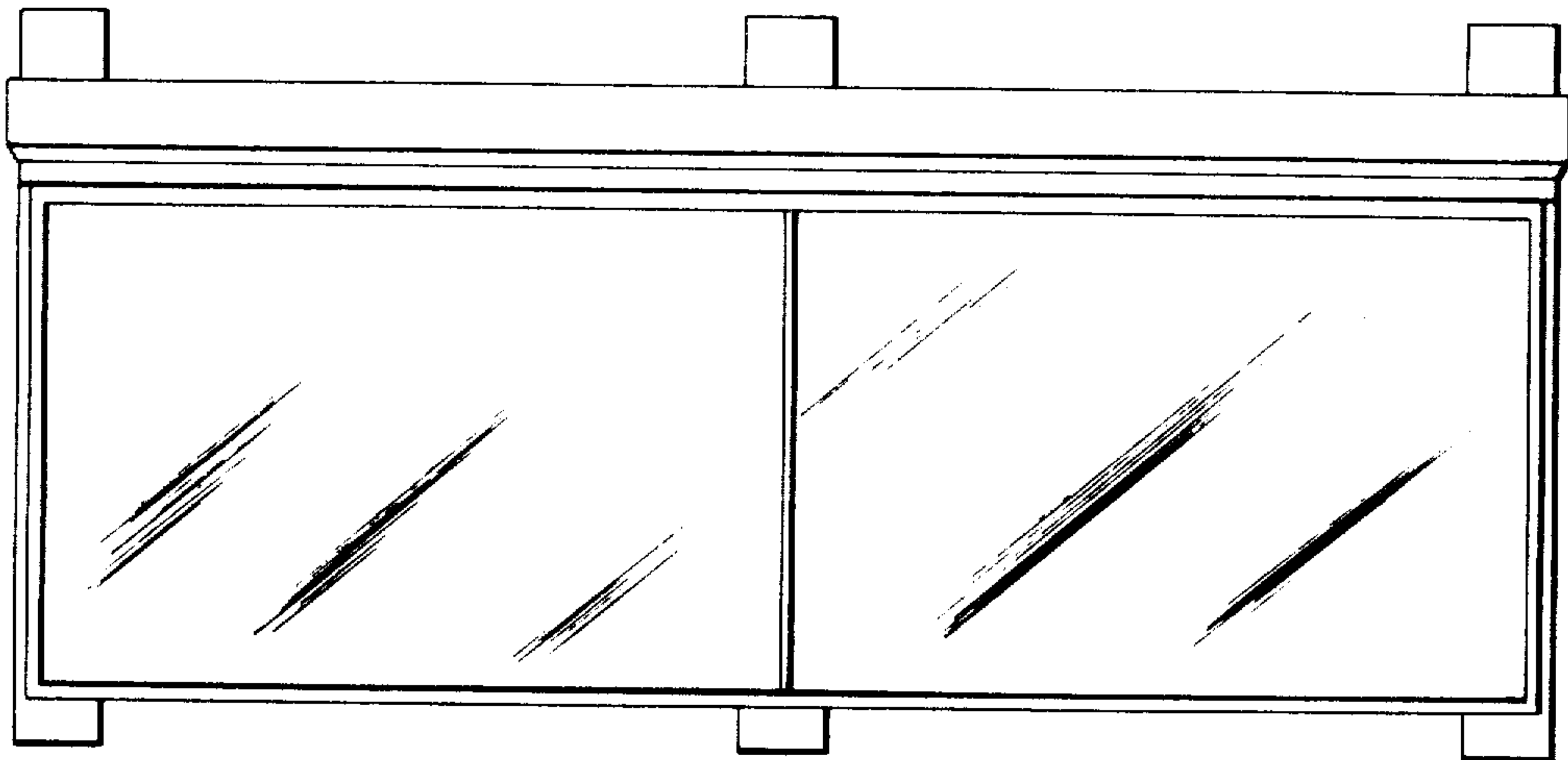


Fig. 5.

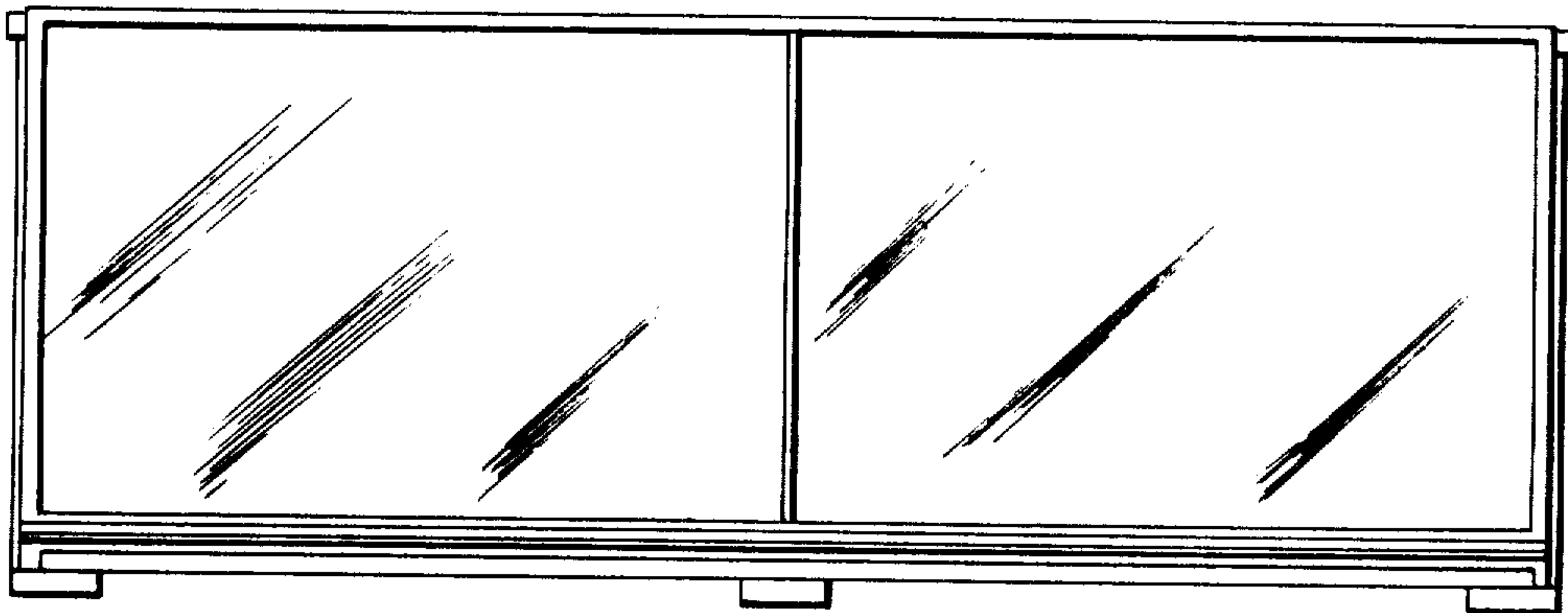


Fig. 6.

