

[54] **COMBINED FIREPLACE HEATER AND GRATE**

[76] Inventor: **Kenneth James Solinski**, 1900 32nd St., Bay City, Mich. 48706

[**] Term: **14 Years**

[21] Appl. No.: **564,764**

[22] Filed: **Apr. 3, 1975**

[51] Int. Cl. **D23-03; D7-08**

[52] U.S. Cl. **D23/94**

[58] Field of Search **D23/72, 73, 78, 77, D23/93, 94, 95, 105-108, 110, 11, 119-124, 130, 135, 127, 96, 97; D7/206, 207, 208, 211; 126/164, 165, 120, 121**

1,640,771 8/1927 Hannum 126/121
 3,901,212 8/1975 Stites 126/165
 D. 228,728 10/1973 Bergstrom D7/207

Primary Examiner—Wallace R. Burke
Assistant Examiner—B. J. Bullock
Attorney, Agent, or Firm—John F. Learman

[56] **References Cited**
 U.S. PATENT DOCUMENTS
 1,030,002 6/1912 Livingston 126/121

[57] **CLAIM**
 The ornamental design for a combined fireplace heater and grate, as shown.

DESCRIPTION
 FIG. 1 is a front elevation of a combined fireplace heater and grate illustrating the design;
 FIG. 2 is a rear elevation thereof;
 FIG. 3 is a side elevation view of one side thereof, the opposite side being the same; and
 FIG. 4 is a perspective view, on a reduced scale thereof.

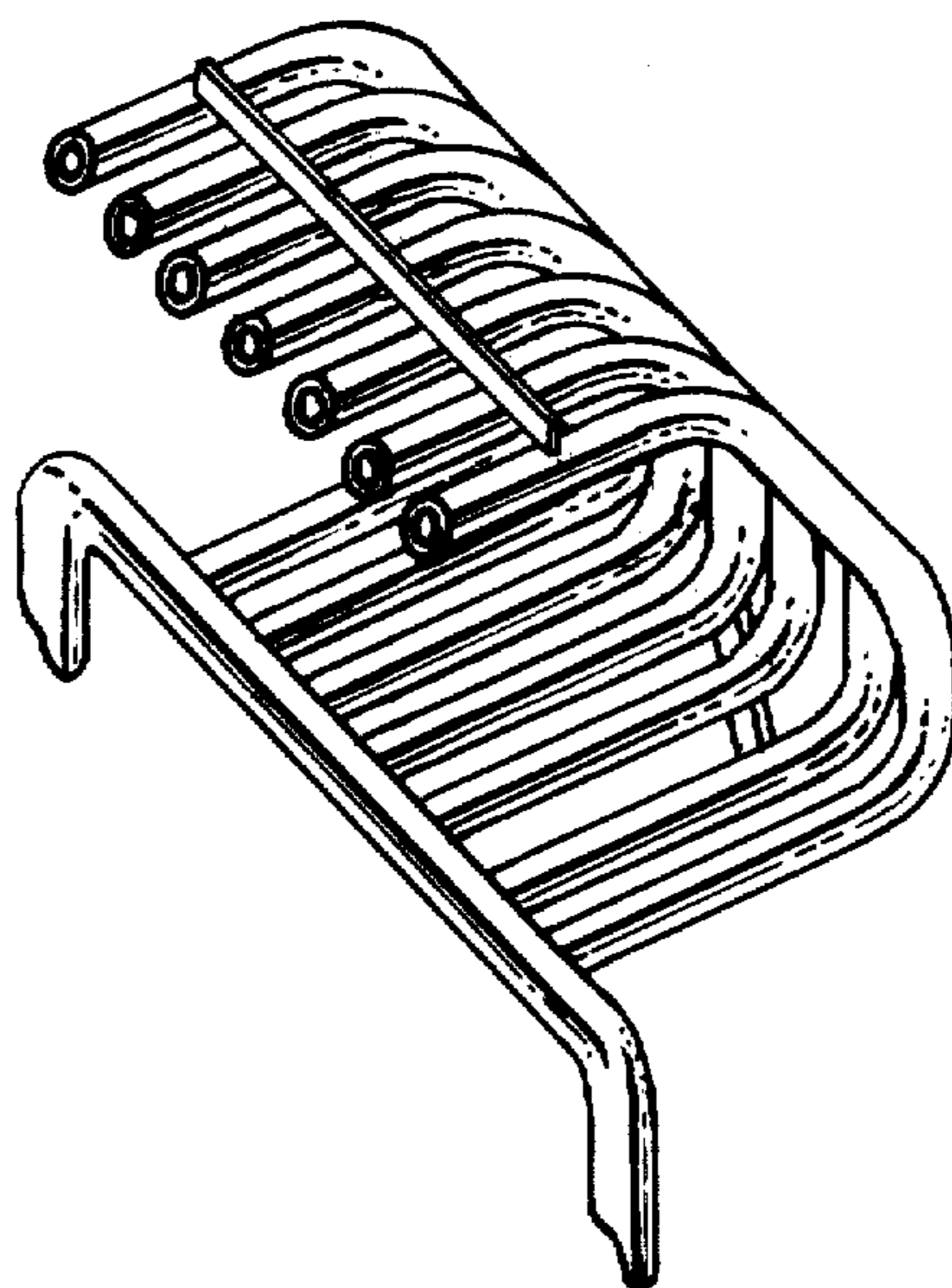


FIG.1

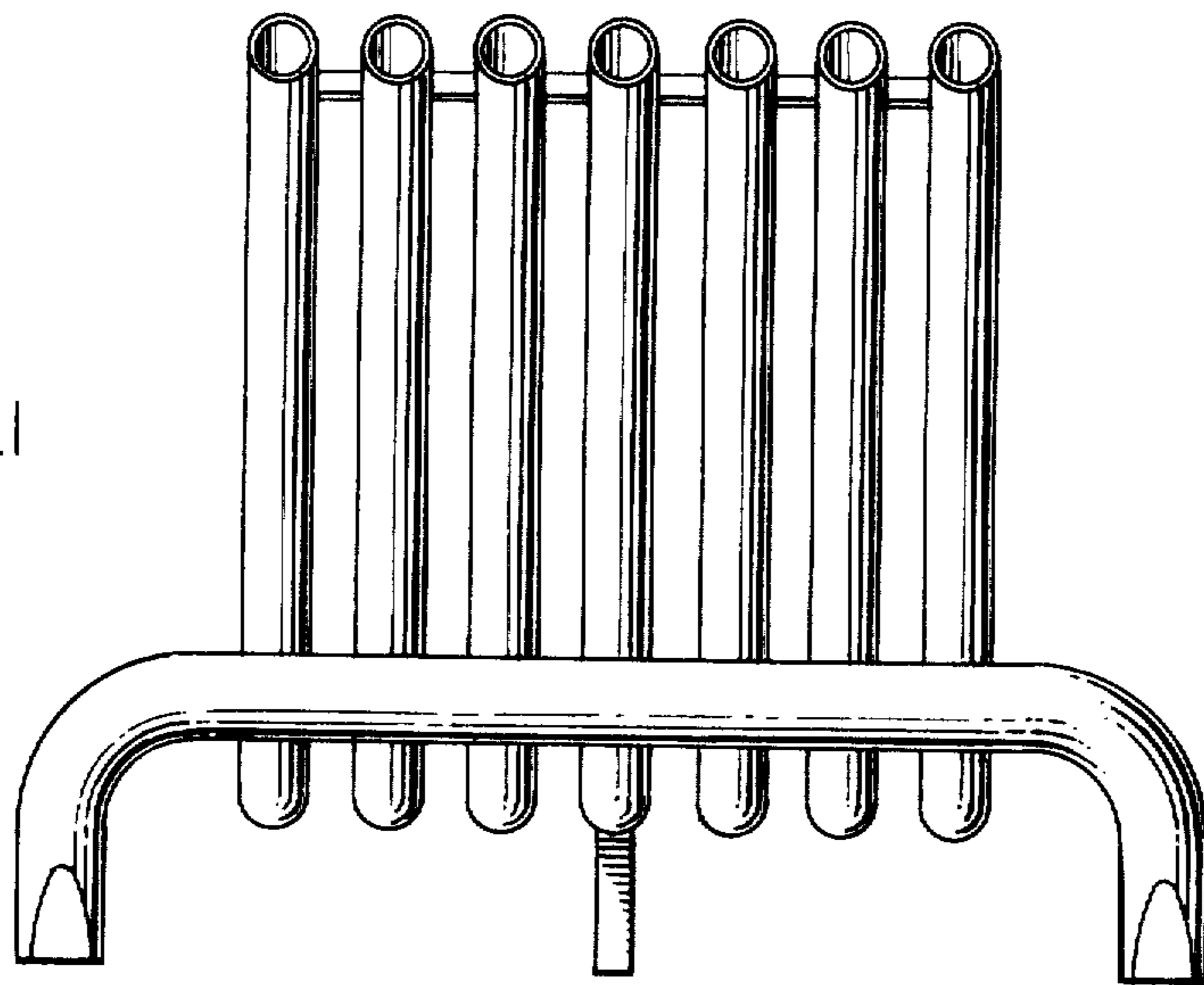


FIG.2

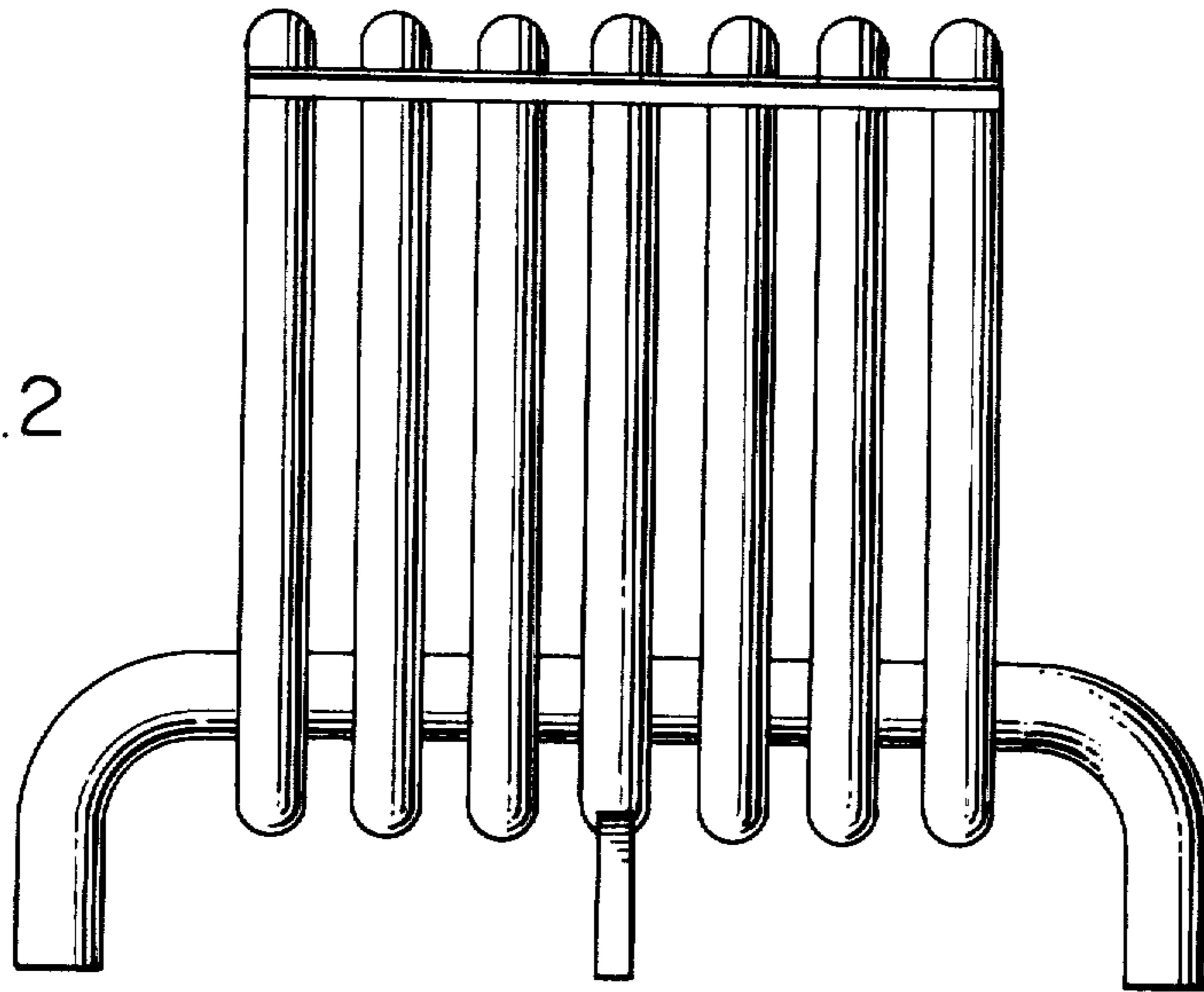


FIG.3

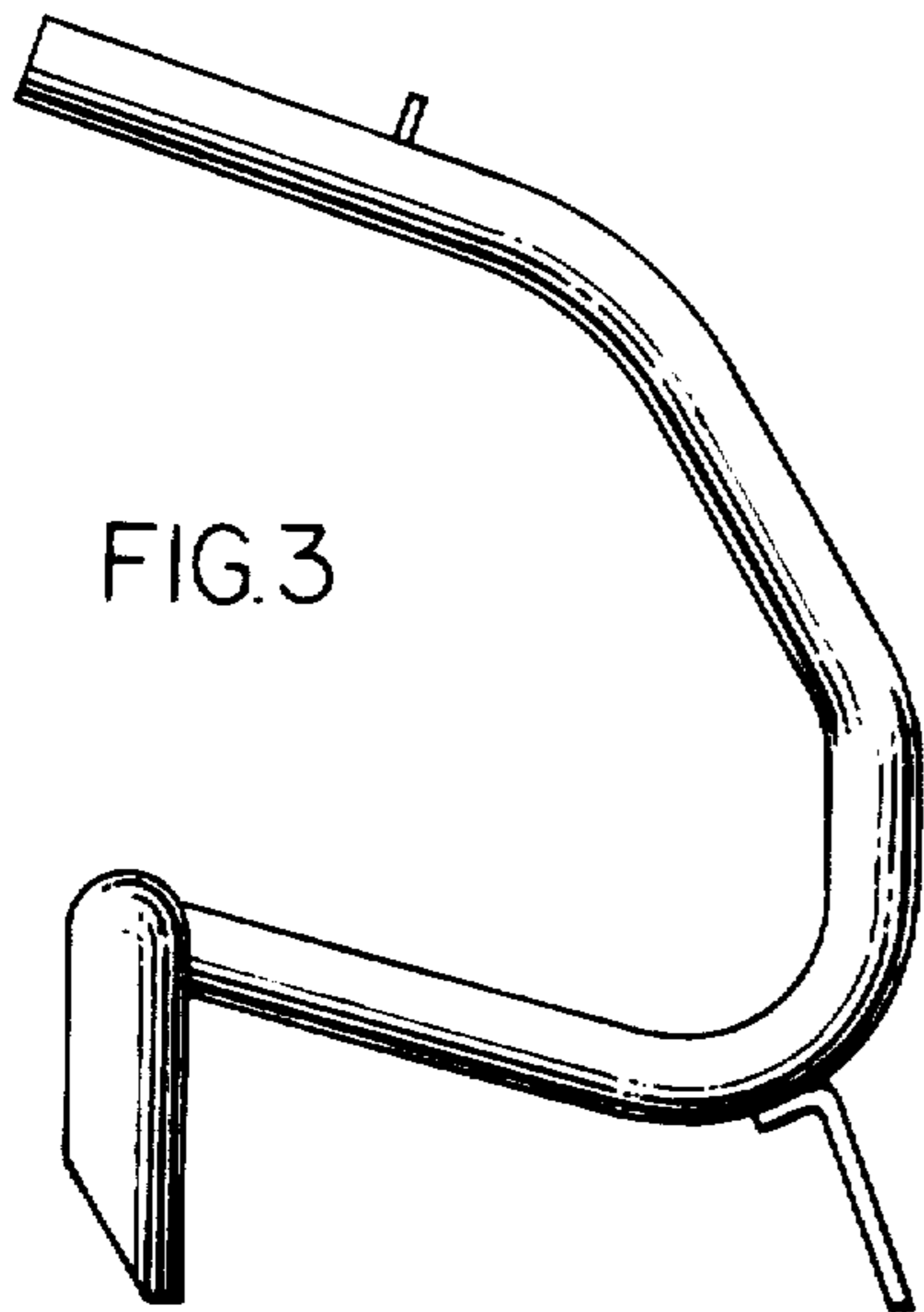


FIG.4

