

[54] HAND SPRAYER

[75] Inventors: Joseph Benedict Federico, North Palm Beach; Walter Herbert Wesner, Ft. Lauderdale; John Richard Cary, Miami Lakes, all of Fla.

[73] Assignee: The AFA Corporation, Miami Lakes, Fla.

[**] Term: 14 Years

[21] Appl. No.: 657,809

[22] Filed: Feb. 13, 1976

[51] Int. Cl. D23-01

[52] U.S. Cl. D23/17

[58] Field of Search D23/17, 18, 34-39; 239/332, 333, 526

[56] References Cited

U.S. PATENT DOCUMENTS

3,061,202 10/1962 Tyler 239/333

3,685,739 8/1972 Vanier 239/333
D. 199,098 9/1964 Tyler D23/17
D. 228,657 10/1973 Anderson D23/17

Primary Examiner—James R. Lergen
Attorney, Agent, or Firm—Stanley A. Marcus

[57] CLAIM

The ornamental design for a hand sprayer, as shown and described.

DESCRIPTION

FIG. 1 is a left side elevational view of a sprayer showing our new design, the right side being a mirror image of the left side as shown.

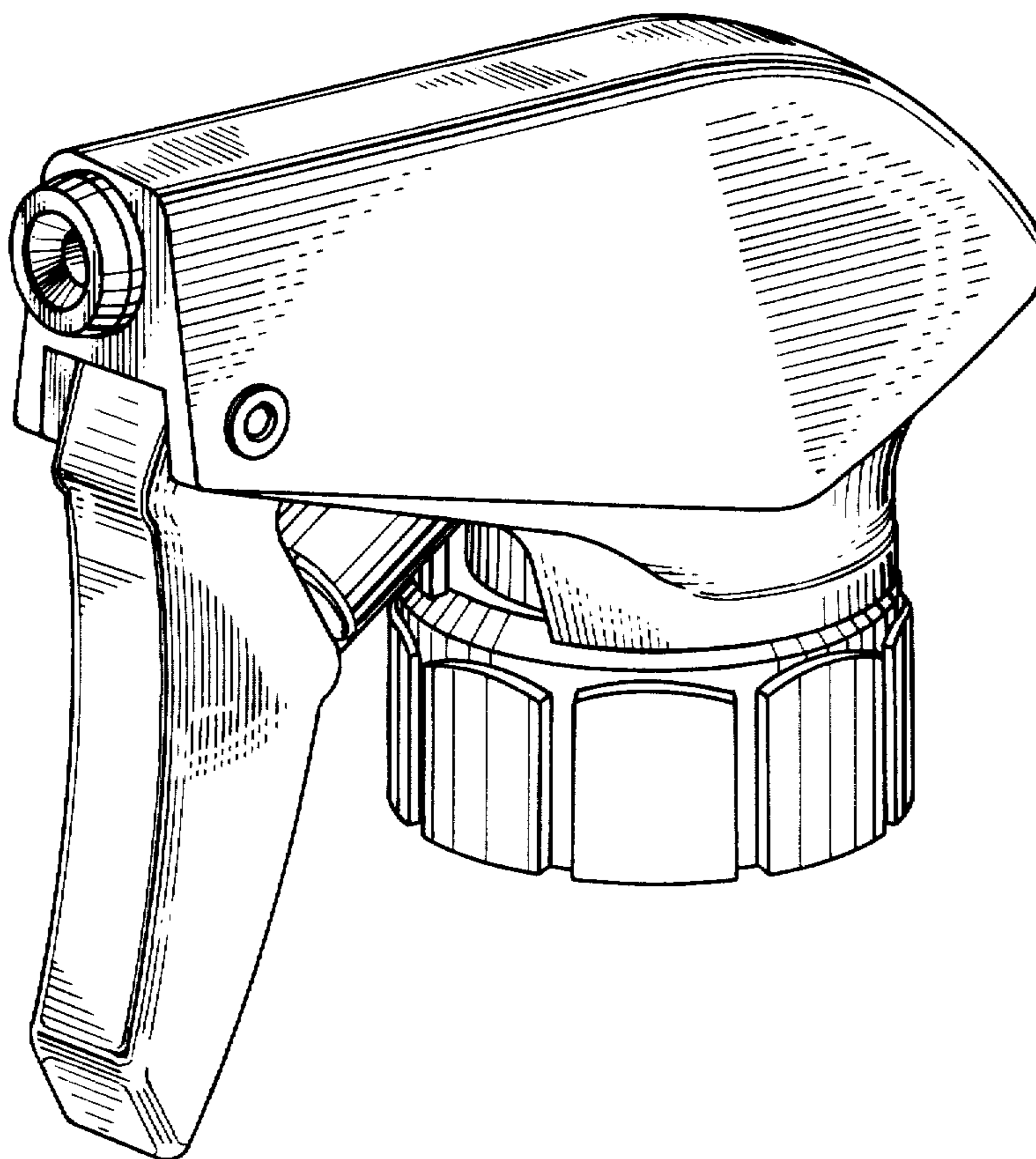
FIG. 2 is a front elevational view thereof;

FIG. 3 is a rear elevational view thereof;

FIG. 4 is a top plan view thereof;

FIG. 5 is a bottom plan view thereof; and

FIG. 6 is a perspective view thereof.



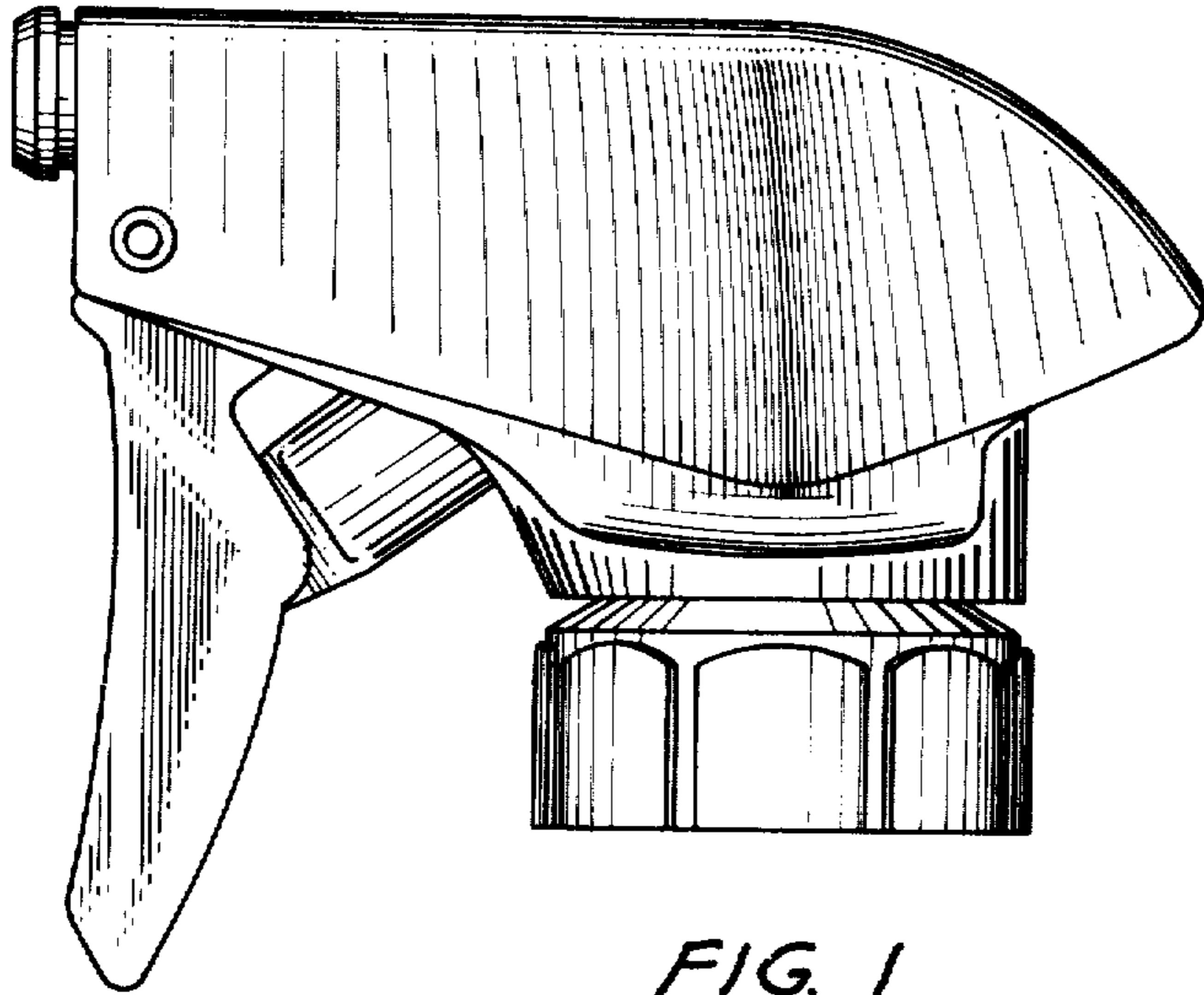


FIG. 1

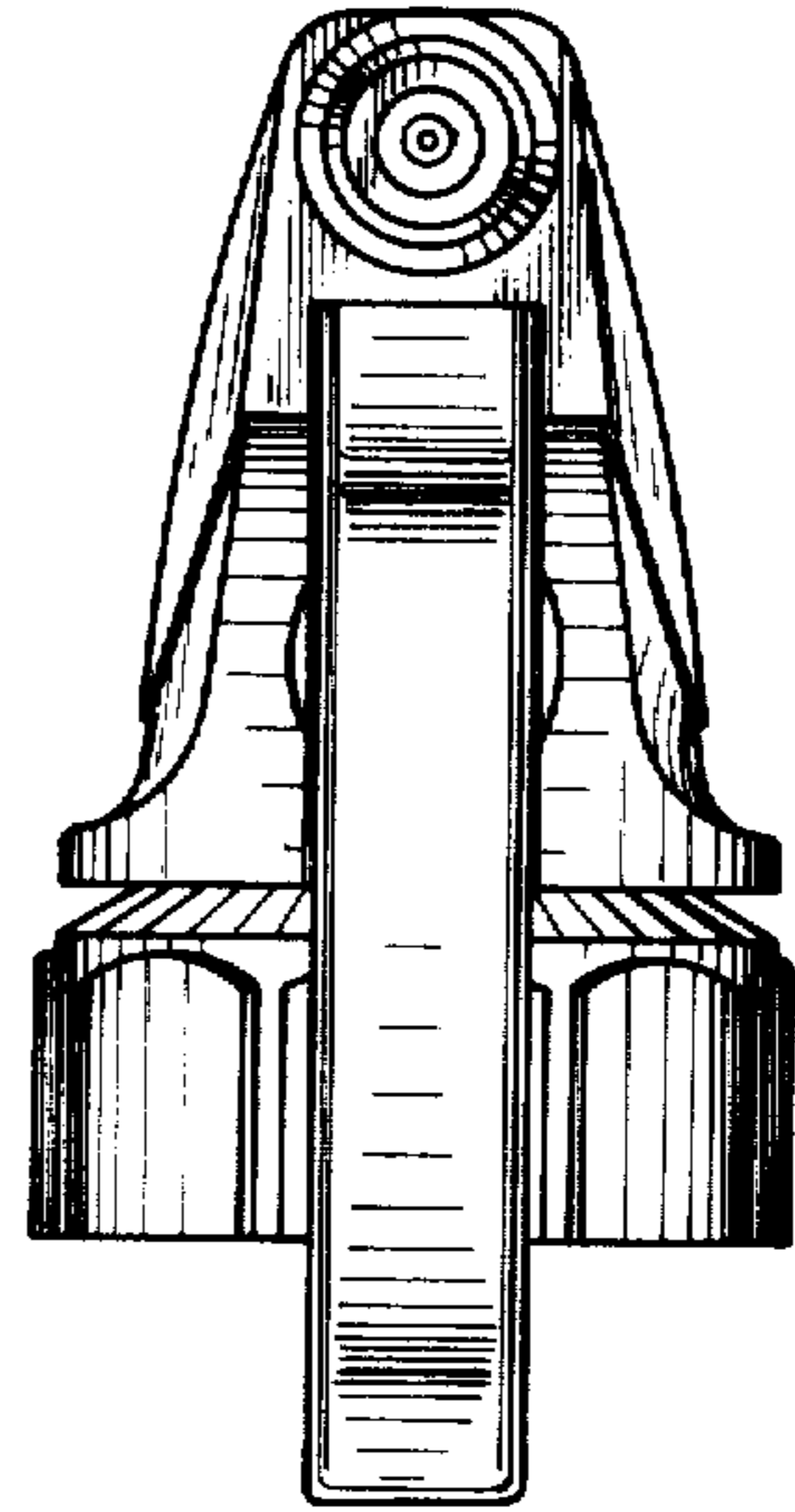


FIG. 2

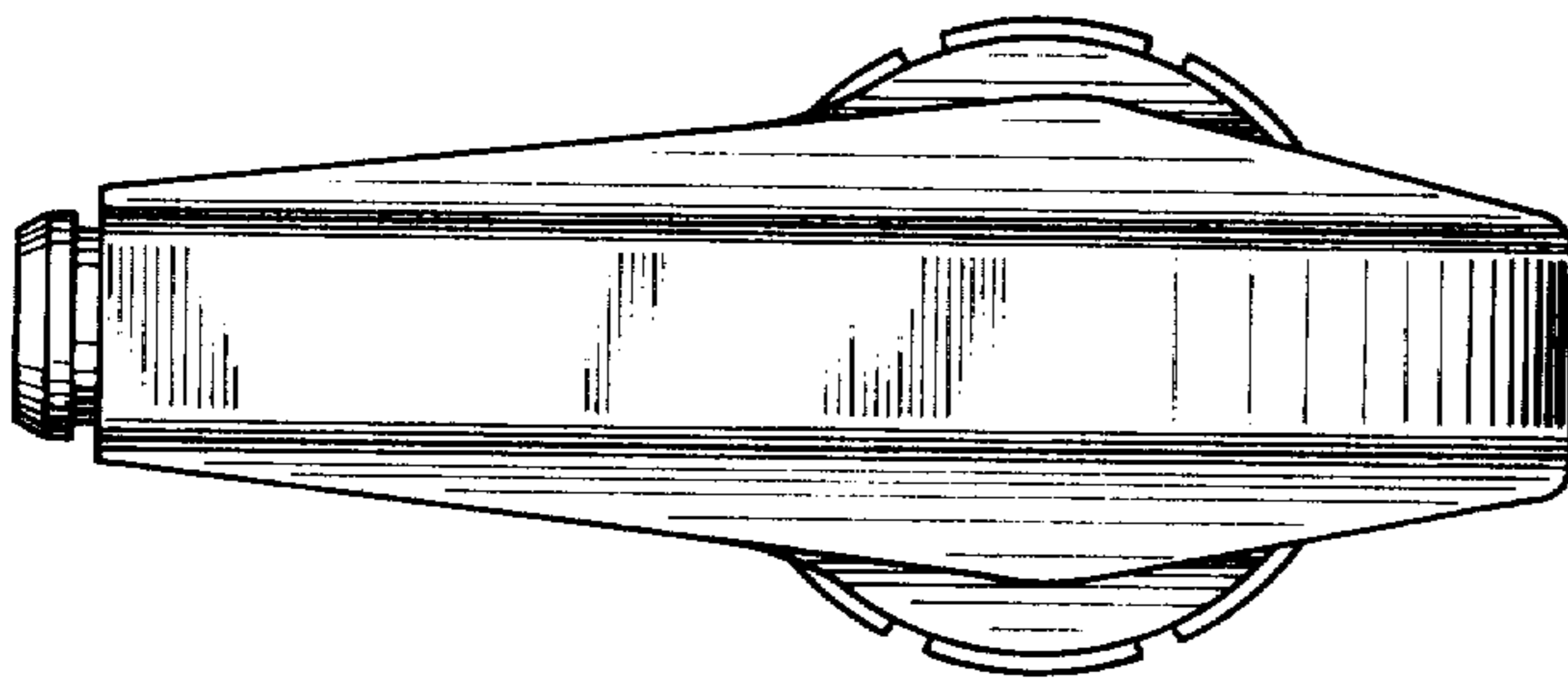


FIG. 4

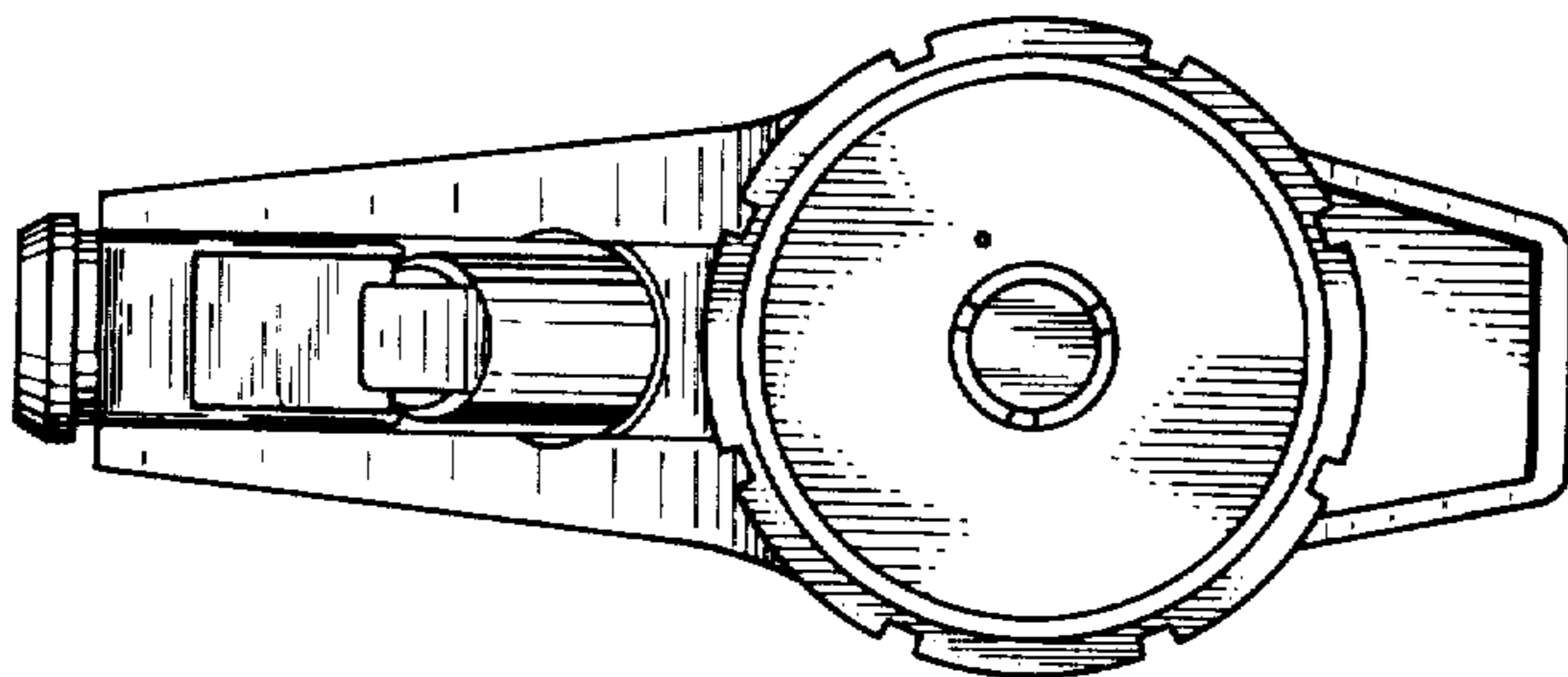


FIG. 5

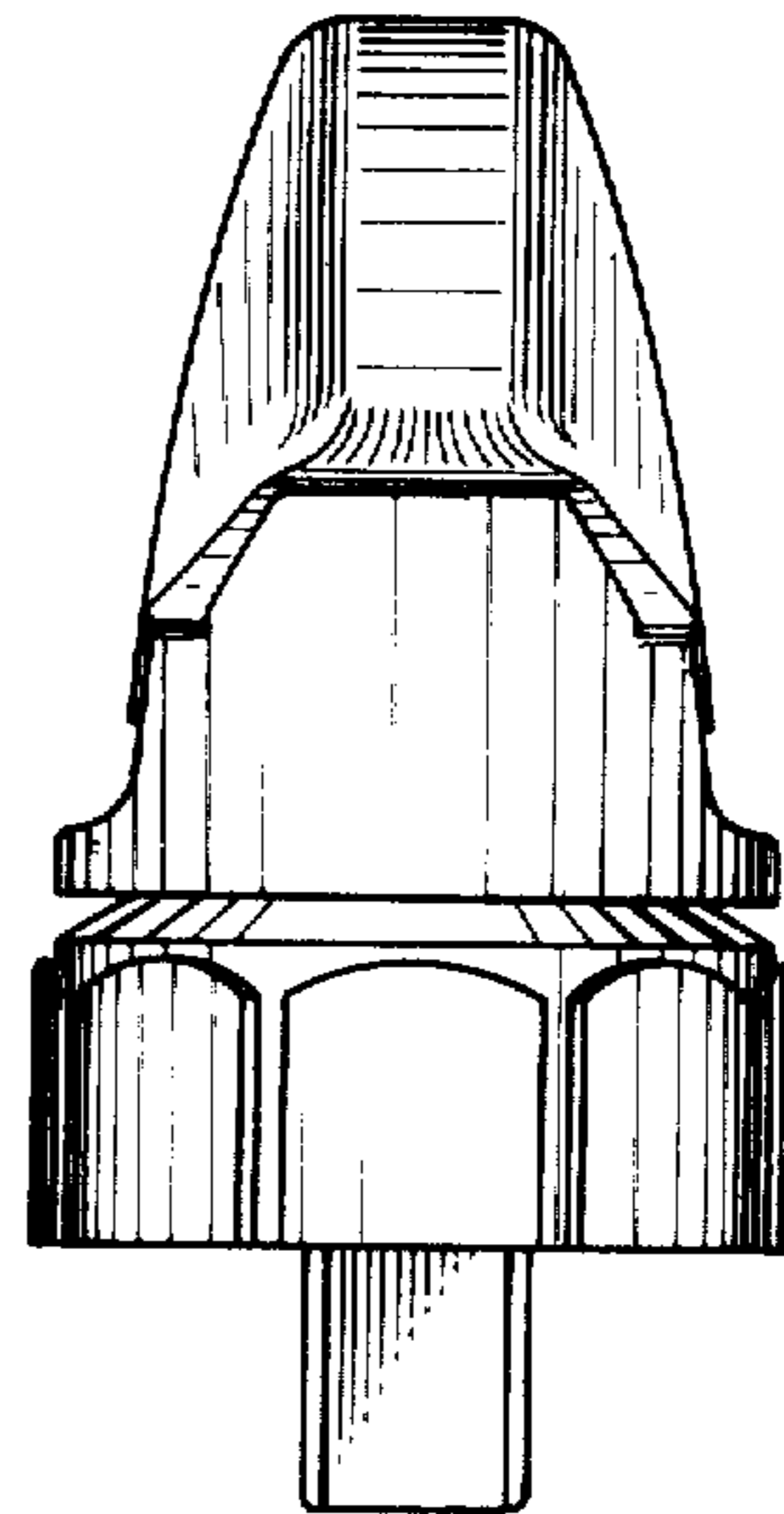


FIG. 3

