

[54] **HOLDER FOR FISHING LURE AND LEADER**

[76] Inventor: **Henry P. Sahly**, 11825 18th Ave. N.,  
Plymouth, Minn. 55427

[\*\*] Term: **14 Years**

[21] Appl. No.: **466,266**

[22] Filed: **May 2, 1974**

[51] Int. Cl. .... **D22-05**

[52] U.S. Cl. .... **D22/99**

[58] Field of Search ..... **D6/85, 114; D3/19 D,  
D3/19 A; D22**

[56] **References Cited**

**U.S. PATENT DOCUMENTS**

D. 70,890	8/1926	Olson	.....	D3/19 D
D. 217,321	4/1970	Willner	.....	D3/19 D

*Primary Examiner*—William N. Wertman  
*Attorney, Agent, or Firm*—Everett J. Schroeder

[57] **CLAIM**

The ornamental design for a holder for fishing lure and leader, as shown and deccribed.

**DESCRIPTION**

FIG. 1 is a perspective view of a holder for fishing lure and leader embodying my new design; the broken lines illustrating use of the invention with a hook, lure and leader thereon are for illustrative purposes only; FIG. 2 is a top plan view of the article in FIG. 1. FIG. 3 is a side elevational view of the invention with a cover member in place and partially cut away. FIG. 4 is a bottom plan view of the device for the invention. FIG. 5 is a top plan view of the device for the invention.

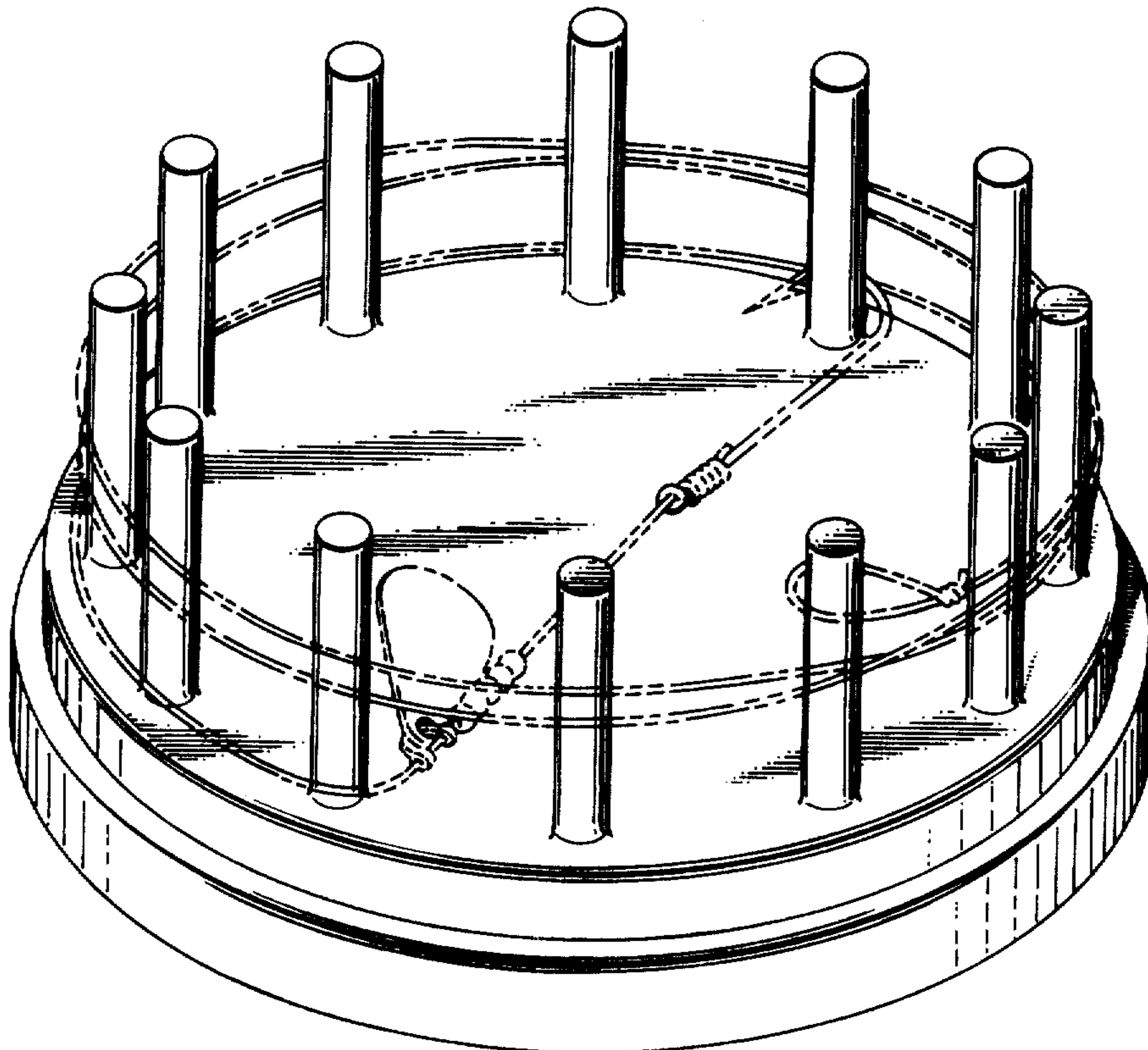


Fig. 1

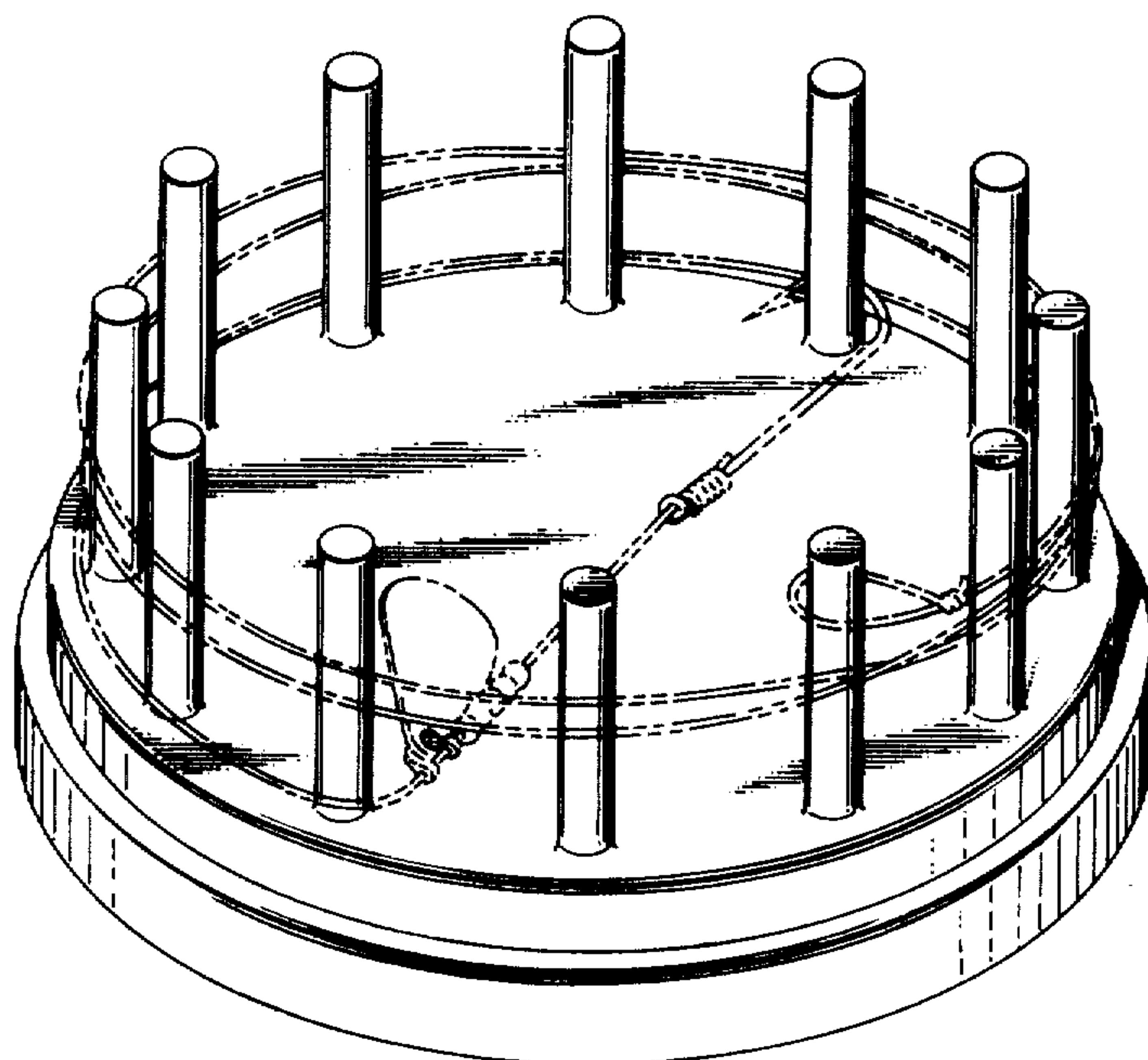


Fig. 2

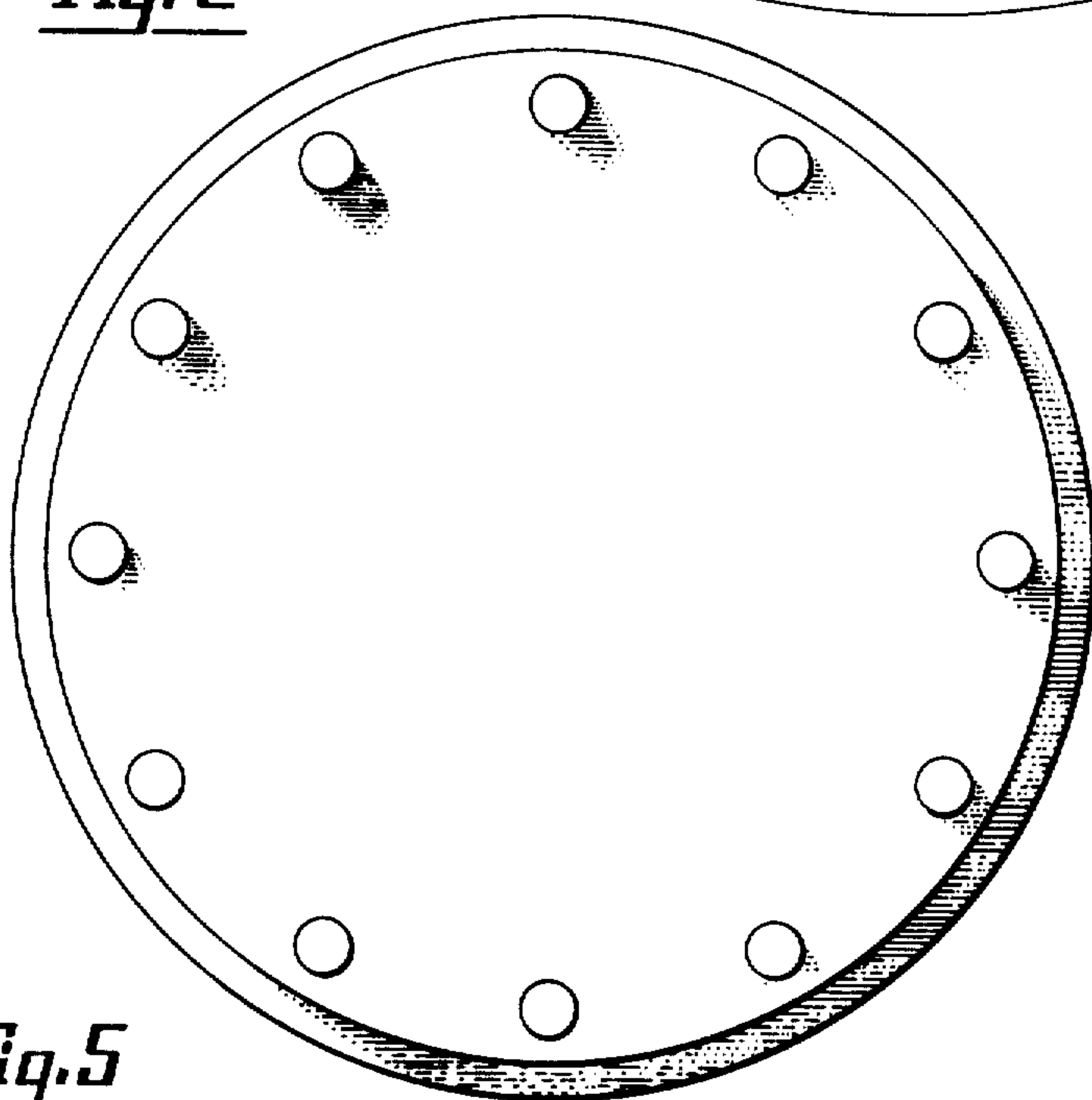


Fig. 4

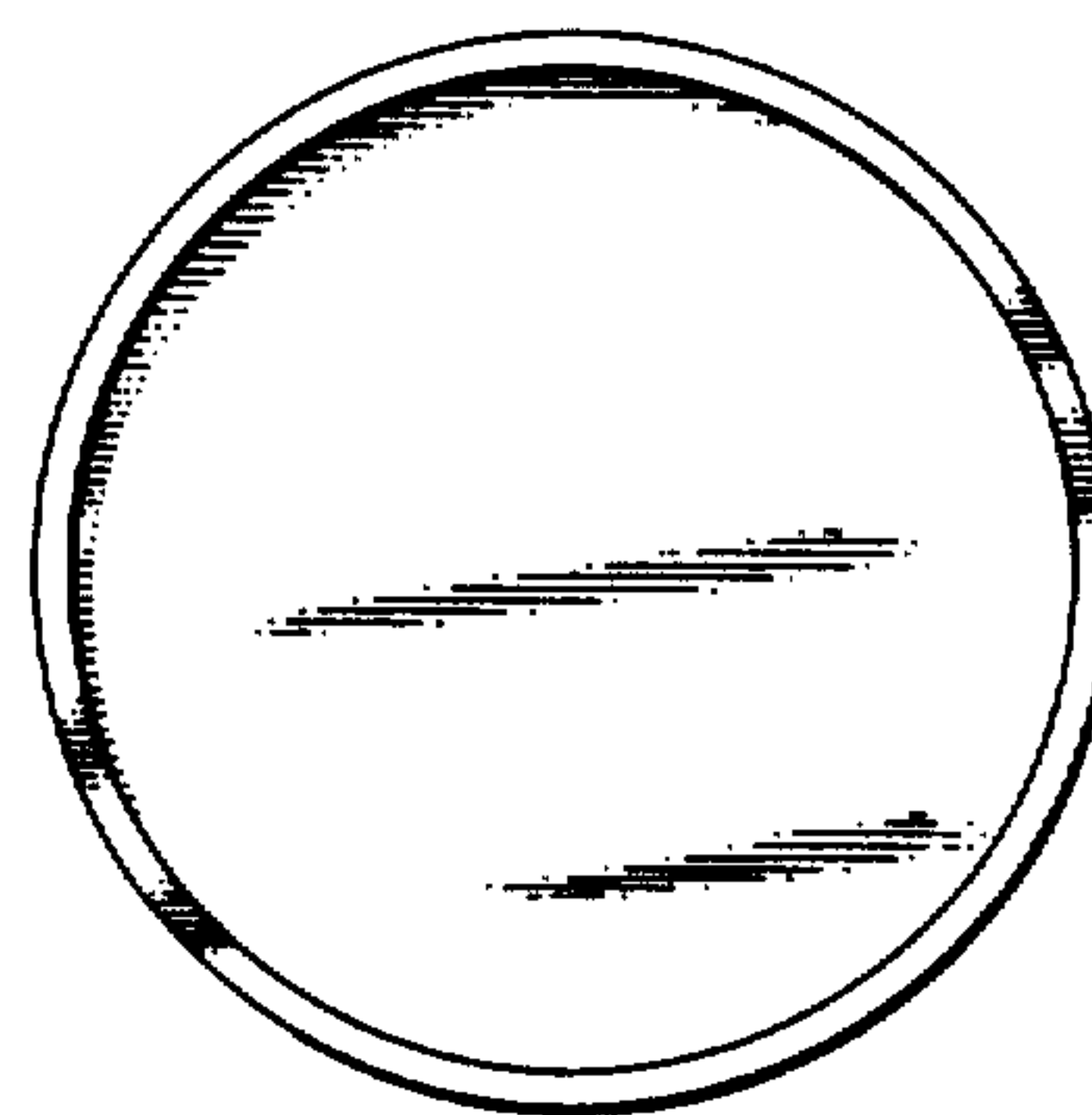


Fig. 5

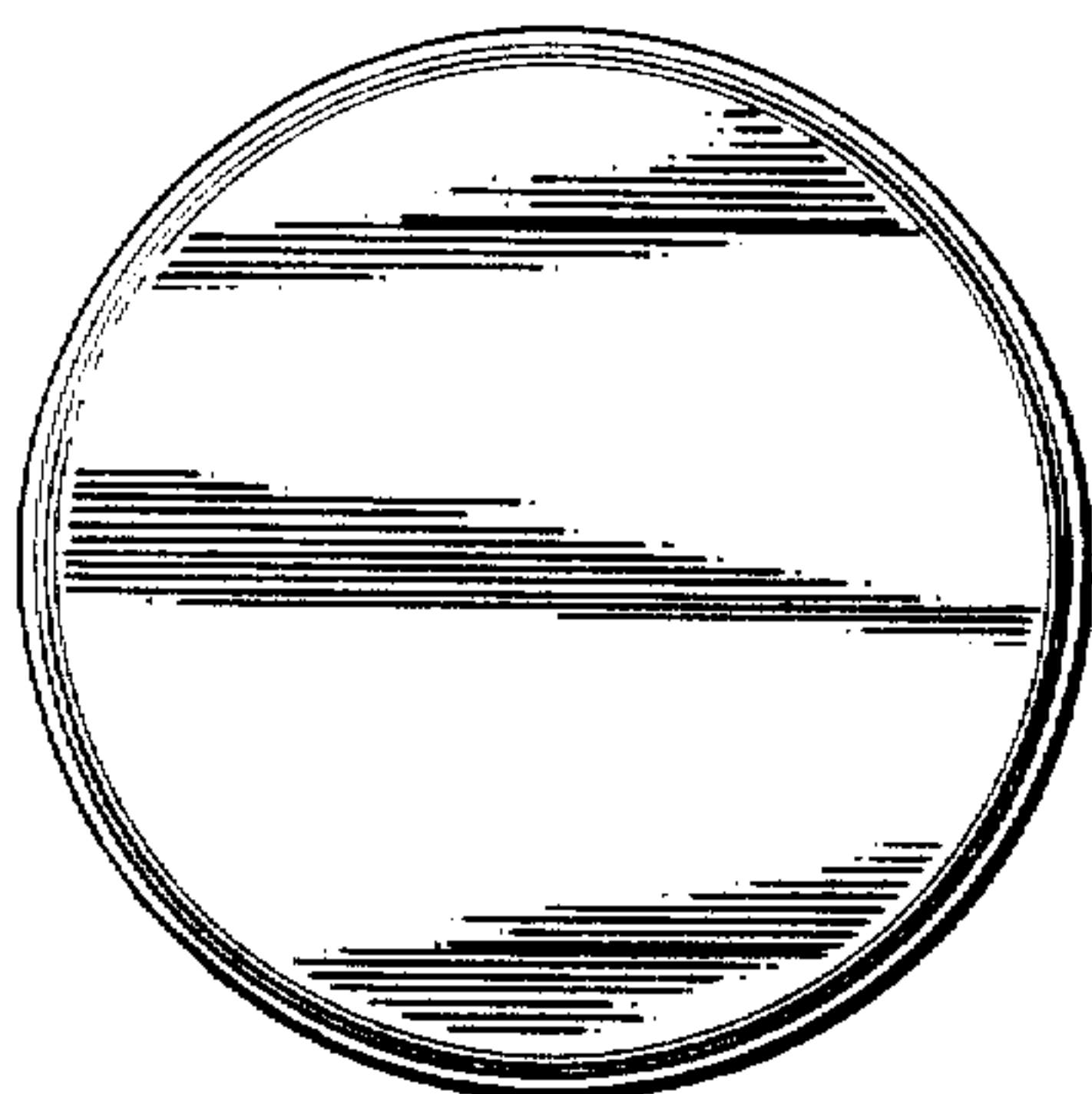


Fig. 3

