

[54] CARTRIDGE MAGAZINE COVER
 [75] Inventor: Jacob Sofinowski, III, Baldwin, Md.
 [73] Assignee: AAI Corporation, Cockeysville, Md.
 [**] Term: 14 Years
 [21] Appl. No.: 637,907
 [22] Filed: Dec. 5, 1975
 [51] Int. Cl. D22-99
 [52] U.S. Cl. D22/7
 [58] Field of Search 42/50; D22/7

[56] **References Cited**
 U.S. PATENT DOCUMENTS
 2,715,290 8/1955 Harvey 42/50
 3,676,946 7/1972 Sibilina 42/50

Primary Examiner—William N. Wertman
 Attorney, Agent, or Firm—Reginald F. Pippin, Jr.

[57] **CLAIM**
 The ornamental design for a cartridge magazine cover, substantially as shown and described.

DESCRIPTION
 FIG. 1 is a perspective view of a cartridge magazine cover according to the invention.
 FIG. 2 is a reversed perspective view of the cartridge magazine cover of FIG. 1.
 FIG. 3 is an inverted perspective view of the cartridge magazine cover of FIG. 1, showing the reverse face design.
 FIG. 4 is a one end elevational view.
 FIG. 5 is a plan view showing the reverse face design of the cartridge magazine of FIG. 1.
 FIG. 6 is an opposite end elevation as viewed at the left end of the cover as shown in FIG. 5.

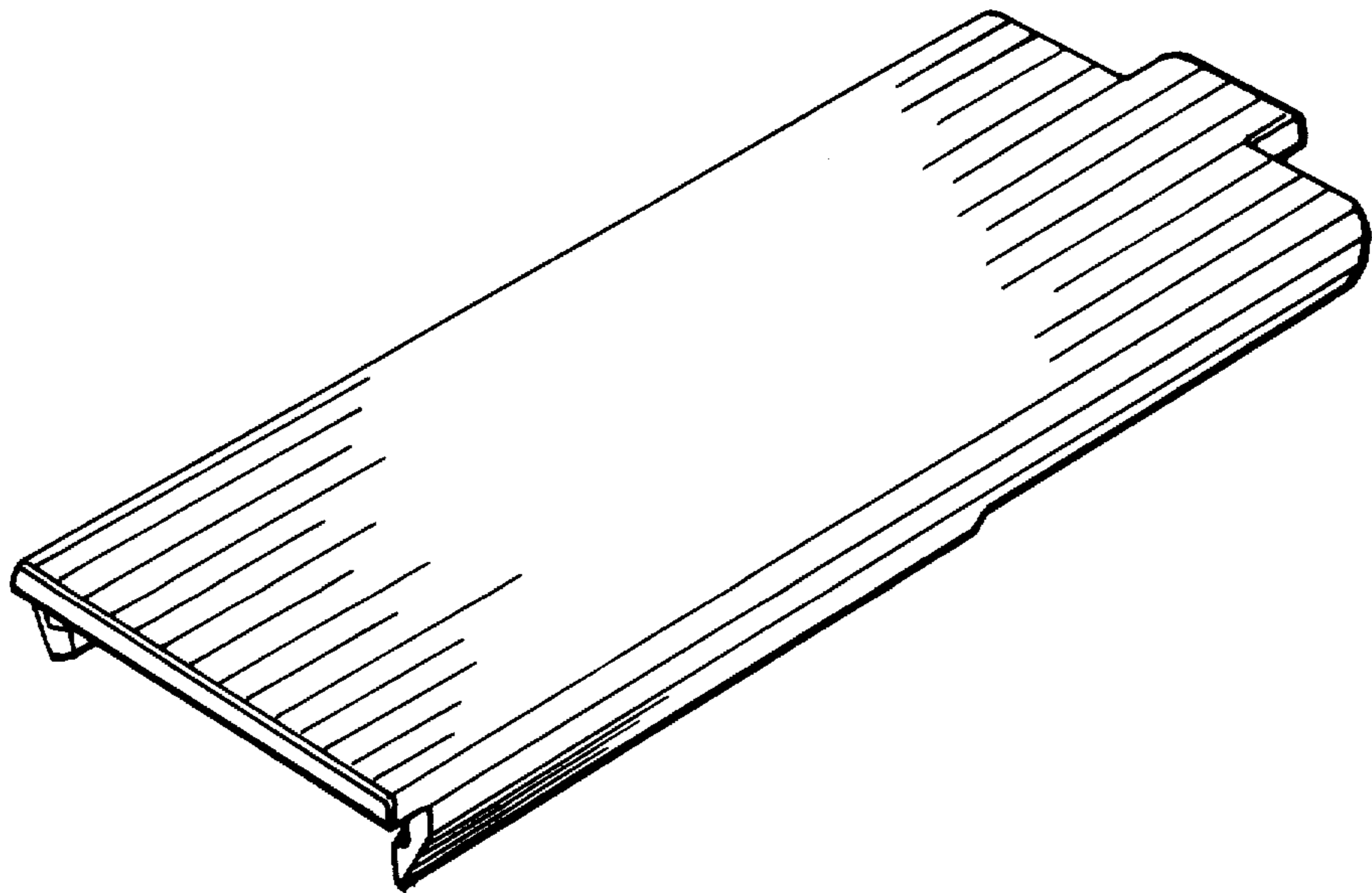


FIG. 1

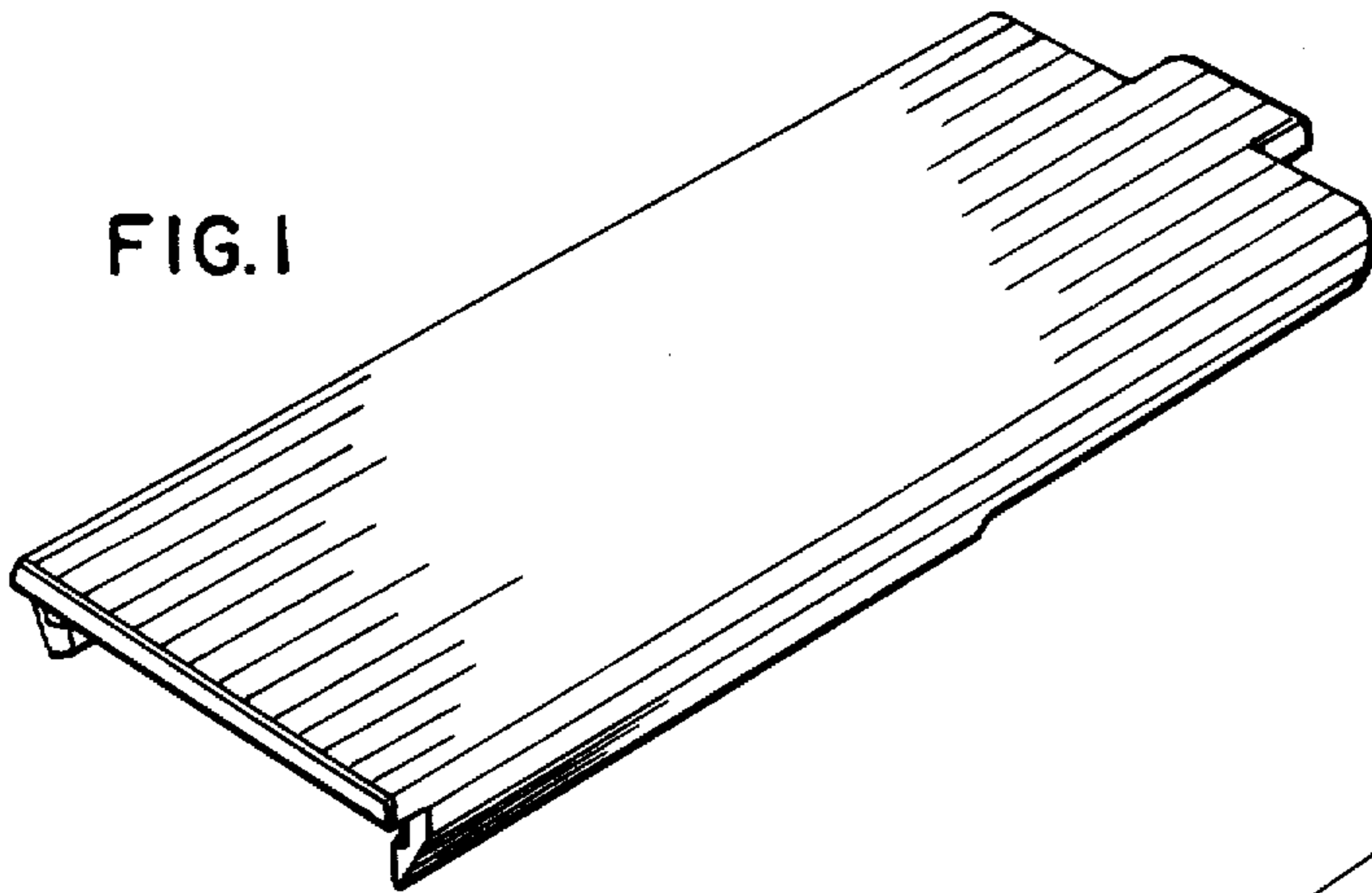


FIG. 2

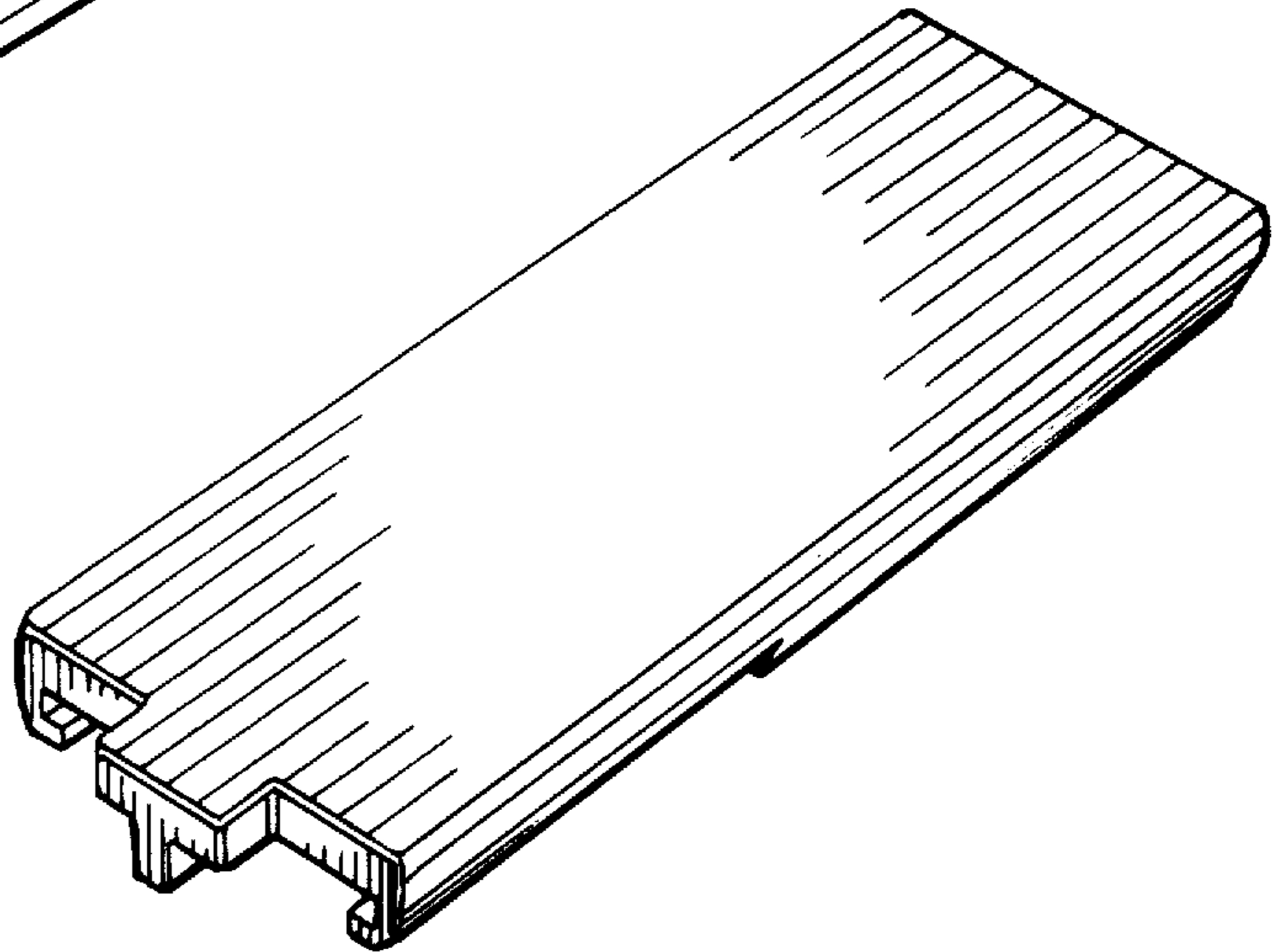


FIG. 3

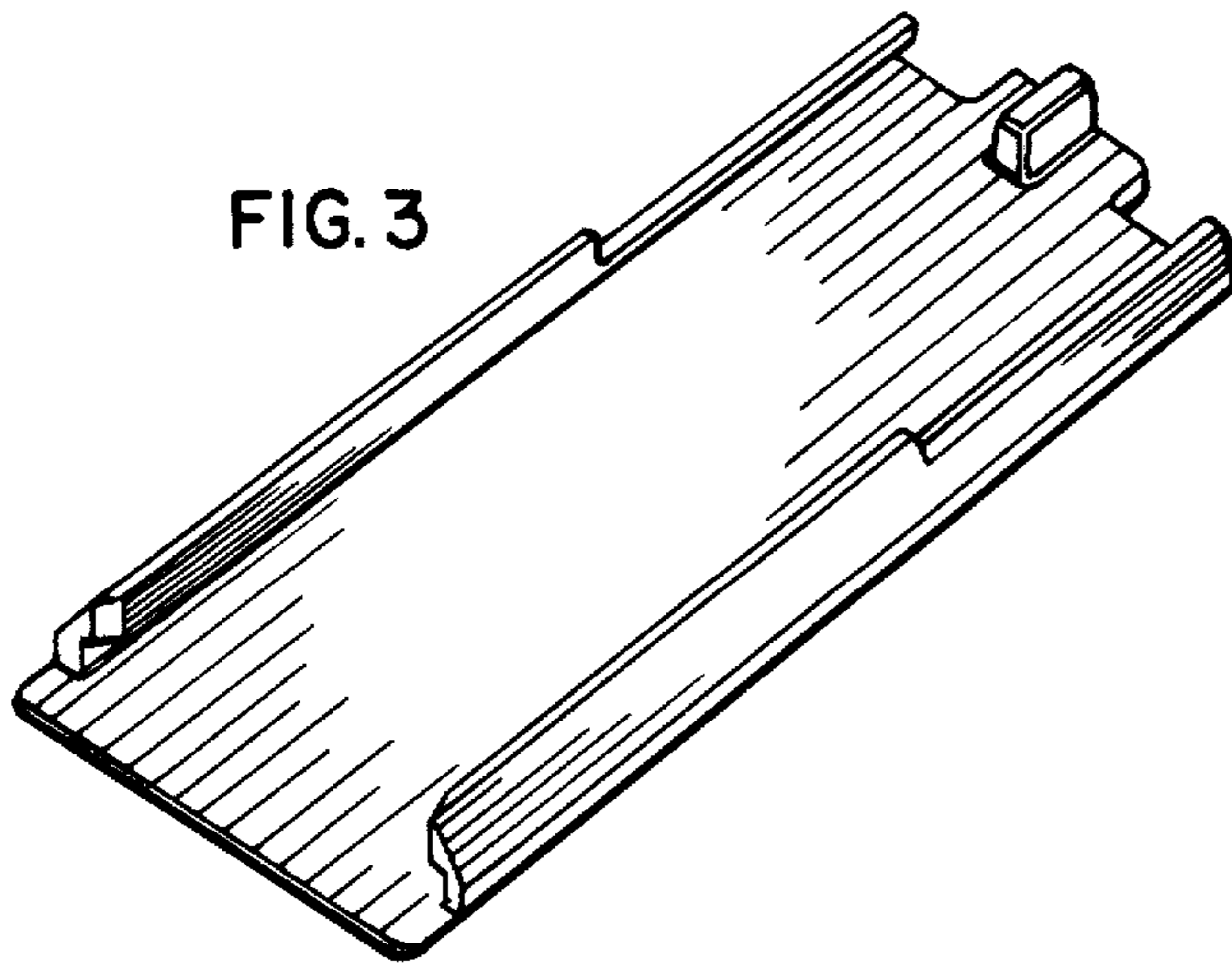


FIG. 4



FIG. 5

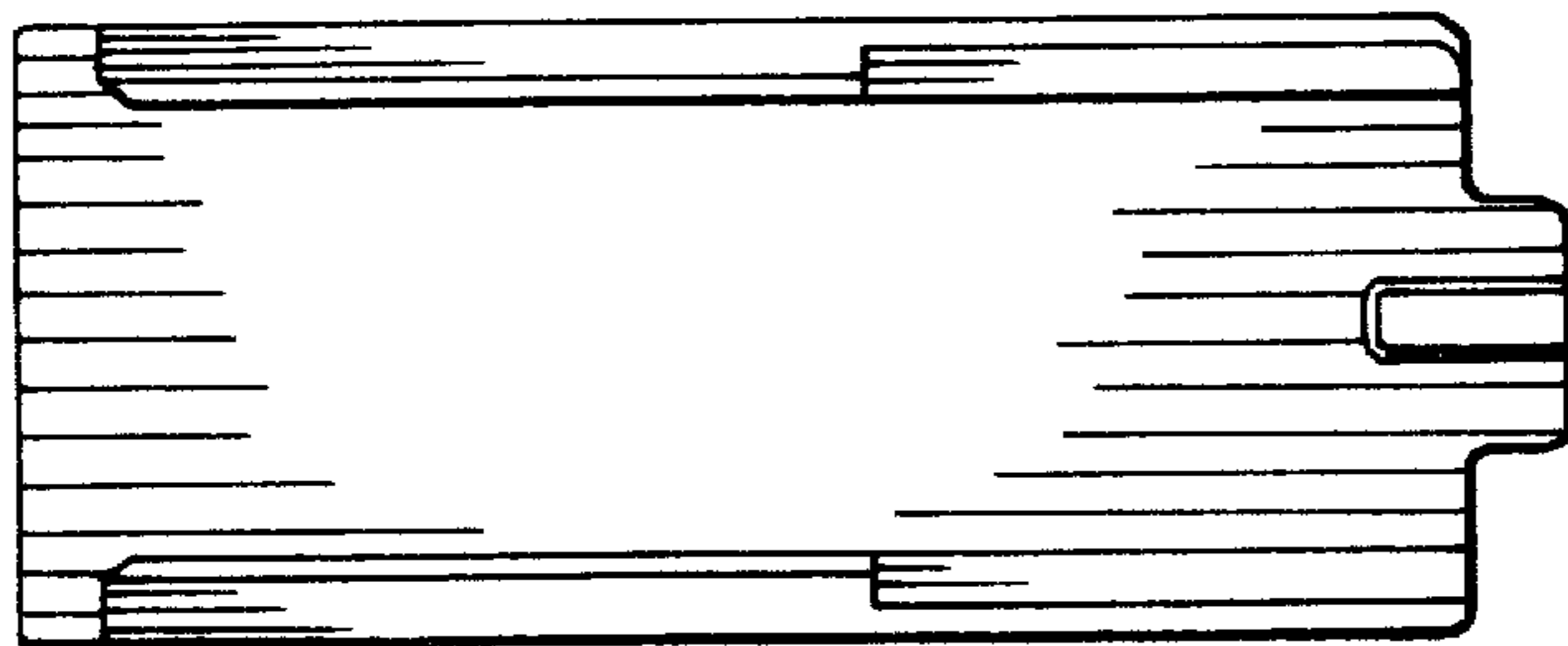


FIG. 6

