

[54] TELEVISION CAMERA

[75] Inventor: Kiyoshi Sakashita, Osaka, Japan

[73] Assignee: Sharp Corporation

[**] Term: 14 Years

[21] Appl. No.: 581,629

[22] Filed: May 28, 1975

[30] Foreign Application Priority Data

Nov. 29, 1974 Japan 49-42790

[51] Int. Cl. D16-01

[52] U.S. Cl. D16/1

[58] Field of Search D16/1-10,
D16/27-32; D26/5.0; 355/131, 128, 3 R, 8,
78, 97, 82, 75-77

[56] References Cited

U.S. PATENT DOCUMENTS

D. 151,749	11/1948	Fairbank	D16/1
D. 217,742	6/1970	Masuyama	D16/2
D. 223,549	5/1972	Vinson	D16/2

OTHER PUBLICATIONS

Popular Photography, 11-1963, Insert and Buying Guide, p. 39A, Linhof Aerial Camera.

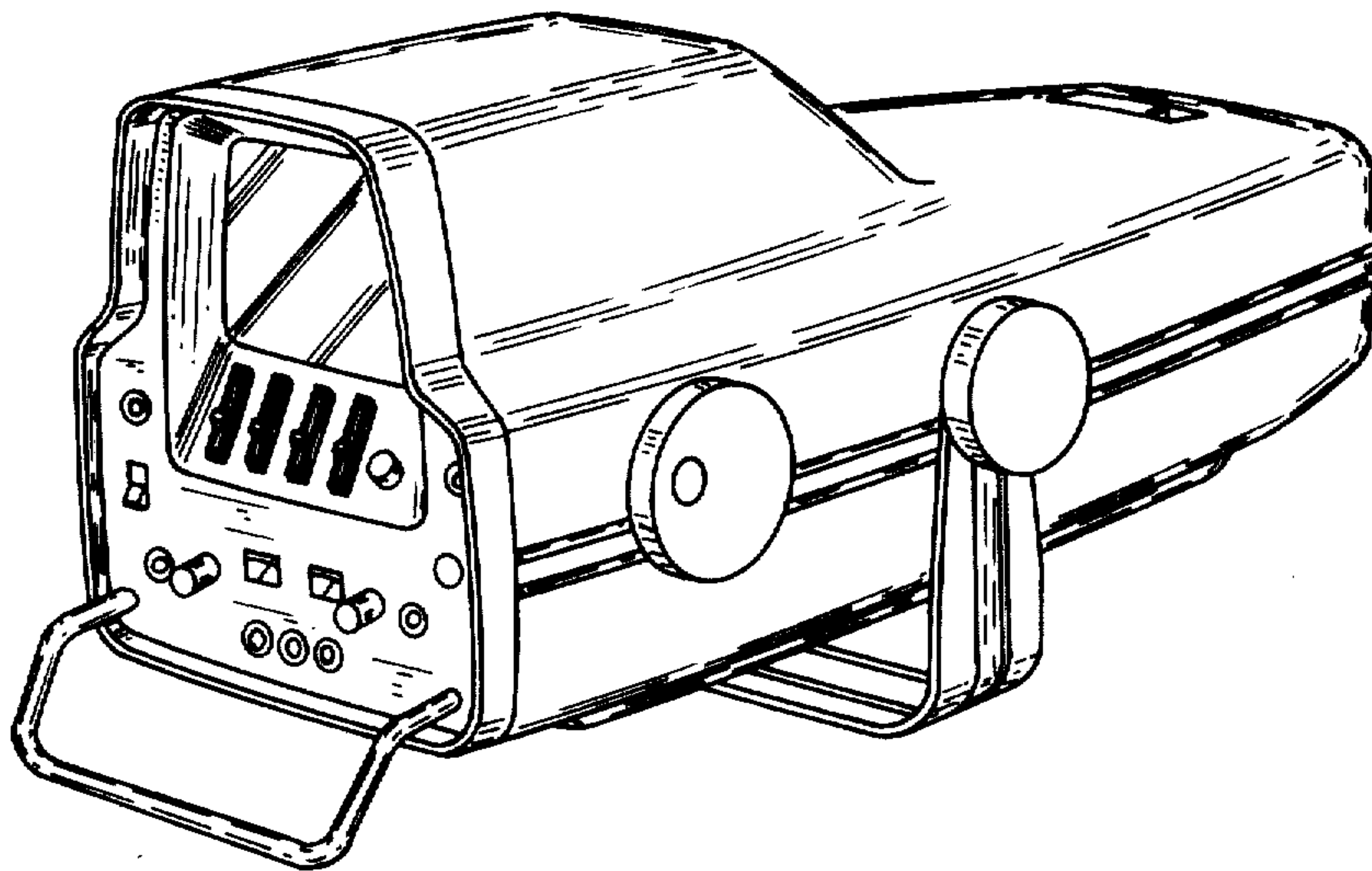
Primary Examiner—Melvin B. Feifer
Assistant Examiner—C. A. Rademaker
Attorney, Agent, or Firm—Paul D. Flehr

[57] CLAIM

The ornamental design for a television camera, as shown and described.

DESCRIPTION

FIG. 1 is a front perspective view of a television camera showing my new design;
FIG. 2 is a front elevational view thereof, shown on a slightly reduced scale;
FIG. 3 is a rear elevational view thereof;
FIG. 4 is a top plan view thereof;
FIG. 5 is a right side elevational view thereof; and,
FIG. 6 is a bottom plan view thereof.



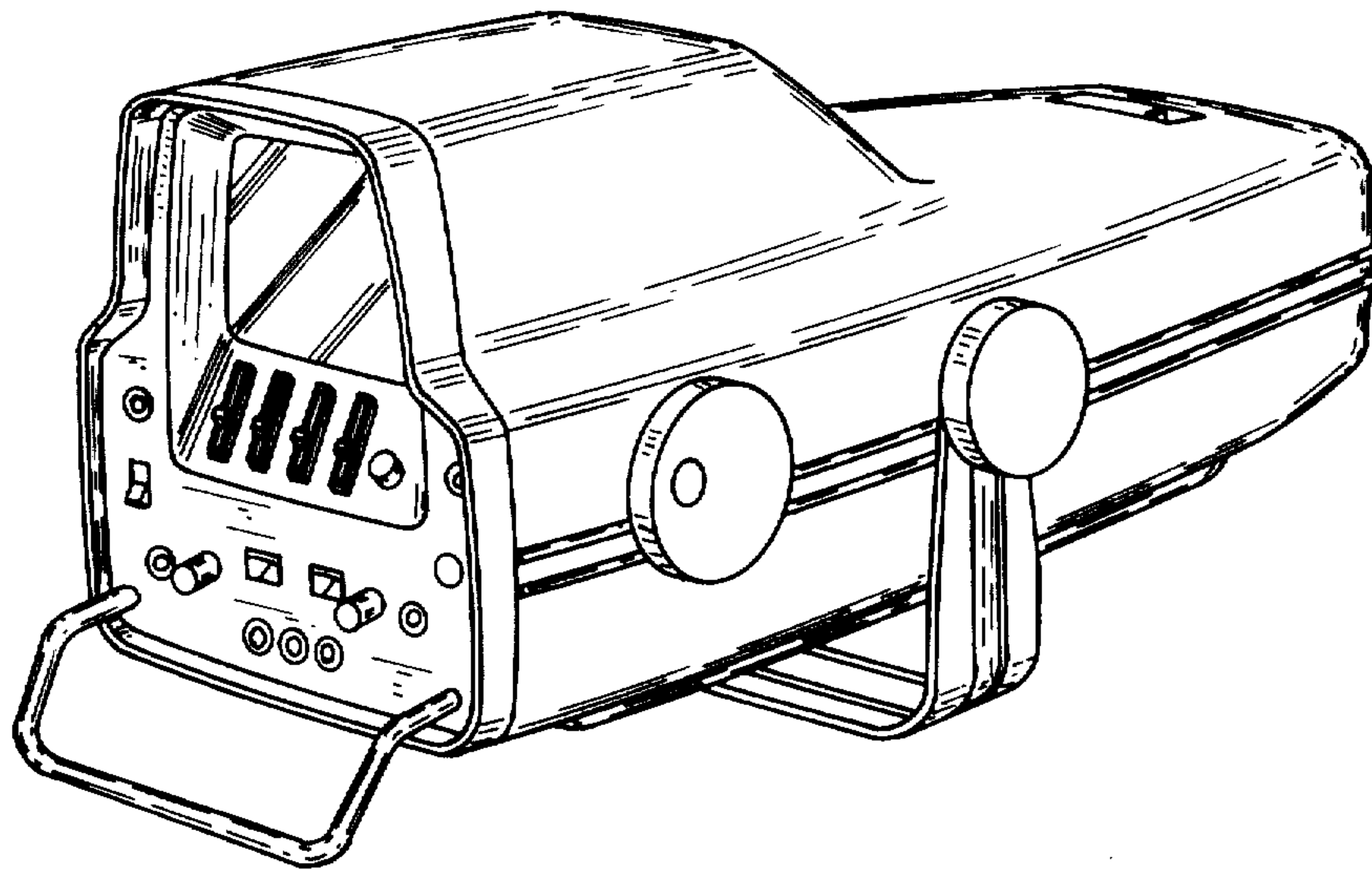


FIG.—1

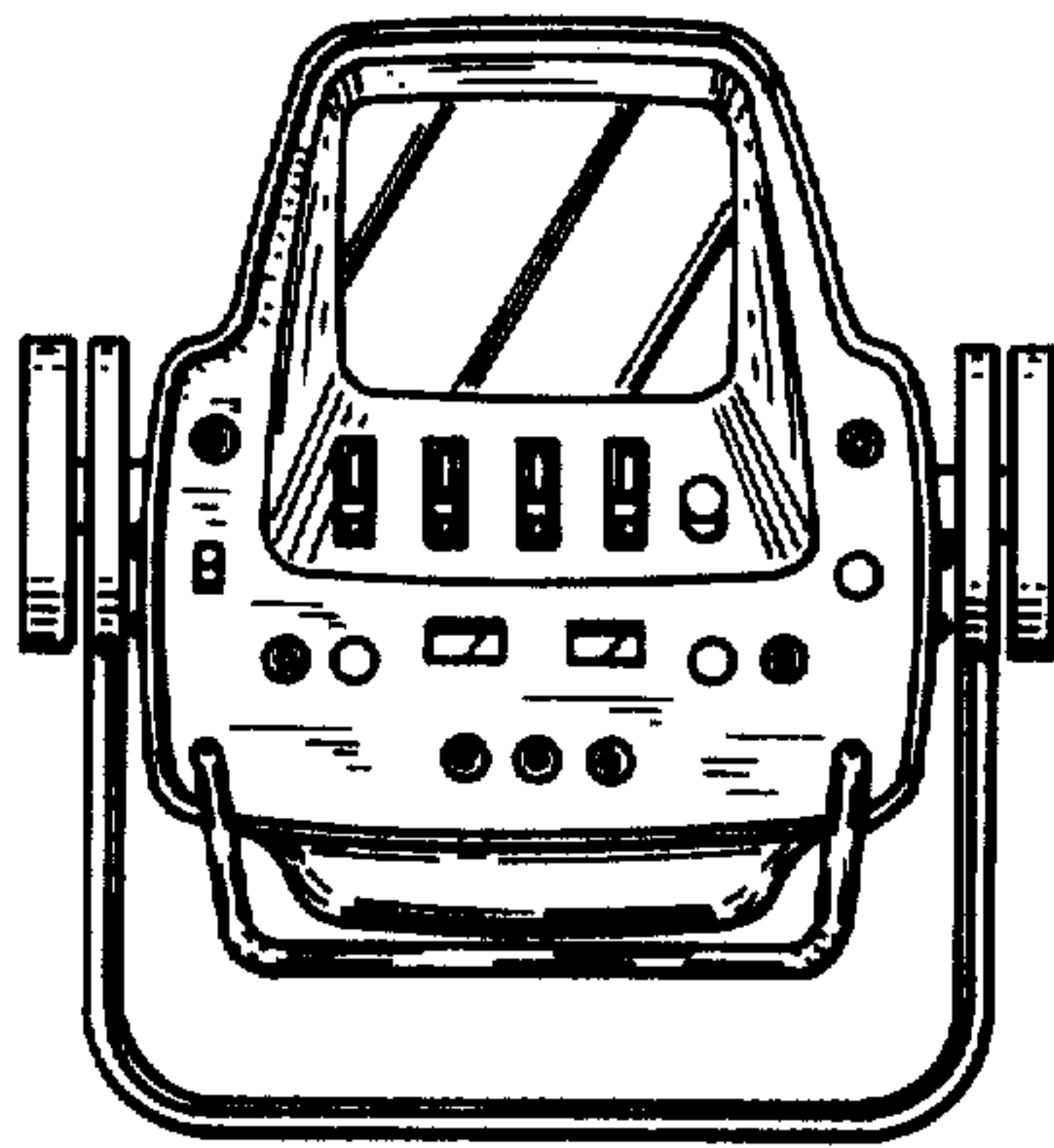


FIG.—2

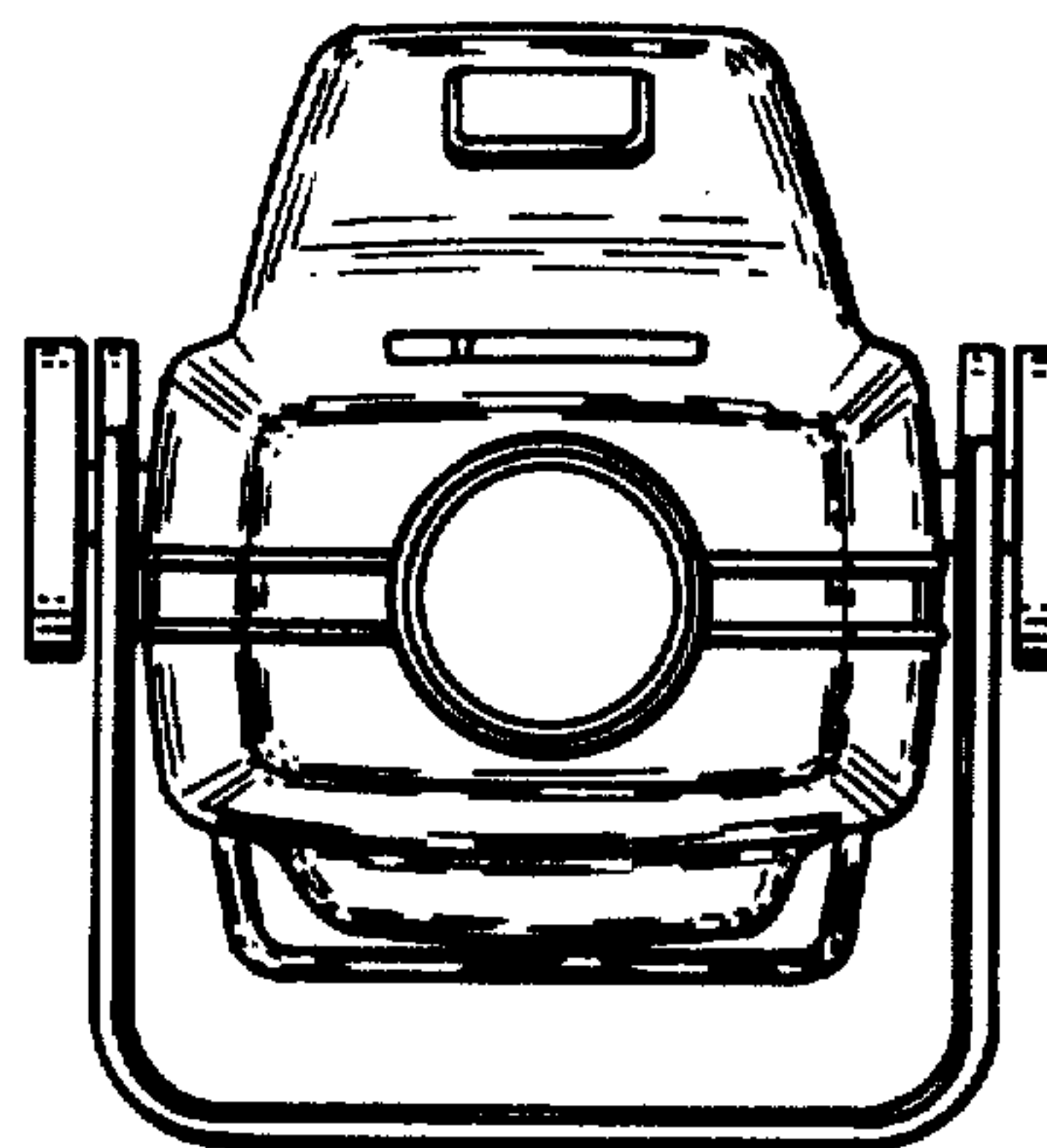


FIG.—3

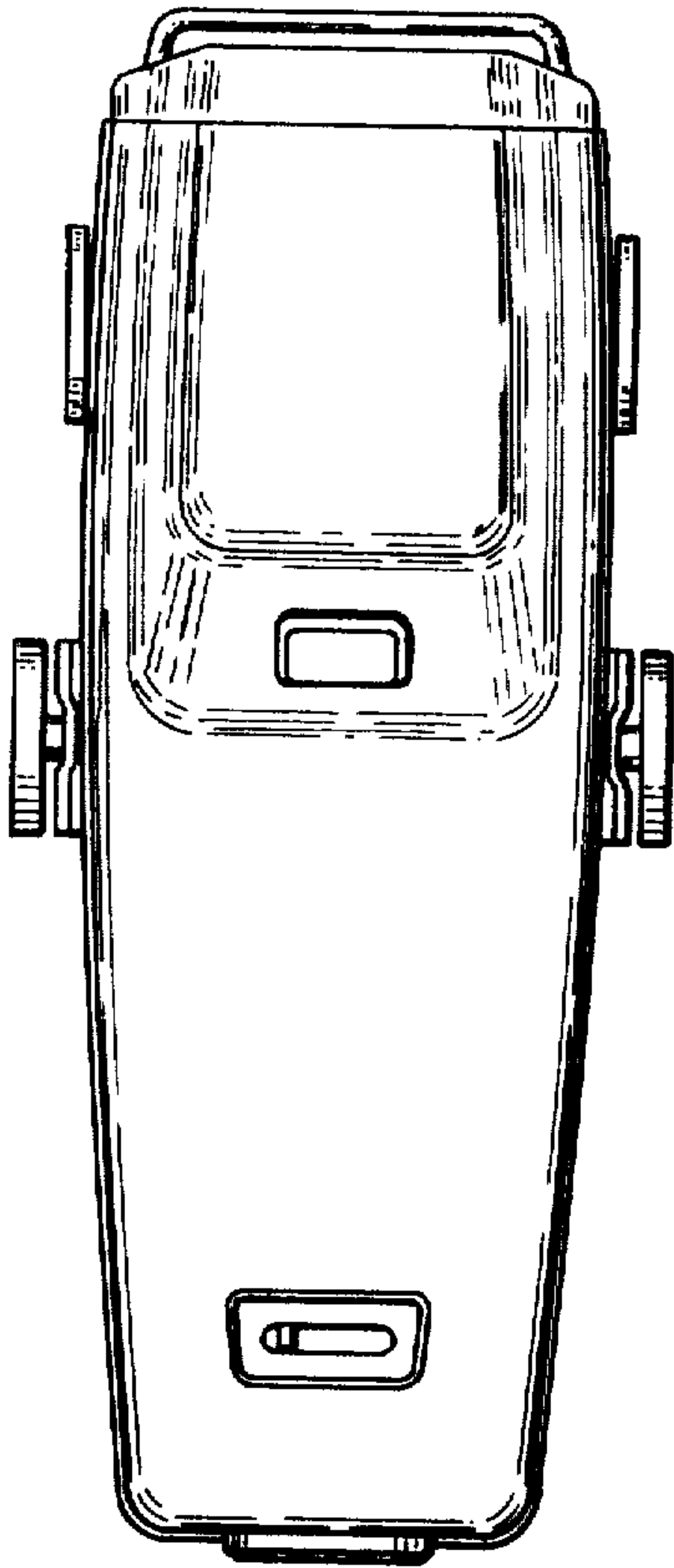


FIG.—4

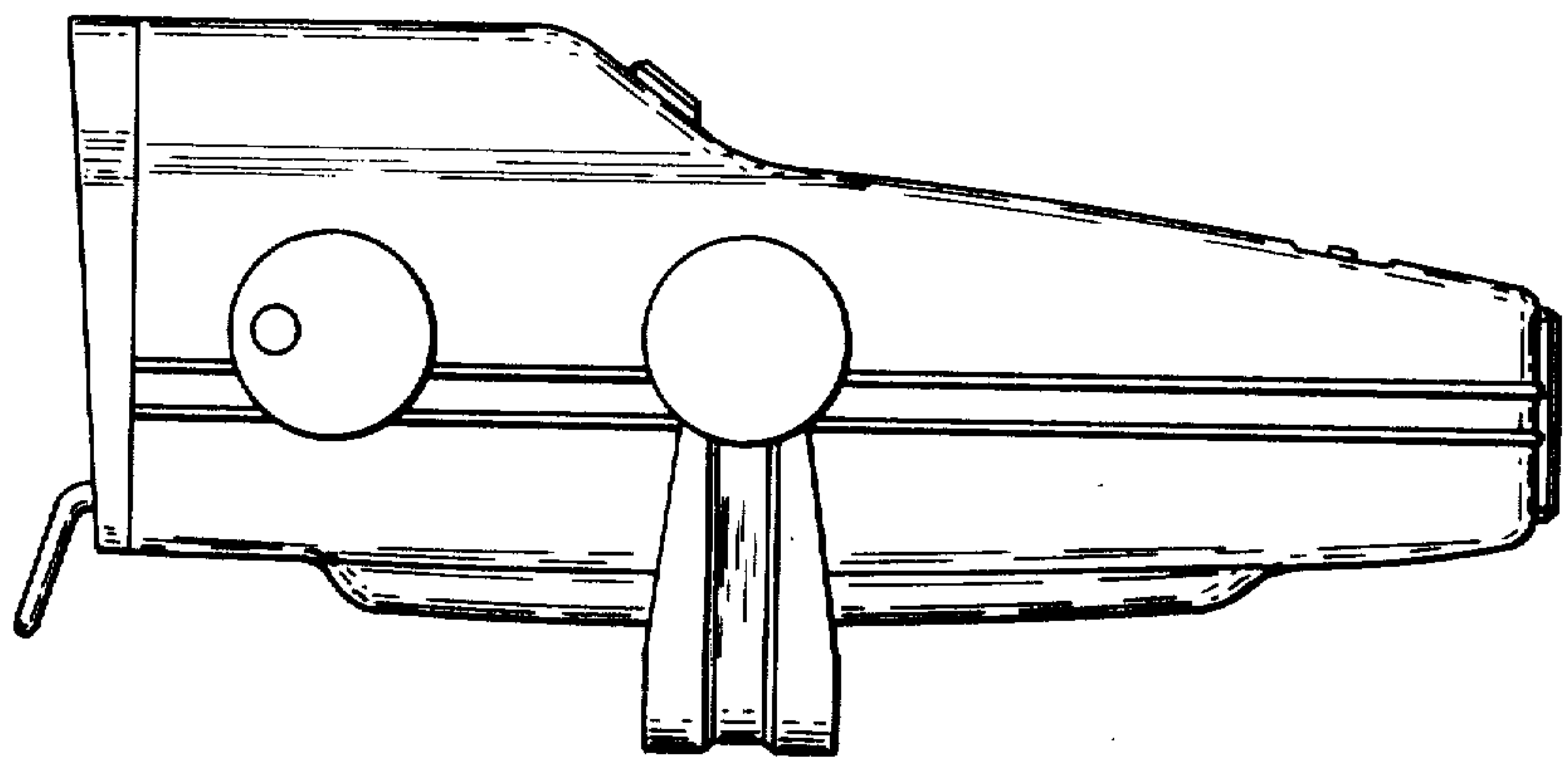


FIG.—5

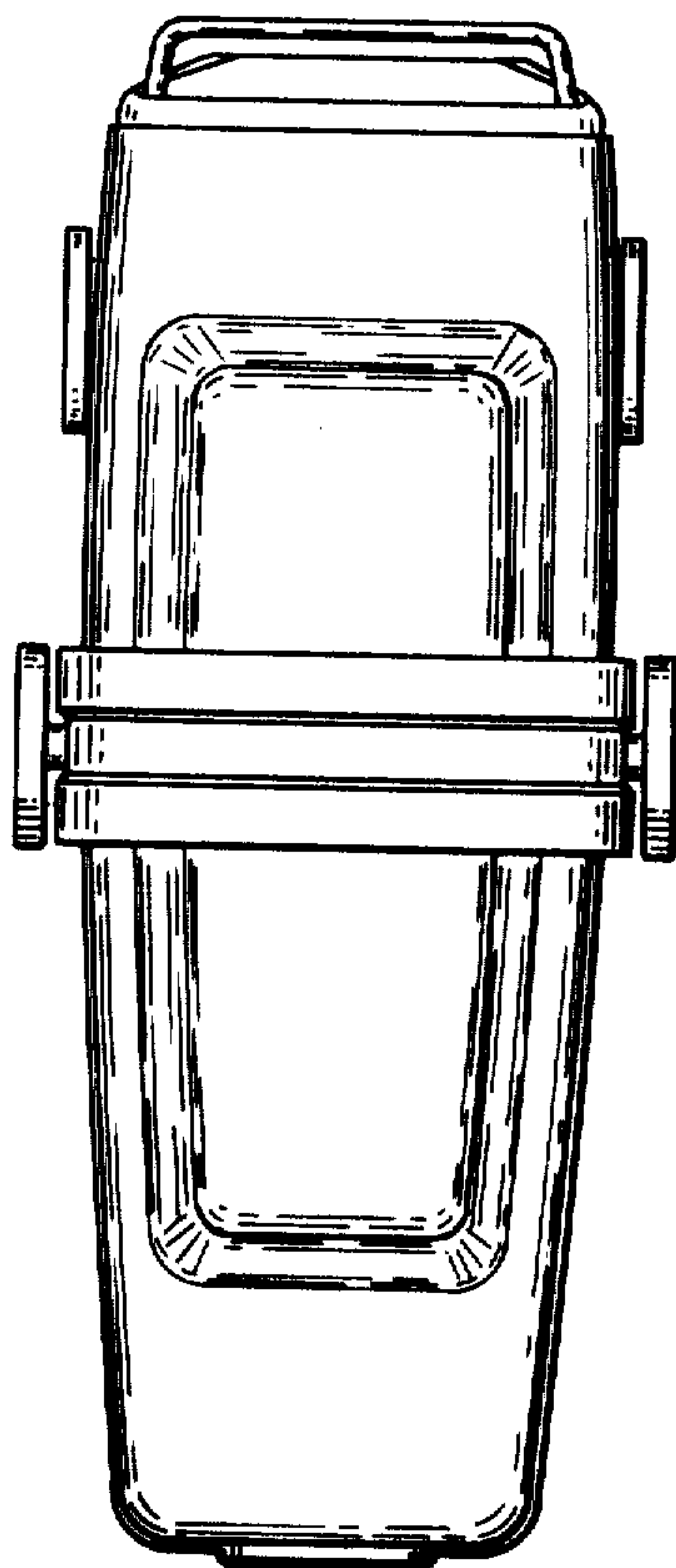


FIG.—6