

[54] **WHEEL CENTER**  
 [75] Inventors: **Joseph R. May, Chatham; Donald F. Morgan, Bloomington, both of N.J.**  
 [73] Assignee: **Amerace Corporation, New York, N.Y.**  
 [\*\*] Term: **14 Years**  
 [21] Appl. No.: **580,834**  
 [22] Filed: **May 27, 1975**  
 [51] Int. Cl. .... **D12-16**  
 [52] U.S. Cl. .... **D12/211**  
 [58] Field of Search ..... **D12/209, 211, 135; D8/226; 301/63 R, 63 PW, 64 R, 64 SD, 65, 66, 53; 16/45, 18**

2,188,786 1/1940 Hockensmith, Jr. .... 301/65  
 2,734,778 2/1956 Cook ..... 301/65  
 3,726,566 4/1973 Beith ..... 301/63 R  
 D. 234,590 3/1975 Davis ..... D12/211

*Primary Examiner*—Wallace R. Burke  
*Assistant Examiner*—James M. Gandy  
*Attorney, Agent, or Firm*—S. Michael Bender

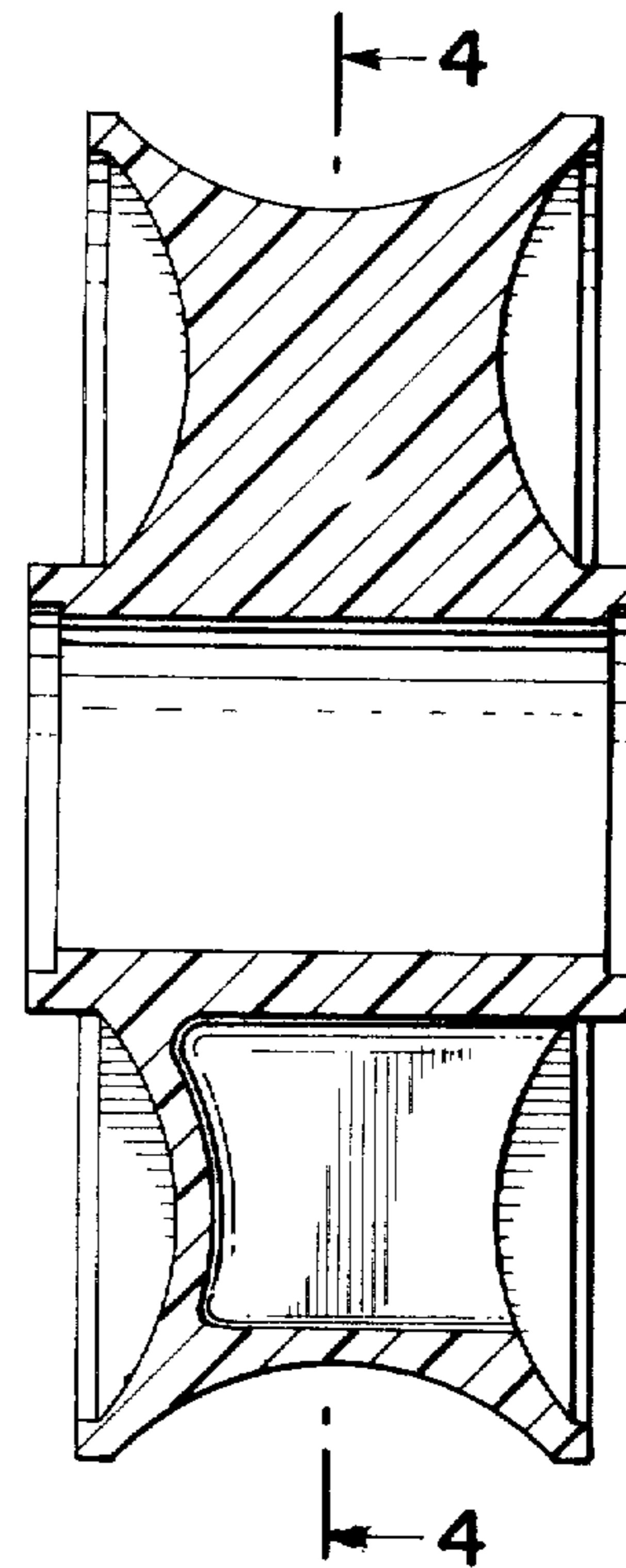
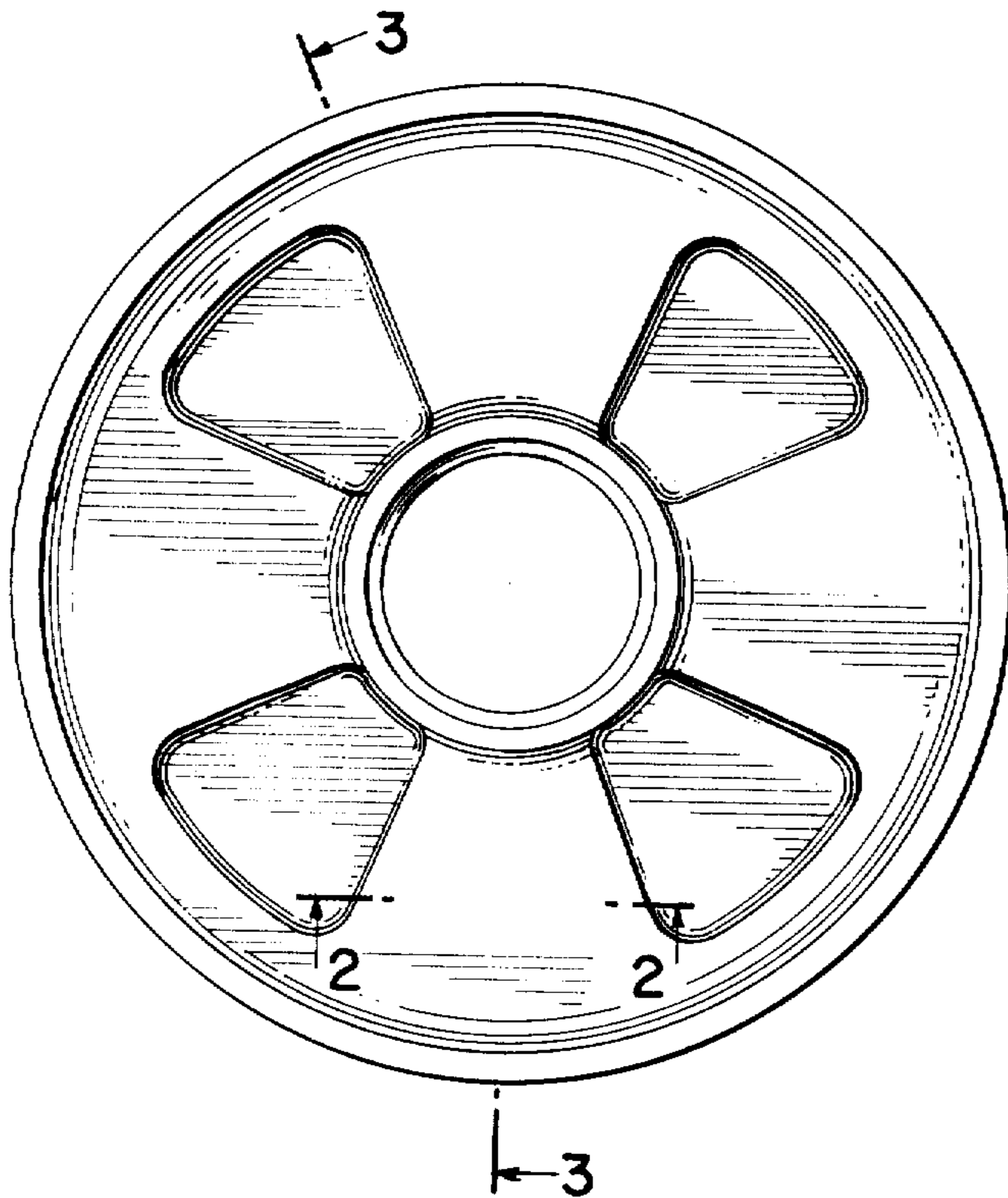
[56] **References Cited**  
**U.S. PATENT DOCUMENTS**  
 2,074,453 3/1937 Brackett ..... 301/64 SD

[57] **CLAIM**

The ornamental design for a wheel center, as shown.

**DESCRIPTION**

FIG. 1 is a front elevational view of a wheel center showing our new design;  
 FIG. 2 is a fragmentary sectional view thereof taken along the line 2—2 of FIG. 1;  
 FIG. 3 is a sectional view thereof taken along the line 3—3 of FIG. 1;  
 FIG. 4 is a sectional view thereof taken along the line 4—4 of FIG. 3.



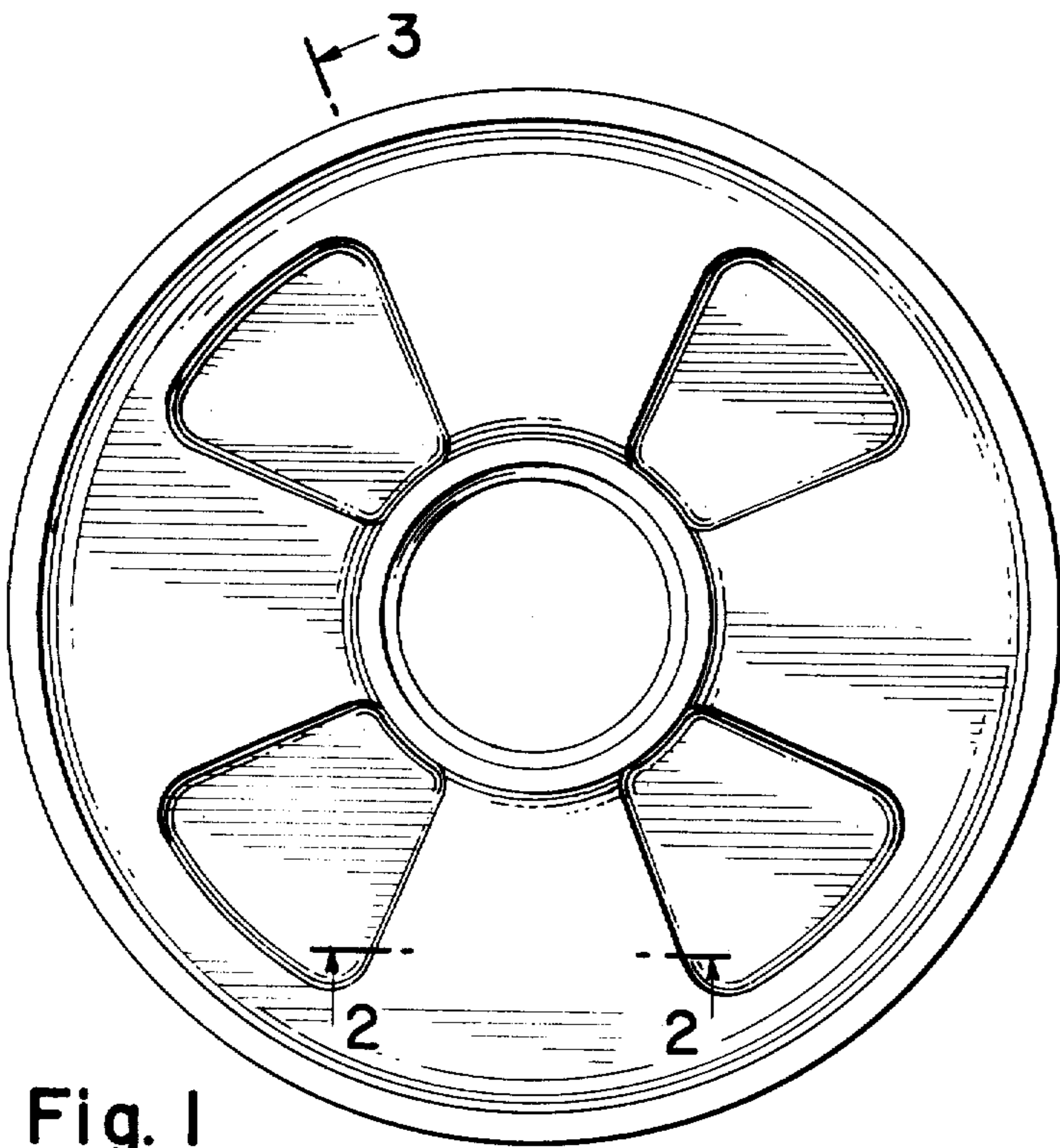


Fig. 1

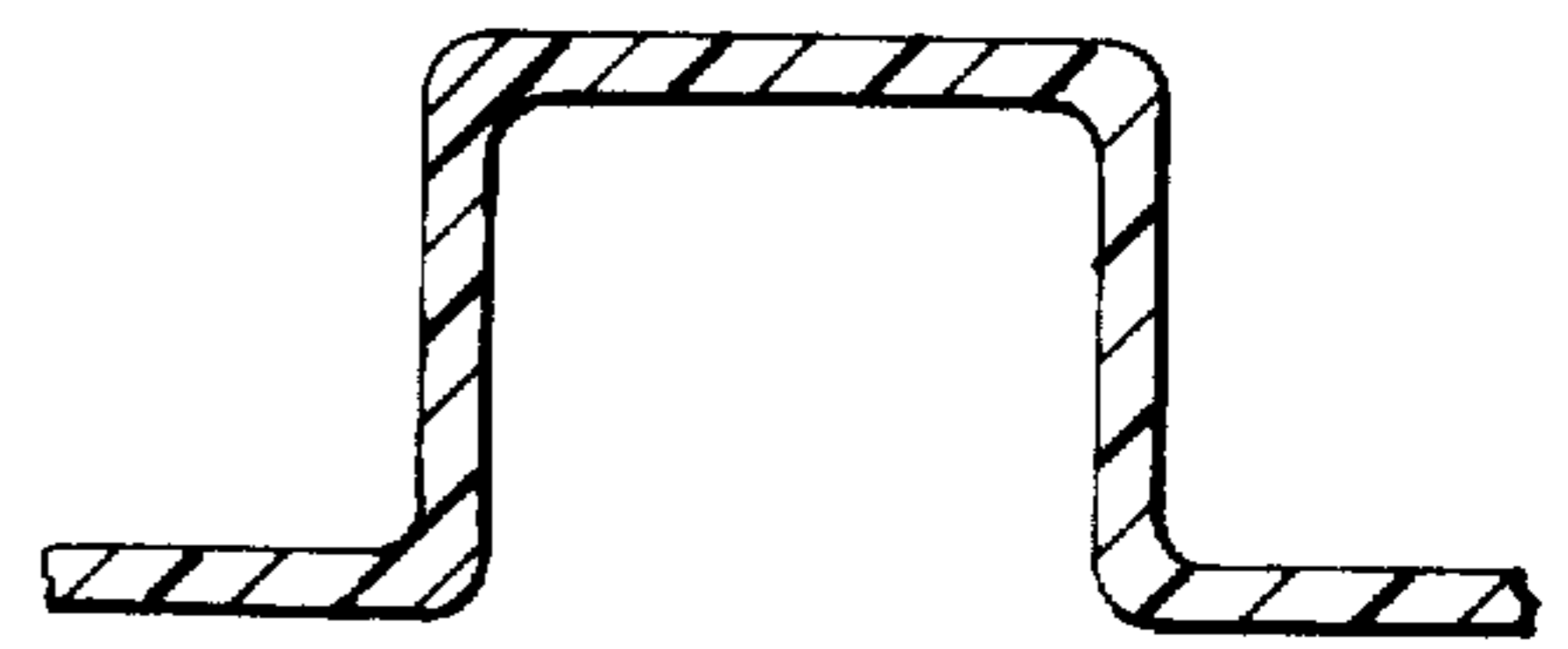


Fig. 2

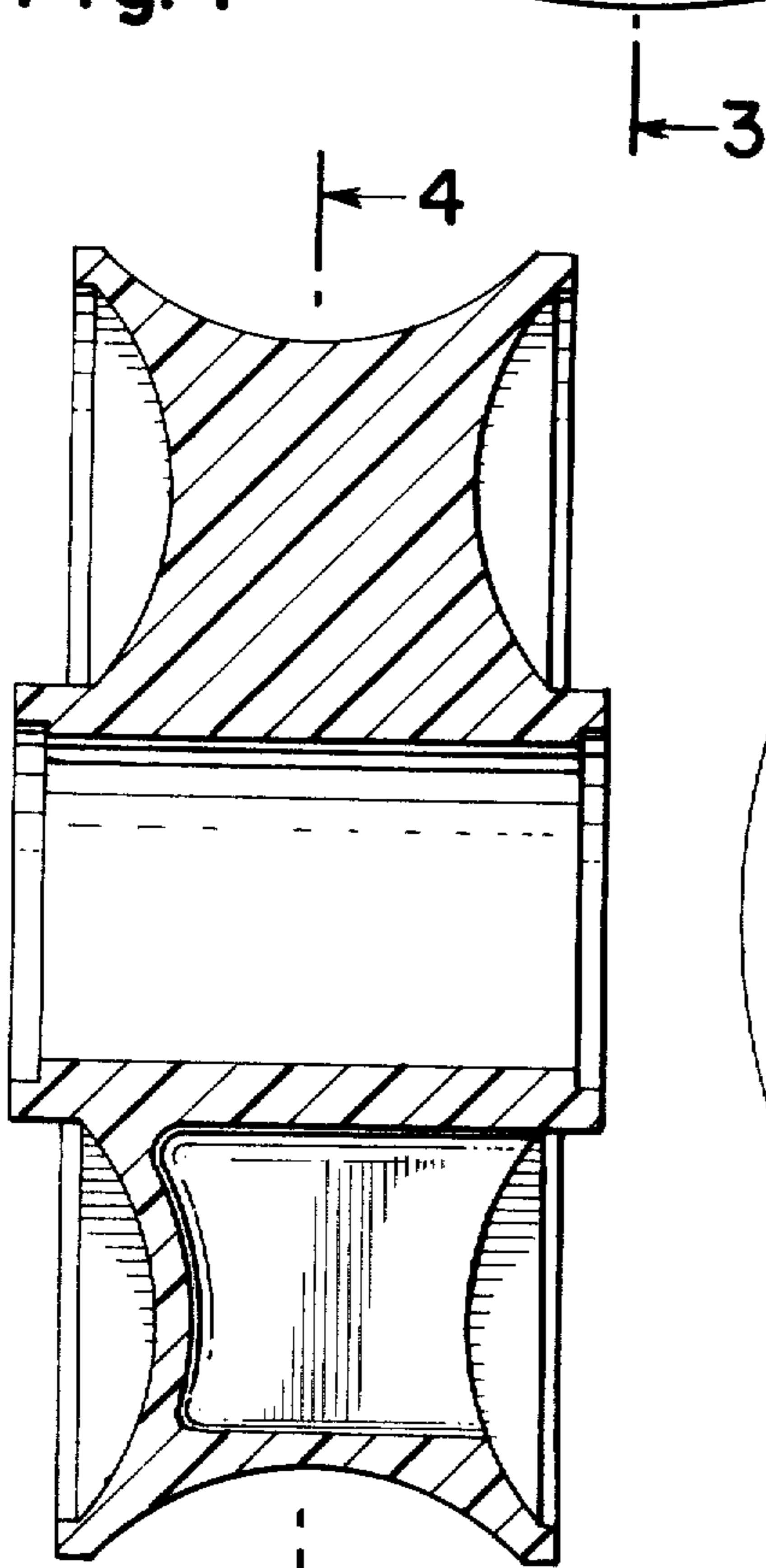


Fig. 3

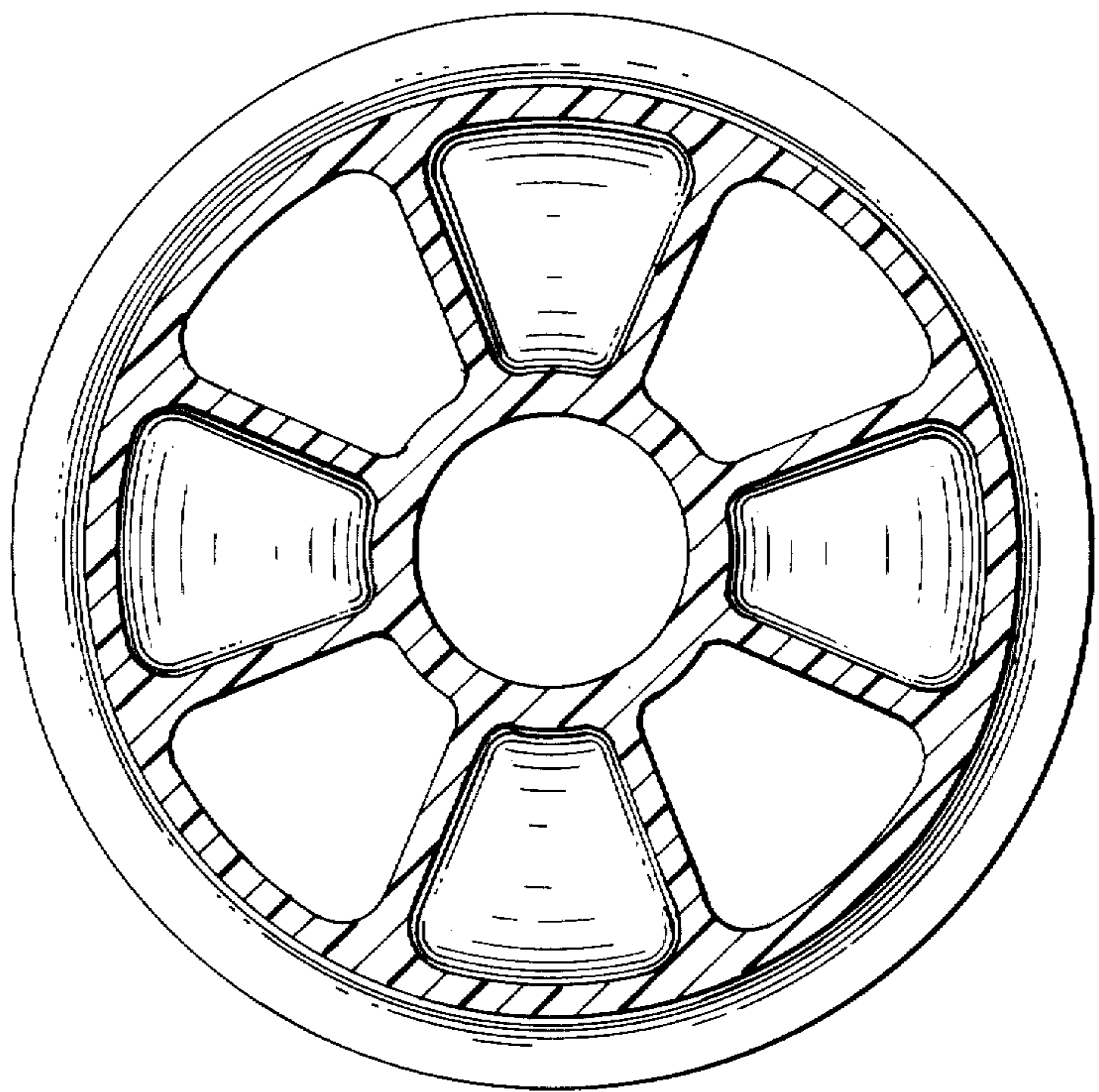


Fig. 4