

[54] SURVEY MONUMENT BASE

[76] Inventors: **Peter Berntsen; Phillip R. Peterson,**
both of P.O. Box 3025, Madison,
Wis. 53704

[**] Term: **14 Years**

[21] Appl. No.: **616,272**

[22] Filed: **Sept. 19, 1975**

[51] Int. Cl. **D10-04**

[52] U.S. Cl. **D10/66**

[58] Field of Search **D10/66, 74; 52/103**

2,181,032	11/1939	Watkins	52/103
3,685,237	8/1972	Johnson	52/103
3,748,795	7/1973	Berntsen	52/103
3,916,821	11/1975	Pies	52/103
D. 231,328	4/1974	Nasser	D8/228

Primary Examiner—Nelson C. Holtje
Attorney, Agent, or Firm—Theodore J. Long

[56] **References Cited**

U.S. PATENT DOCUMENTS

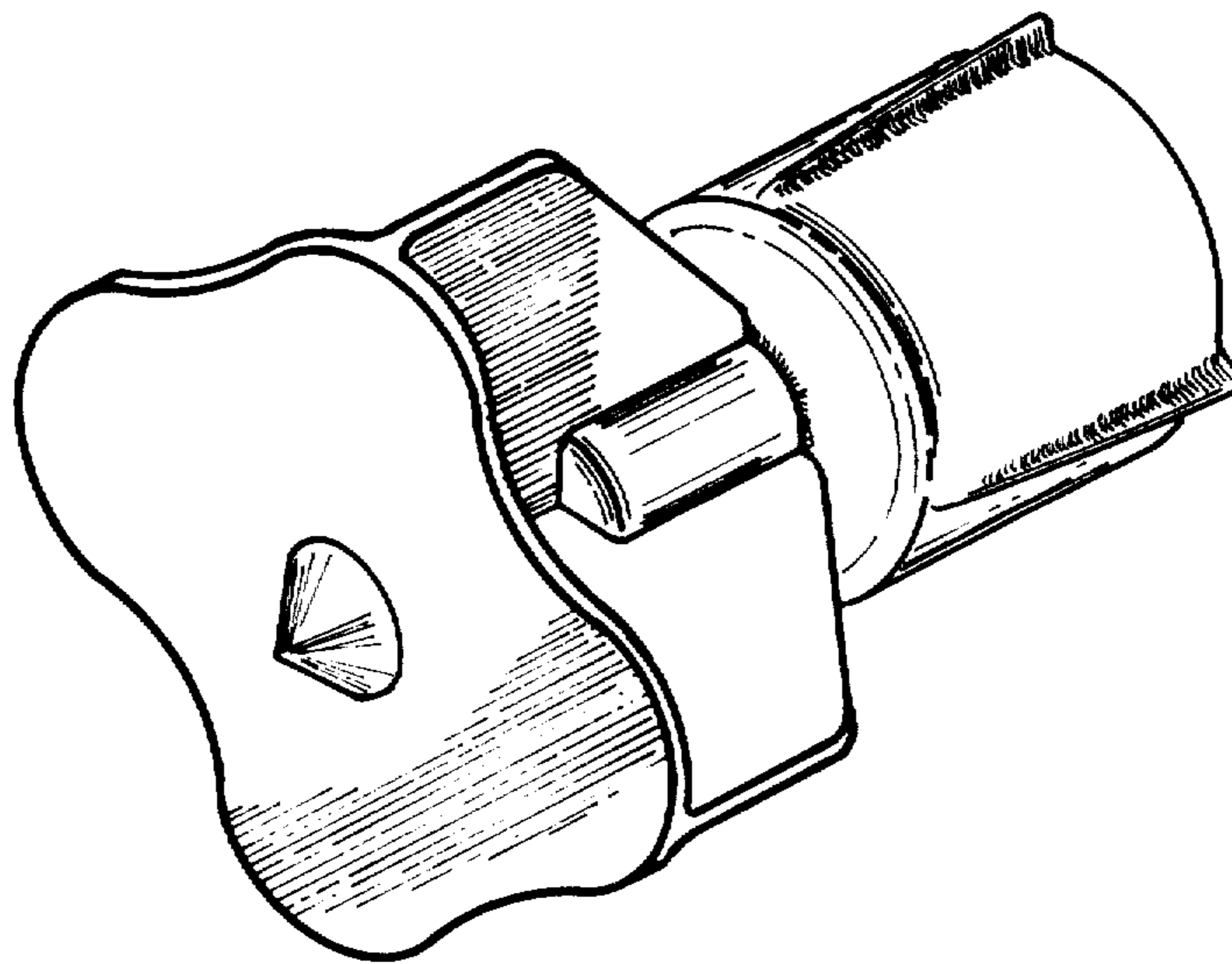
1,037,147	8/1912	Johnson	52/103
1,272,430	7/1918	Hanson	52/103
2,038,962	4/1936	Schulthess	52/103

[57] **CLAIM**

The ornamental design for a survey monument base, as shown.

DESCRIPTION

FIG. 1 is a bottom isometric view of a survey monument base showing our new design;
FIG. 2 is a side elevational view thereof;
FIG. 3 is a top plan view thereof;
FIG. 4 is a bottom plan view thereof.



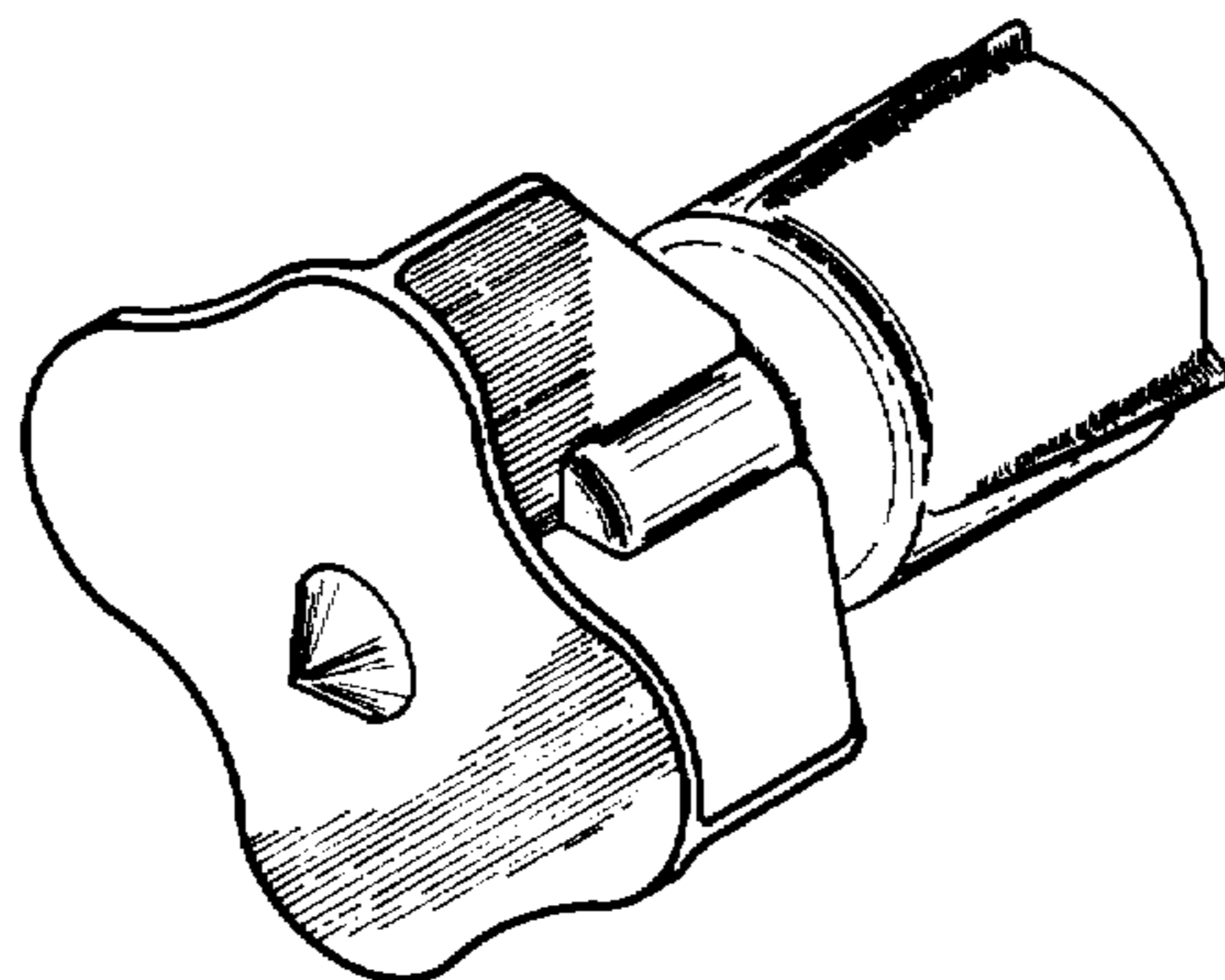


FIG. 1

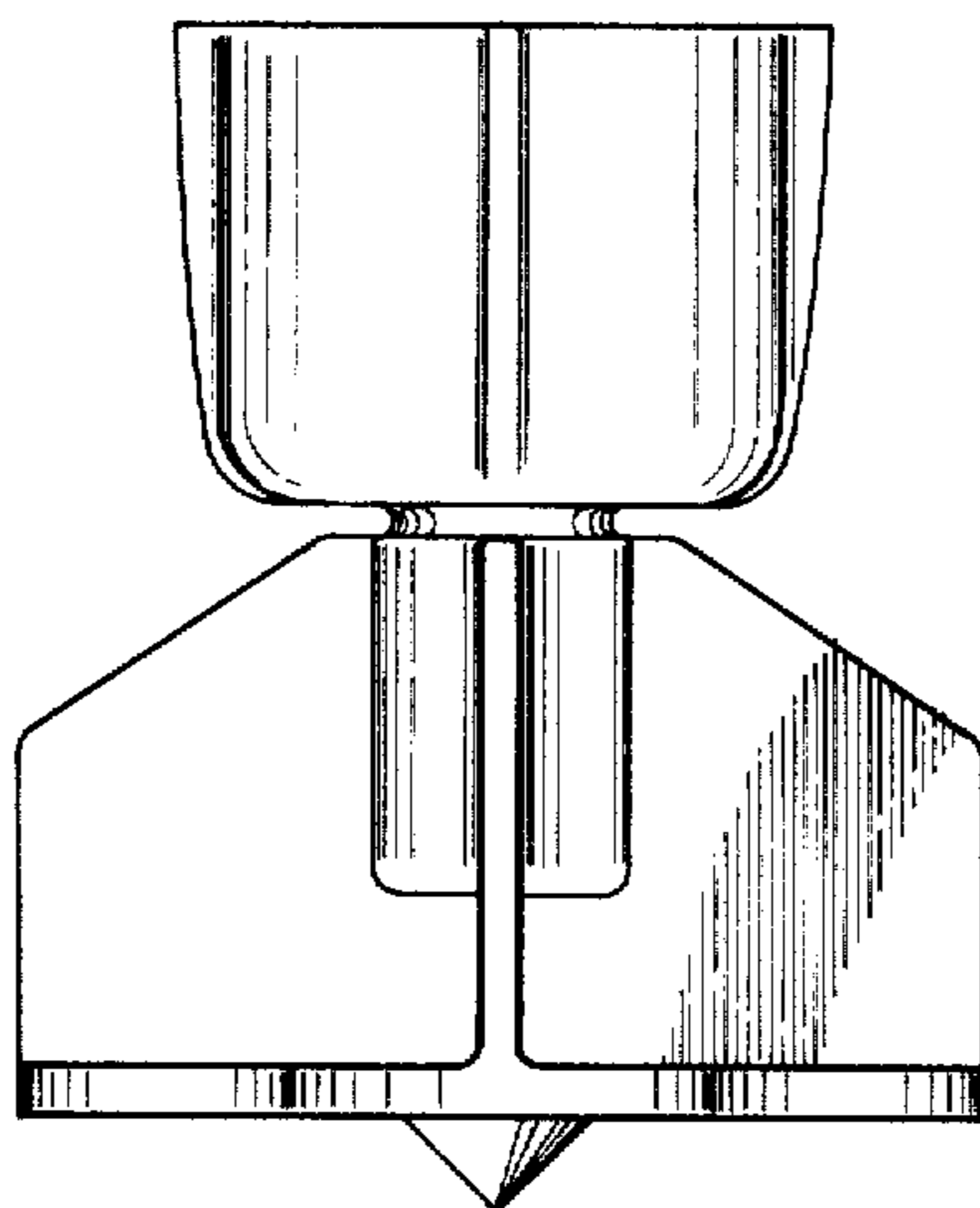


FIG. 2

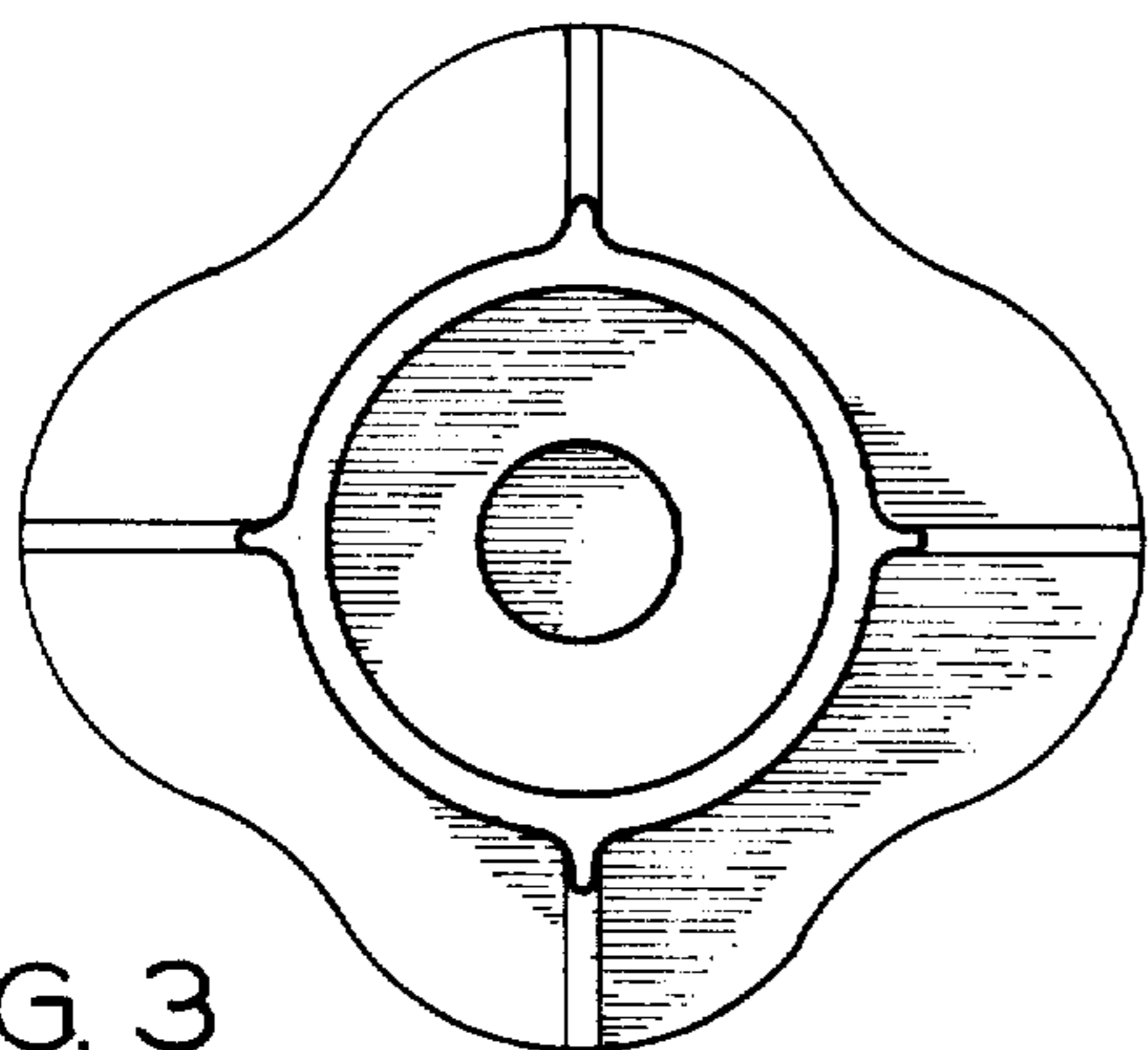


FIG. 3

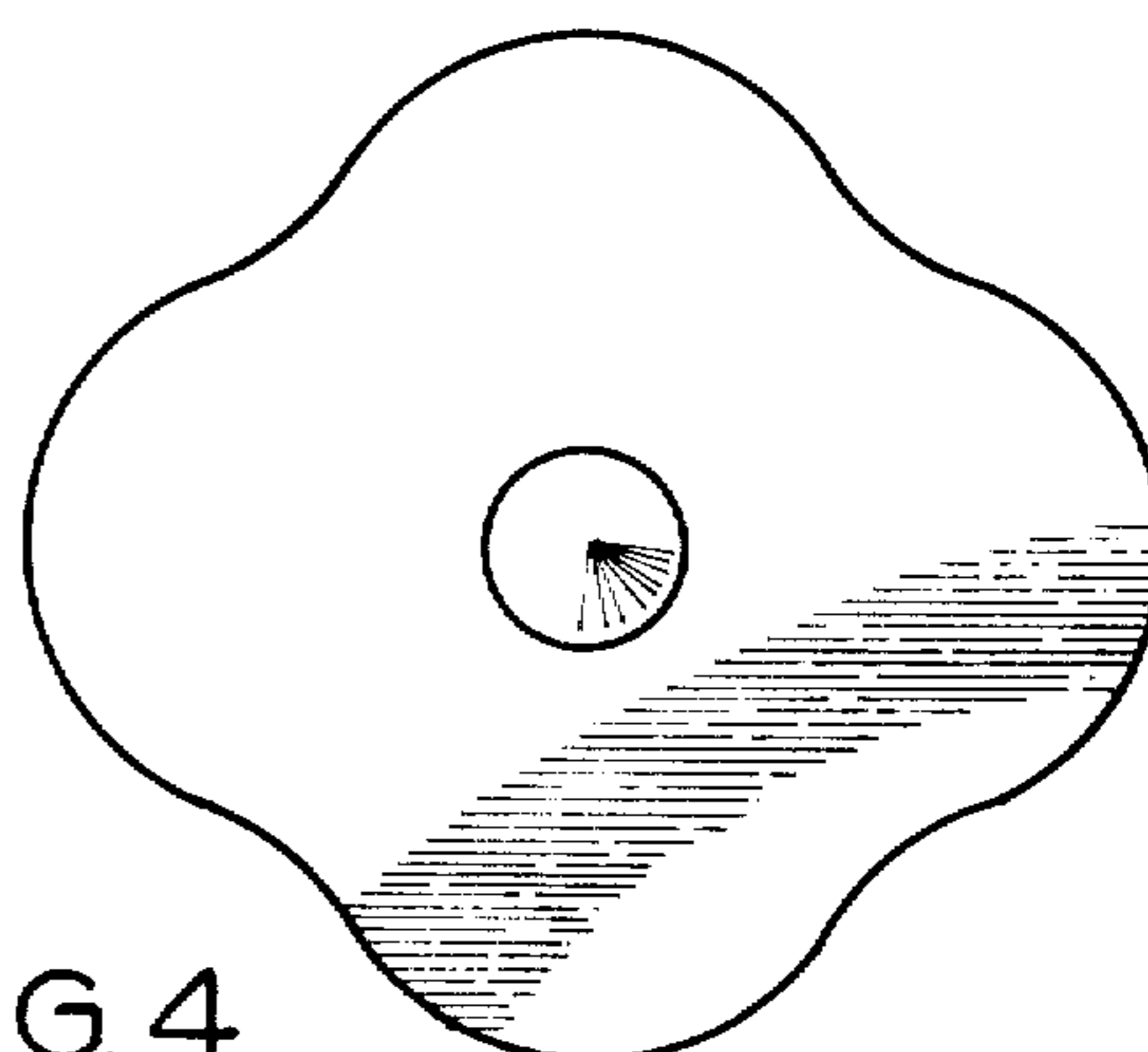


FIG. 4