

[54] **FORM FOR FILLING BAGS**

[75] Inventor: **Edward J. Bolwell**, Yonkers, N.Y.

[73] Assignee: **Topps-All Products of Yonkers, Inc.**,
Yonkers, N.Y.

[**] Term: **14 Years**

[21] Appl. No.: **547,824**

[22] Filed: **Feb. 7, 1975**

[51] Int. Cl. **D9-99**

[52] U.S. Cl. **D9/294**

[58] Field of Search 141/313-316,
141/390-391; D7/7; D9/249, 12, 290, 294;
D83/16

571,513 11/1896 Davidson 141/390 X

1,211,278 1/1917 Blum 141/316 X

2,729,956 1/1956 Gilbert 141/390 X

3,818,956 6/1974 Chamberlain 141/390 X

Primary Examiner—Robert C. Spangler
Attorney, Agent, or Firm—Charles E. Baxley

[57] **CLAIM**

The ornamental design for a form for filling bags, as shown and described.

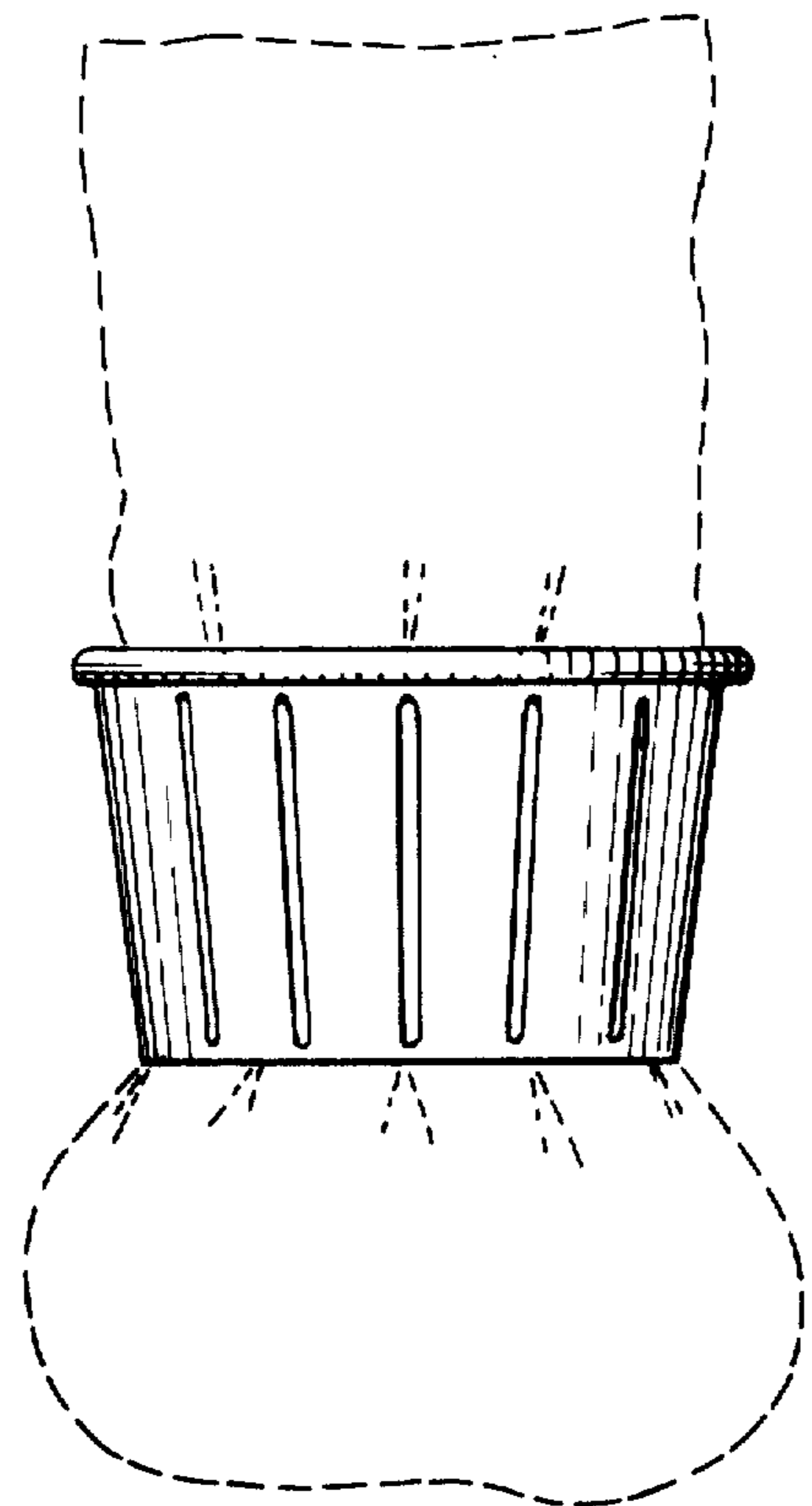
DESCRIPTION

FIG. 1 is an elevational view of a form for filling bags showing my new design, with a bag shown in broken lines for illustrative purposes only; FIG. 2 is a top plan view; and FIG. 3 is a bottom plan view. The bag in FIG. 1 is shown in dashed lines and it forms no part of my design.

[56] **References Cited**

U.S. PATENT DOCUMENTS

435,638 9/1890 Barnes 141/390 X



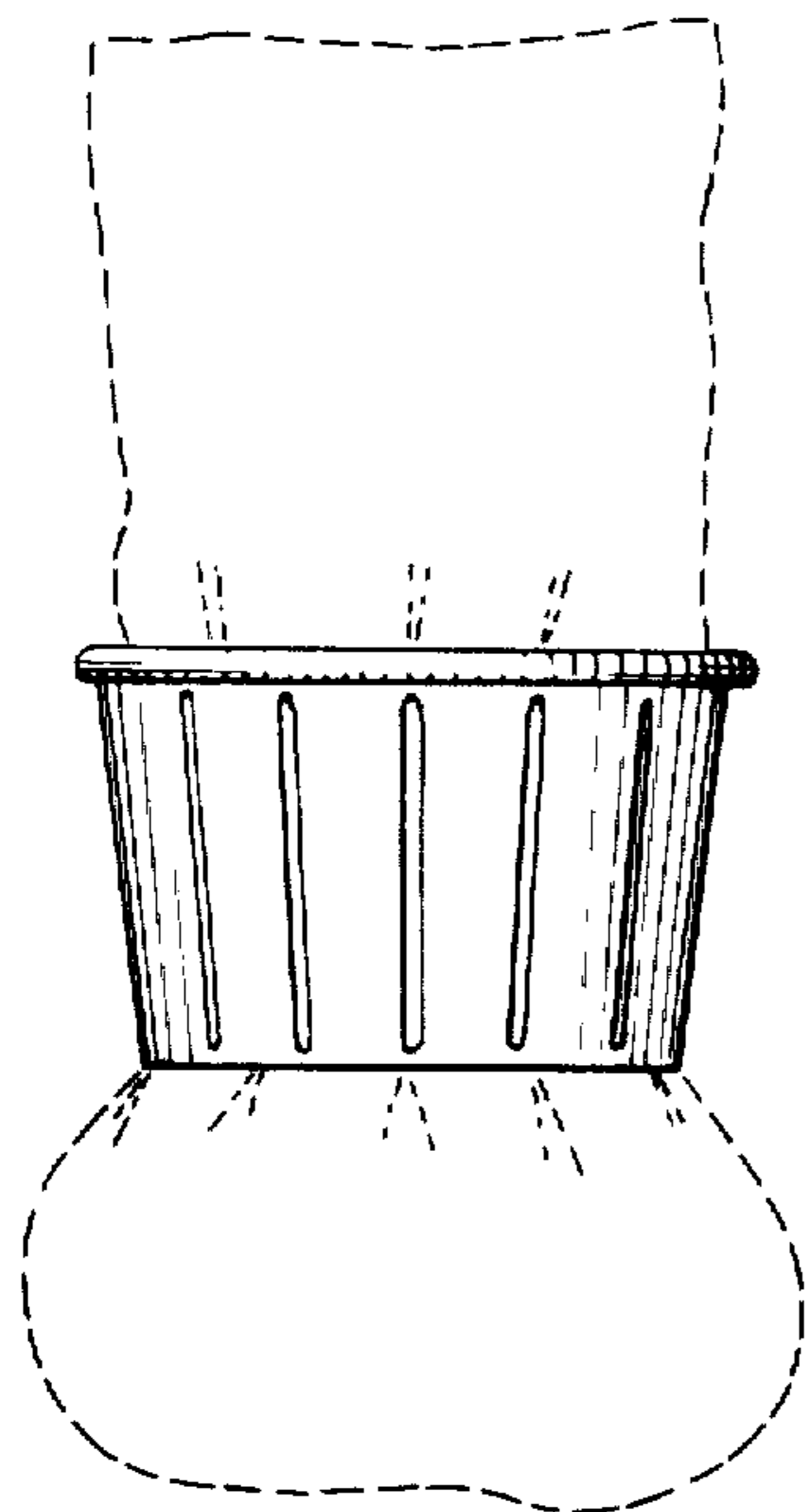


FIG. 1

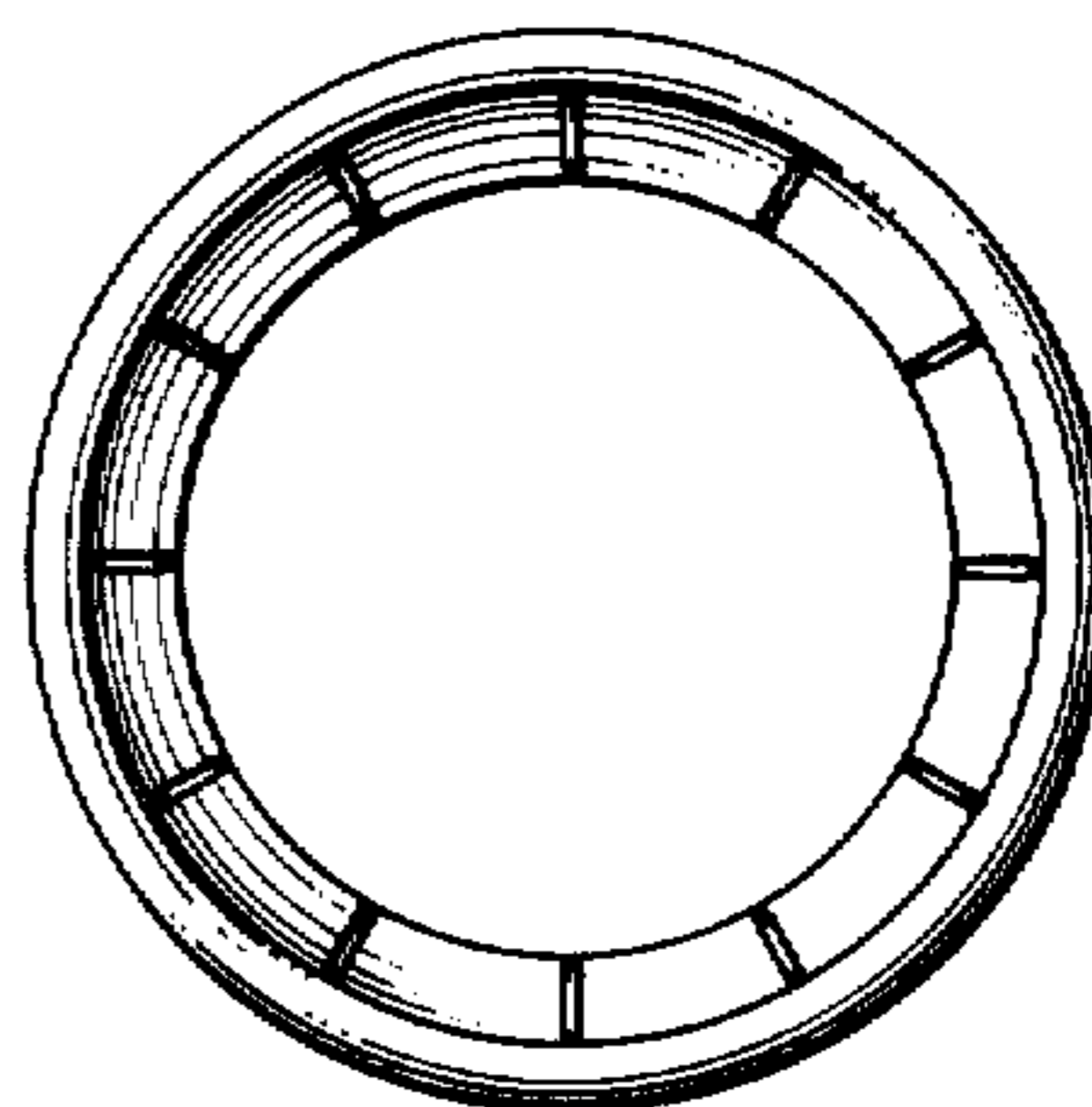


FIG. 2

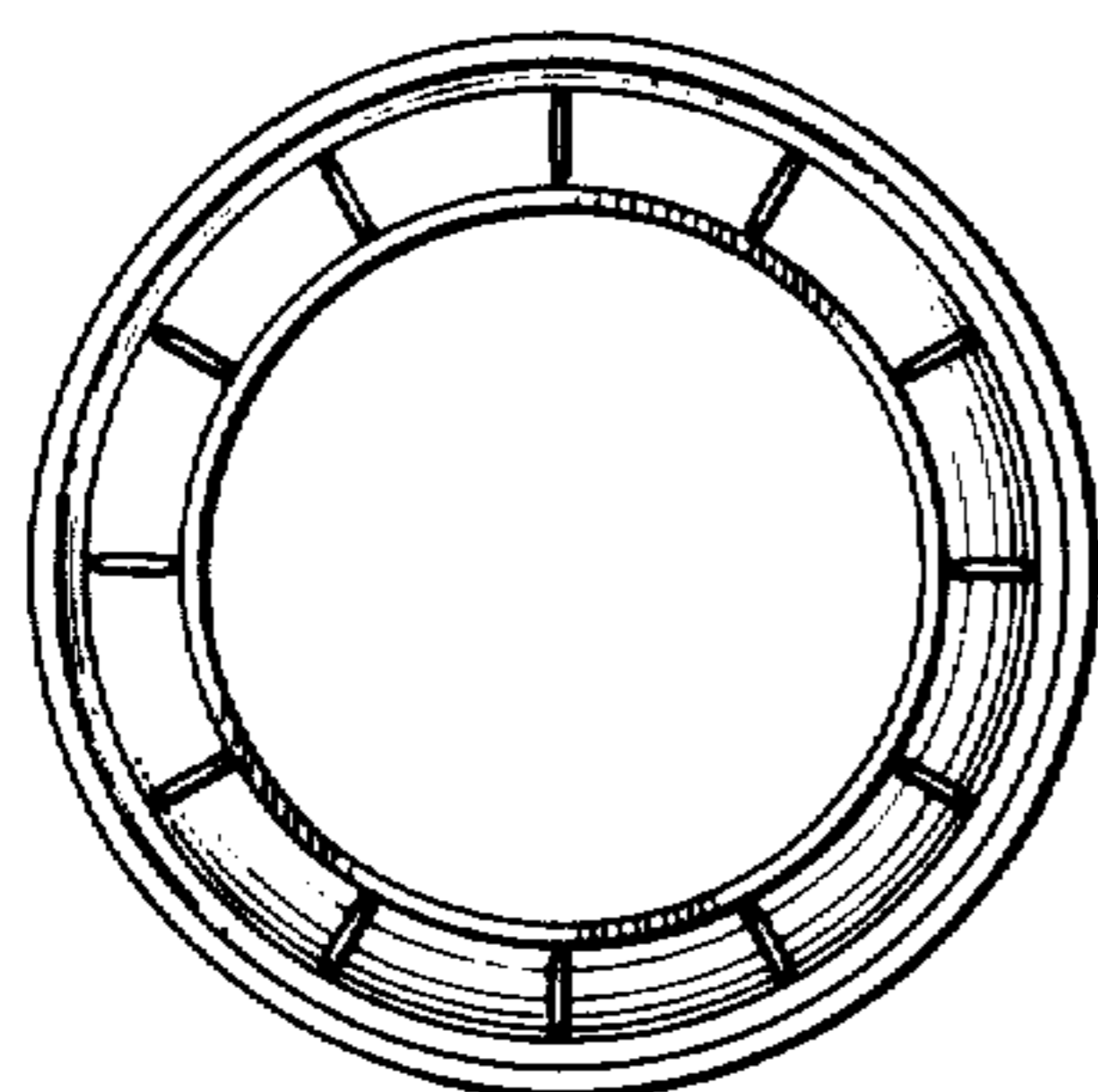


FIG. 3