

[54] **TOOTHBRUSH CONTAINER**

[76] Inventor: **Charles S. Fentules**, 15 Illinois Ave.,
Youngstown, Ohio 44505

[**] Term: **14 Years**

[21] Appl. No.: **603,151**

[22] Filed: **Aug. 8, 1975**

[51] Int. Cl. **D9-03**

[52] U.S. Cl. **D9/216**

[58] Field of Search D9/216; 206/223, 361,
206/362, 362.1, 362.2, 362.3, 362.4, 15.2,
15.3; 220/4 R, 4 B, 4 E, 8; 132/79 R, 84 R, 84
A, 84 B, 84 C, 84 D, 85; 15/167 R, 167 A

[56] **References Cited**

U.S. PATENT DOCUMENTS

2,813,286 11/1957 Strader 15/118

2,813,289 11/1957 Even 206/361 X

2,815,057 12/1957 Tupper 206/362.2 X

2,964,045 12/1960 Otto et al. 132/84 R

3,341,884 9/1967 Pryor 206/361 X

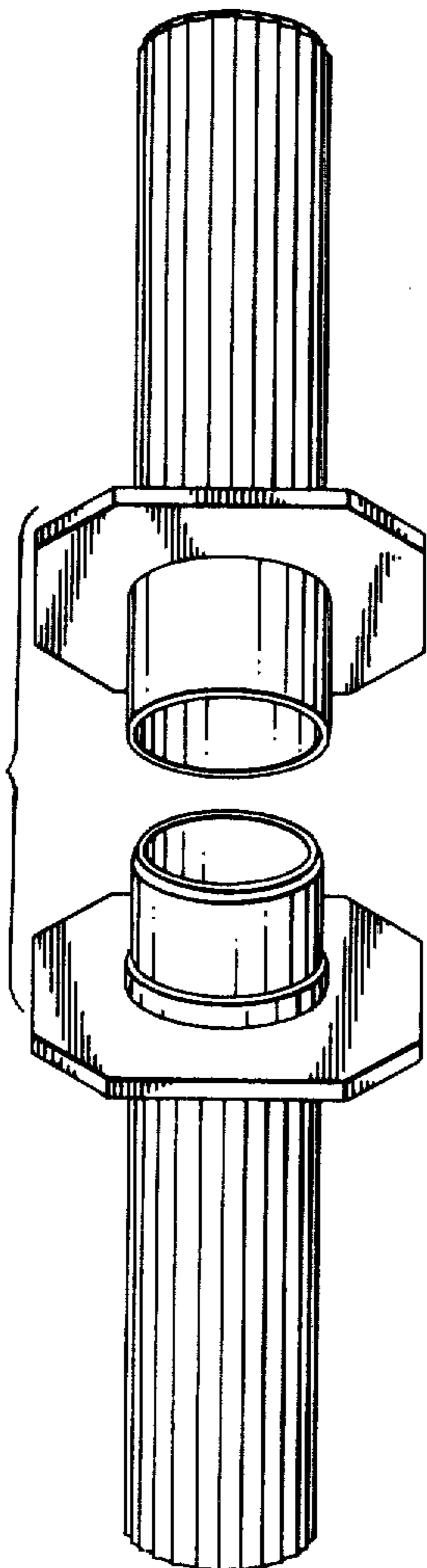
Primary Examiner—Wallace R. Burke
Assistant Examiner—Catherine Kemper
Attorney, Agent, or Firm—Webster B. Harpman

[57] **CLAIM**

The ornamental design for a toothbrush container, as shown and described.

DESCRIPTION

FIG. 1 is a side elevational view of a toothbrush container showing my new design; FIG. 2 is a top plan view thereof, and FIG. 3 is an exploded view thereof with both sections shown in perspective. The bottom of the device is substantially the same in appearance as the top as disclosed in FIG. 2.



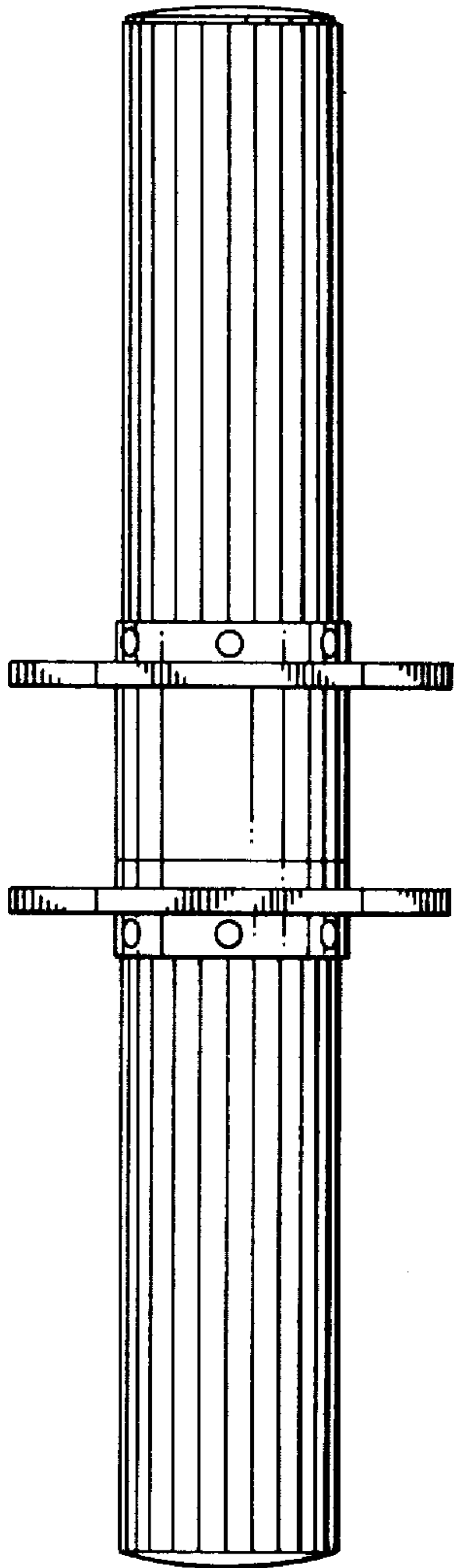


FIG. 1

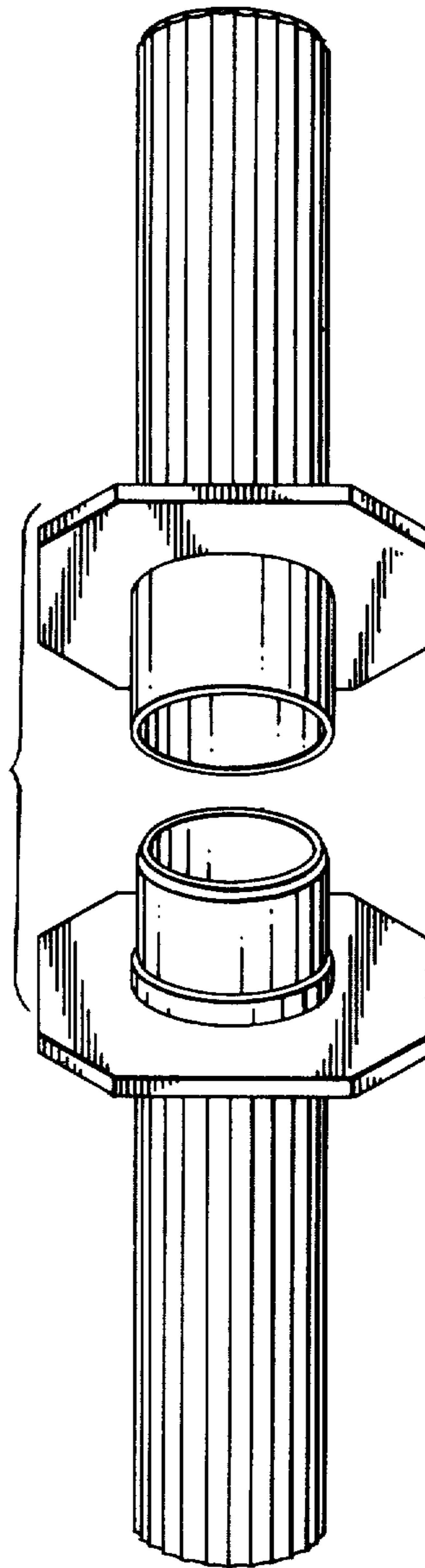


FIG. 3

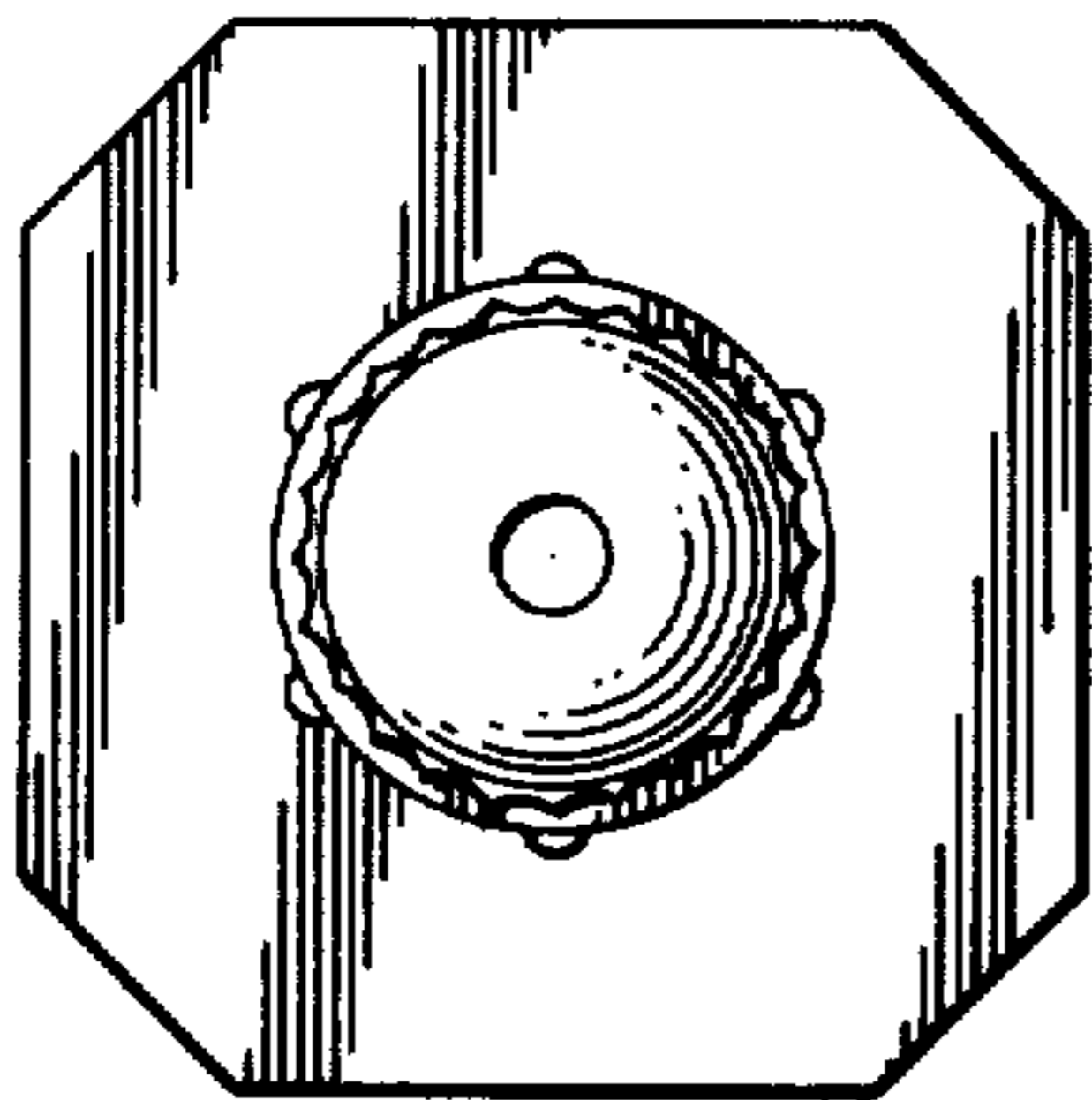


FIG. 2