

[54] **WIRE STRIPPING TOOL**

[76] Inventor: **Zdzislaw Bieganski**, Brushwood, Kingsbourne Green, Harpenden, Hertfordshire, England

[**] Term: **14 Years**

[21] Appl. No.: **621,386**

[22] Filed: **Oct. 10, 1975**

[30] **Foreign Application Priority Data**

Apr. 23, 1975 United Kingdom 97084/75

[51] Int. Cl. **D8-05**

[52] U.S. Cl. **D8/61**

[58] Field of Search **D8/61; 81/9.5 R, 9.5 A, 81/9.5 B**

[56] **References Cited**

U.S. PATENT DOCUMENTS

3,765,277 10/1973 Sorensen 81/9.5 A
D. 176,846 2/1956 Fischer et al. D8/61

Primary Examiner—Alan P. Douglas
Attorney, Agent, or Firm—Marshall & Yeasting

[57] **CLAIM**

The ornamental design of a wire stripping tool, as shown.

DESCRIPTION

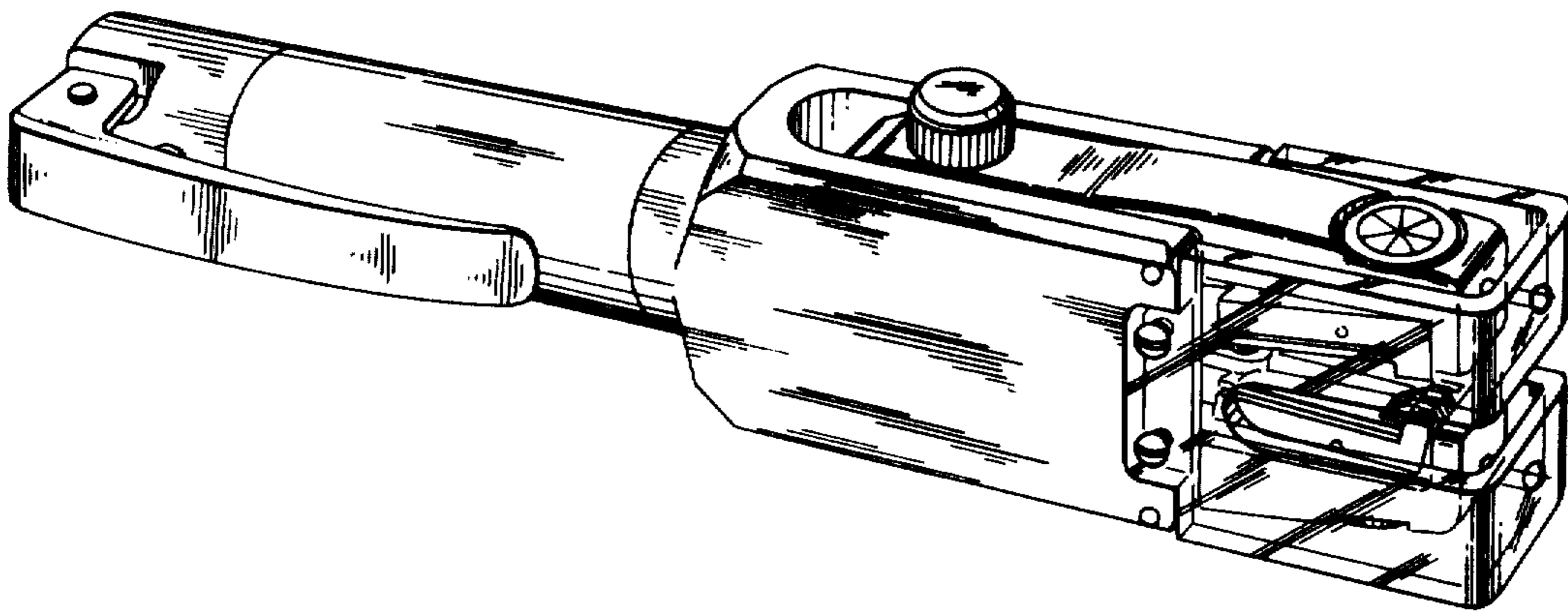
FIG. 1 is a perspective view showing one side of the wire stripping tool;

FIG. 2 is the opposite side view of the wire stripping tool;

FIG. 3 is a plan view of the wire stripping tool;

FIG. 4 is a front view of the wire stripping tool; and

FIG. 5 is a rear view of the wire stripping tool.



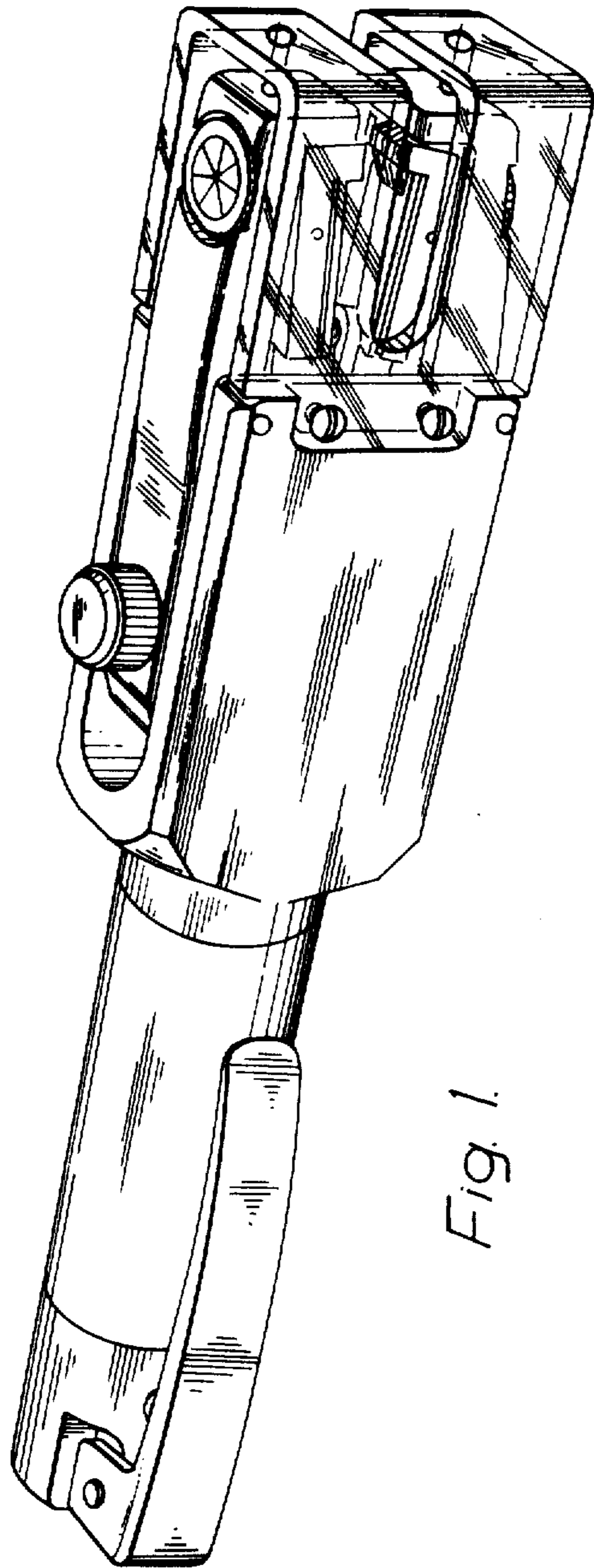


Fig. 1.

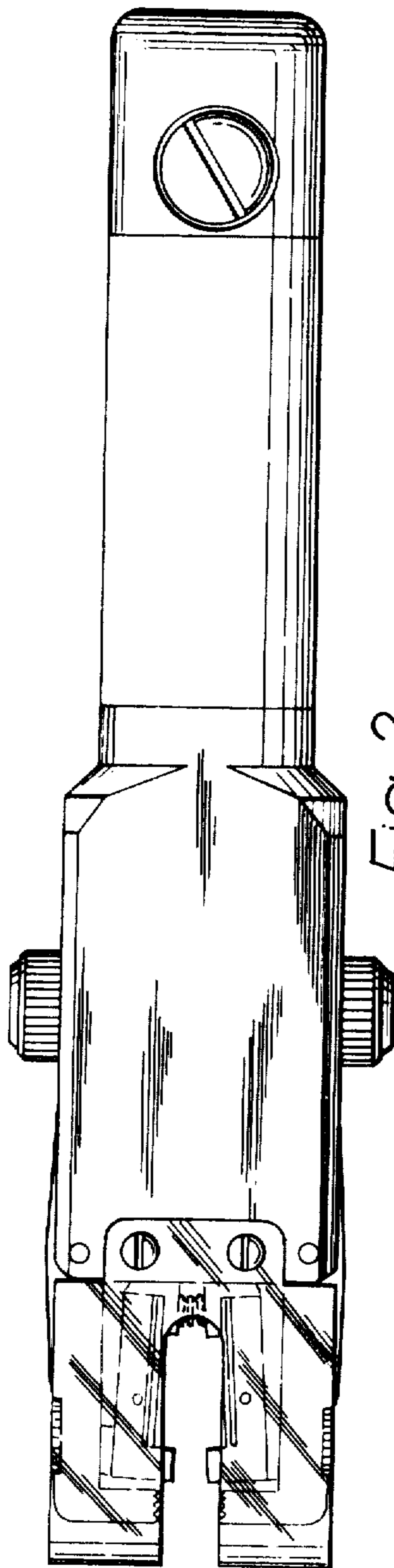


Fig. 2.

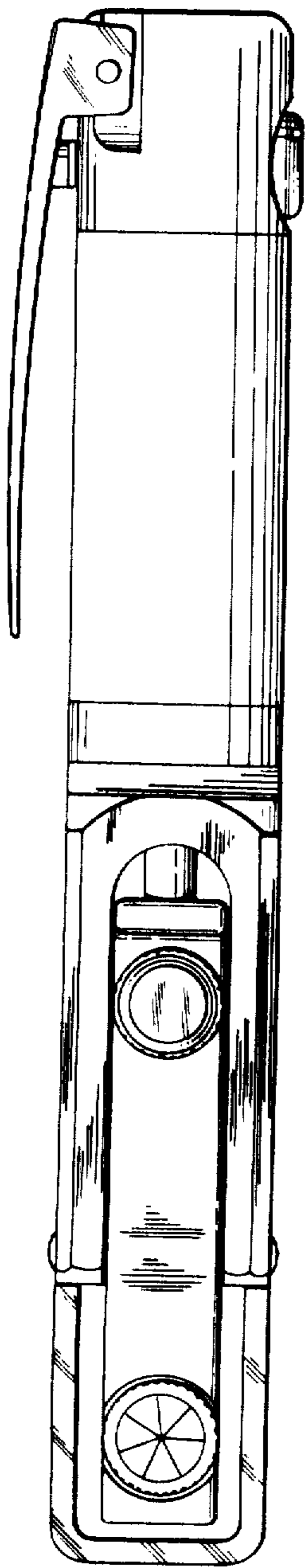


Fig. 3.

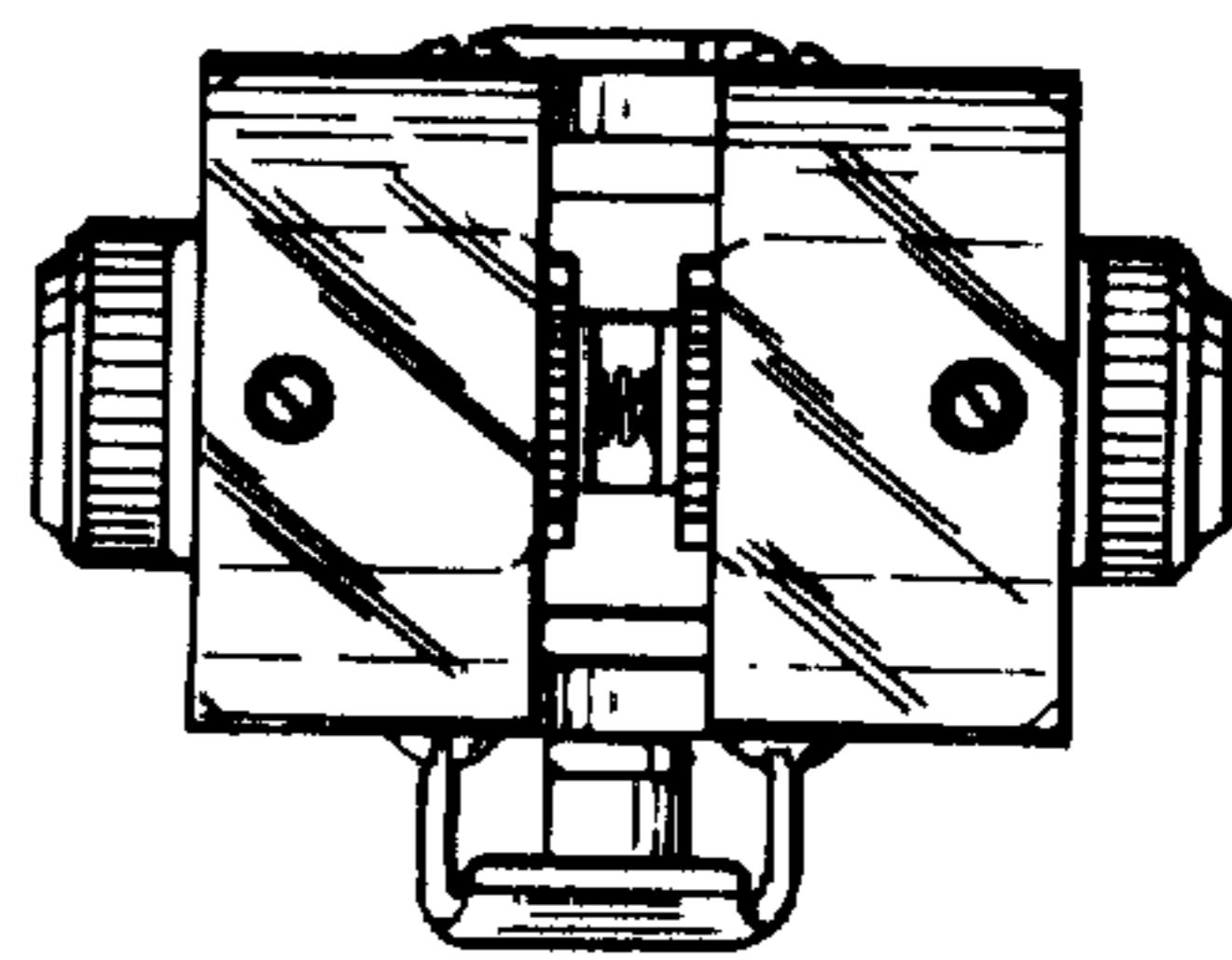


Fig. 4.

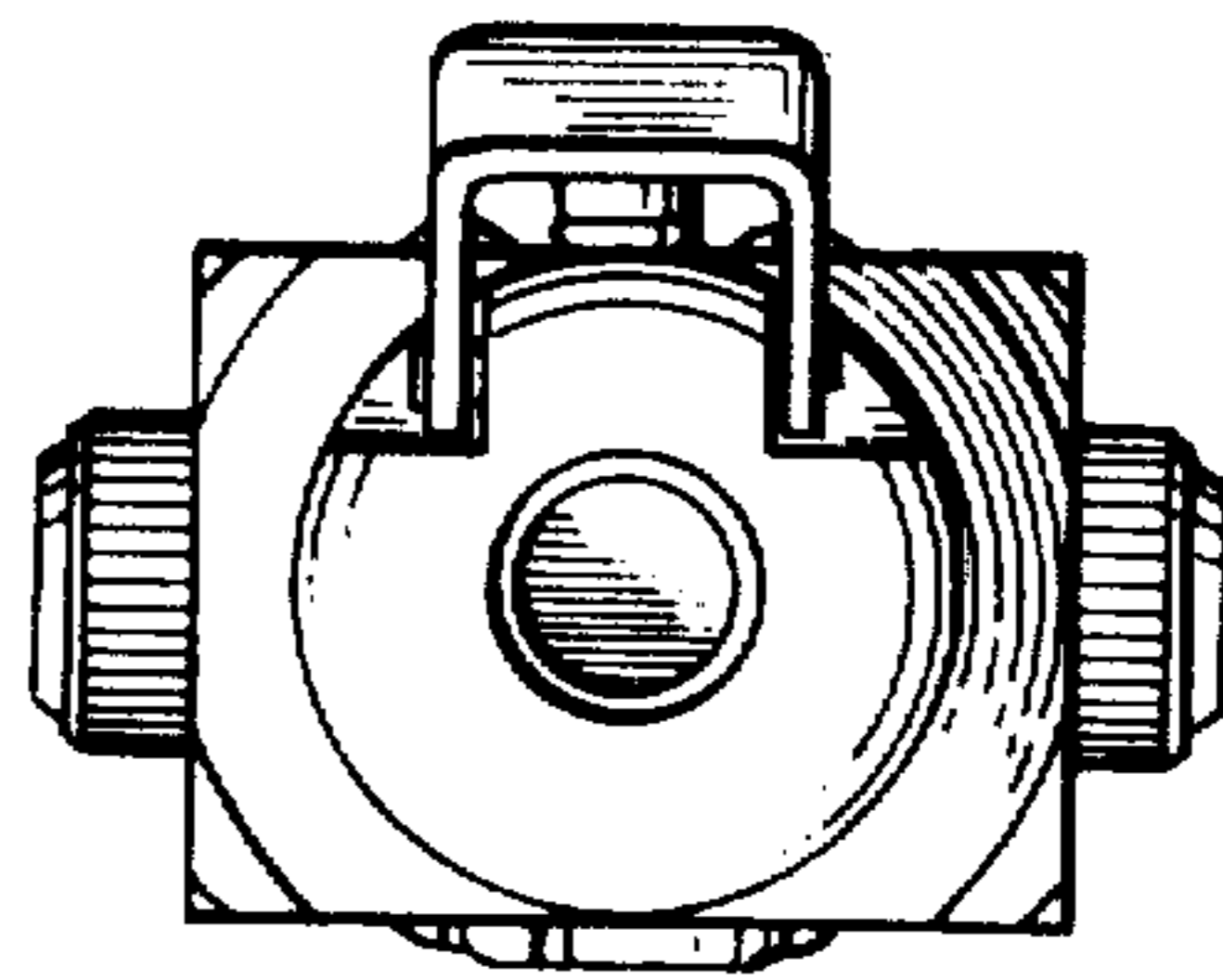


Fig. 5.