

[54] **DESK STAPLER**
 [75] Inventor: **Monte L. Levin**, New York, N.Y.
 [73] Assignee: **Swingline, Inc.**, Long Island, N.Y.
 [**] Term: **14 Years**
 [21] Appl. No.: **396,377**
 [44] Published under the second Trial Voluntary Protest Program on April 6, 1976 as document No. B 396,377.
 [22] Filed: **Sept. 12, 1973**
 [51] Int. Cl. **D19-02**
 [52] U.S. Cl. **D8/50**
 [58] Field of Search **D74/1 A; D8/49-50; 227/120**

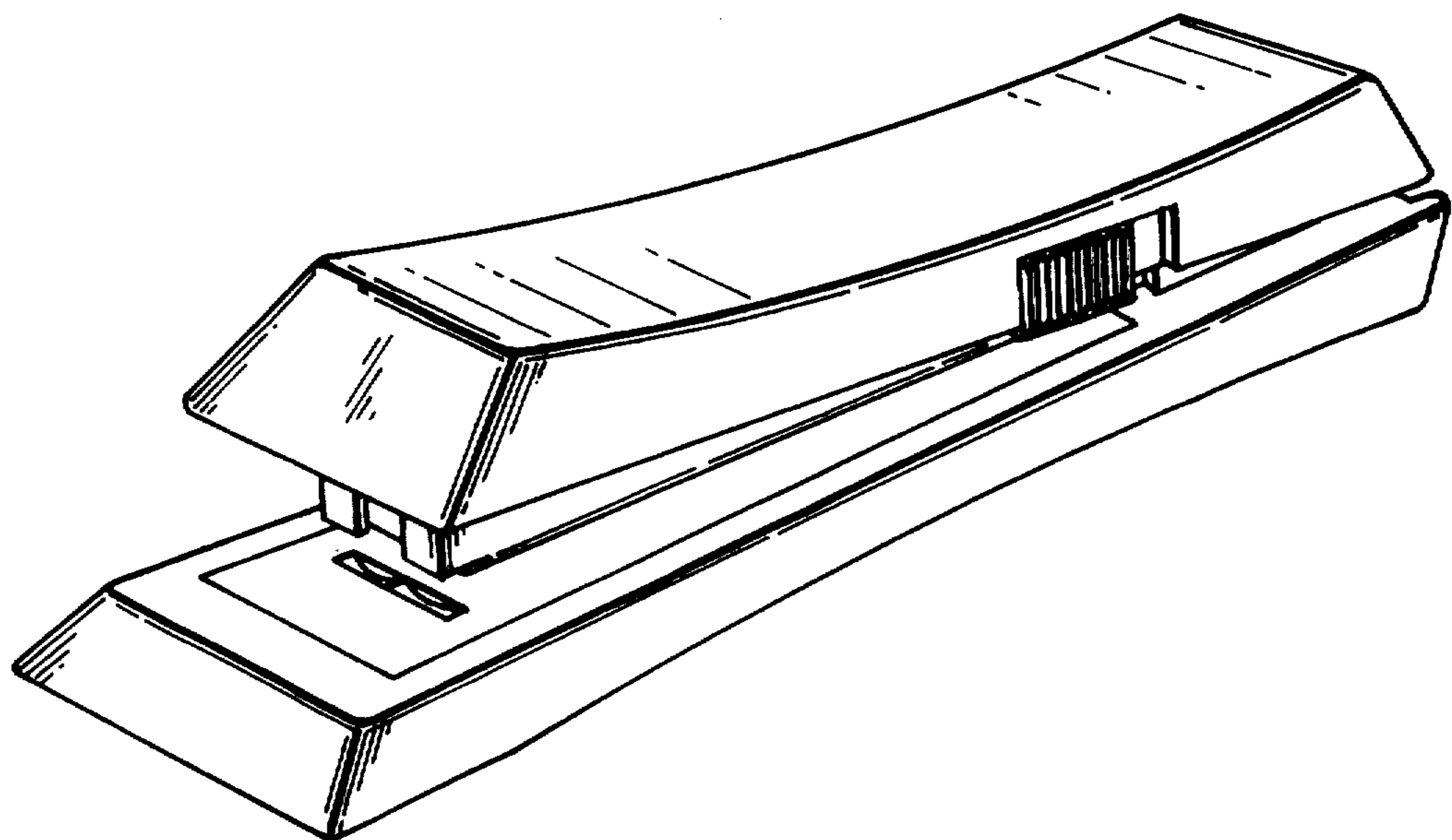
D. 186,201 9/1959 Rosenaren D8/50
 D. 187,627 4/1960 Kent D8/50

Primary Examiner—Joel Stearman
Assistant Examiner—George P. Word
Attorney, Agent, or Firm—Willis H. Taylor, Jr.

[56] **References Cited**
 U.S. PATENT DOCUMENTS
 D. 127,378 5/1941 Pankonin D8/50

[57] **CLAIM**
 The ornamental design for a desk stapler, substantially as shown and described.

DESCRIPTION
 FIG. 1 is a perspective view of a desk stapler showing my new design;
 FIG. 2 is a top plan view;
 FIG. 3 is a right side elevational view;
 FIG. 4 is a bottom plan view;
 FIG. 5 is a front elevational view; and
 FIG. 6 is a rear elevational view.



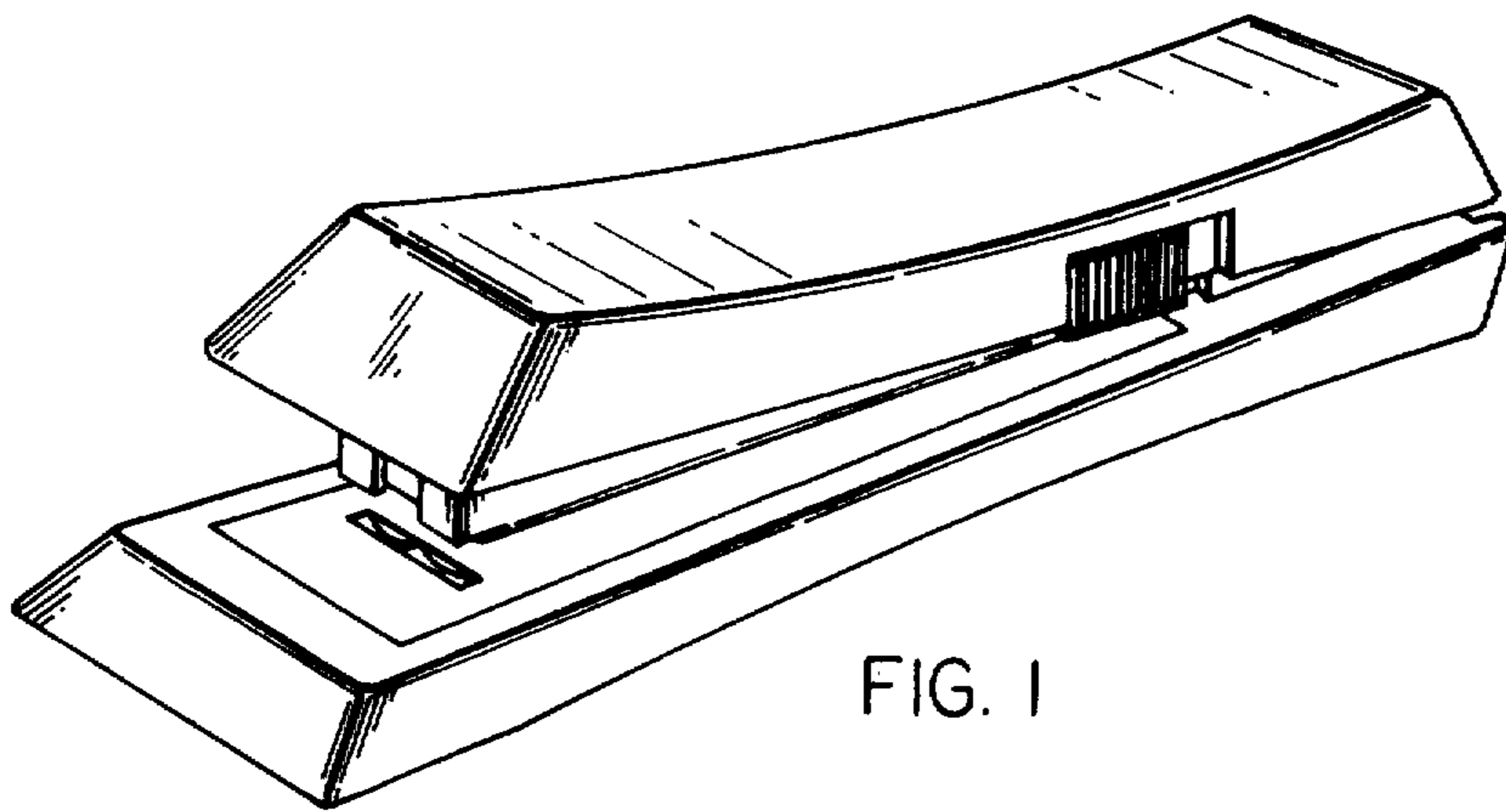


FIG. 1

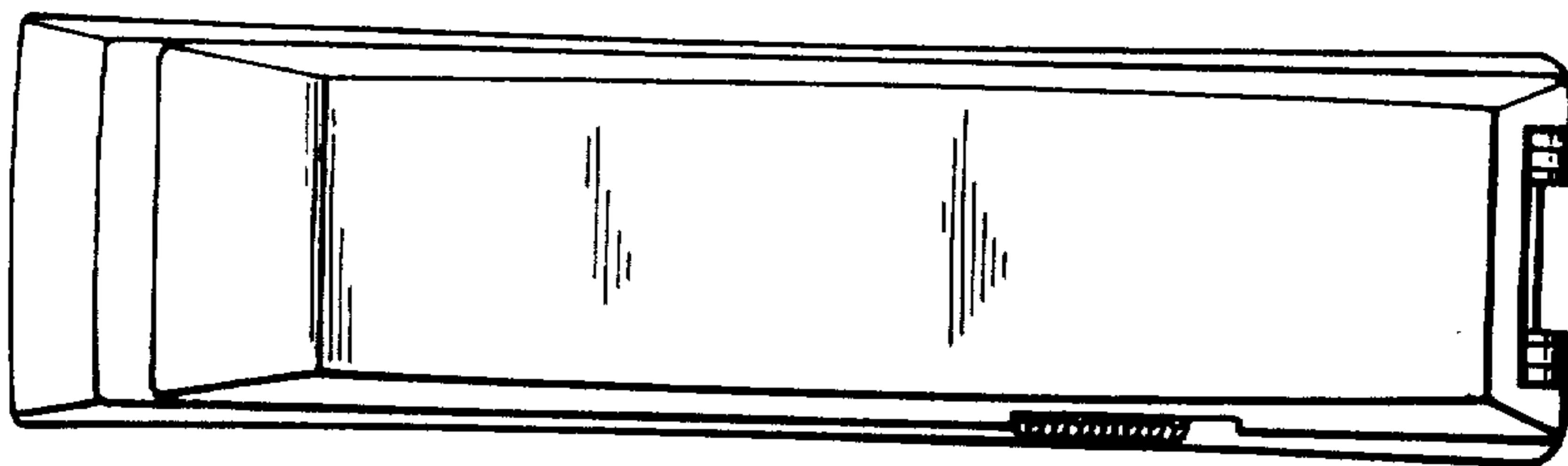


FIG. 2

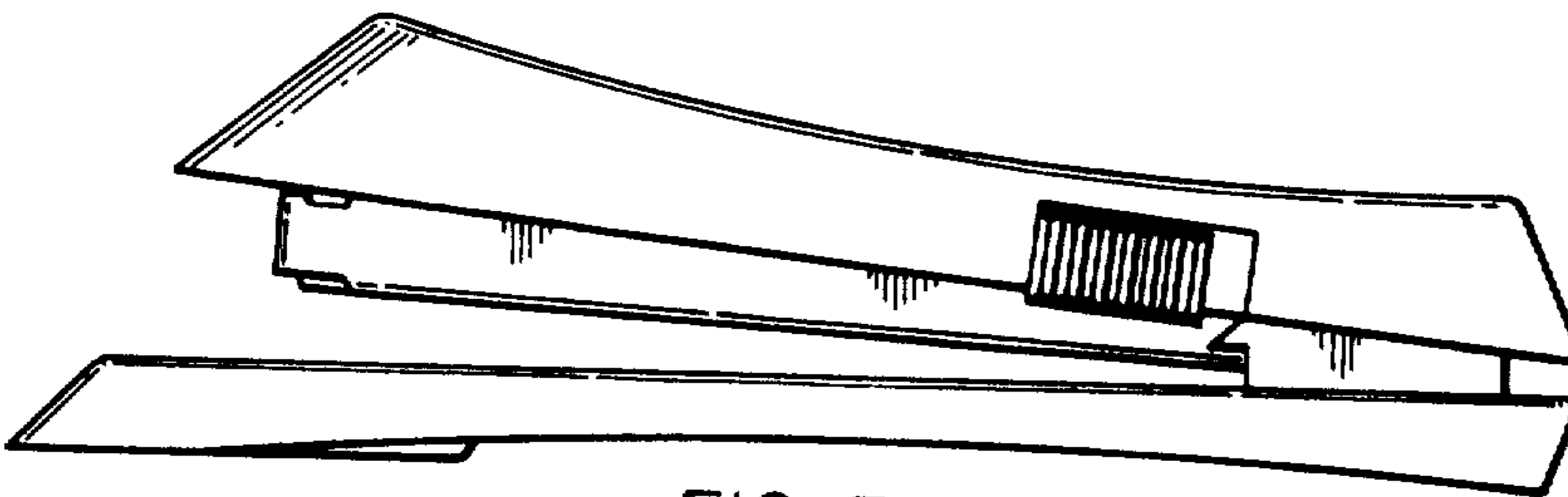


FIG. 3

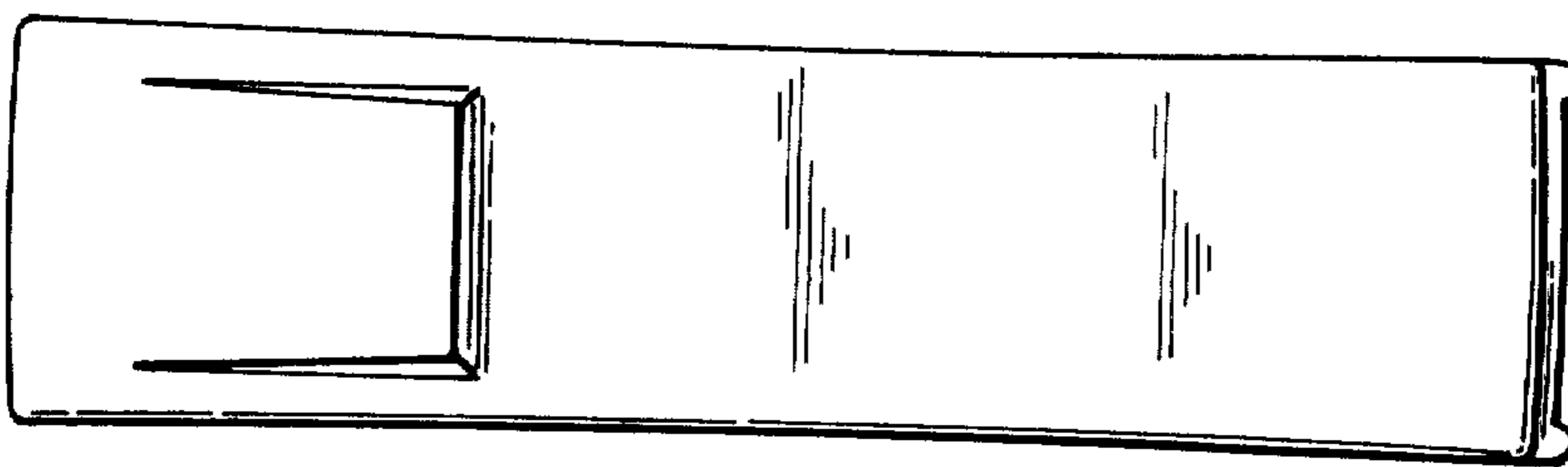


FIG. 4

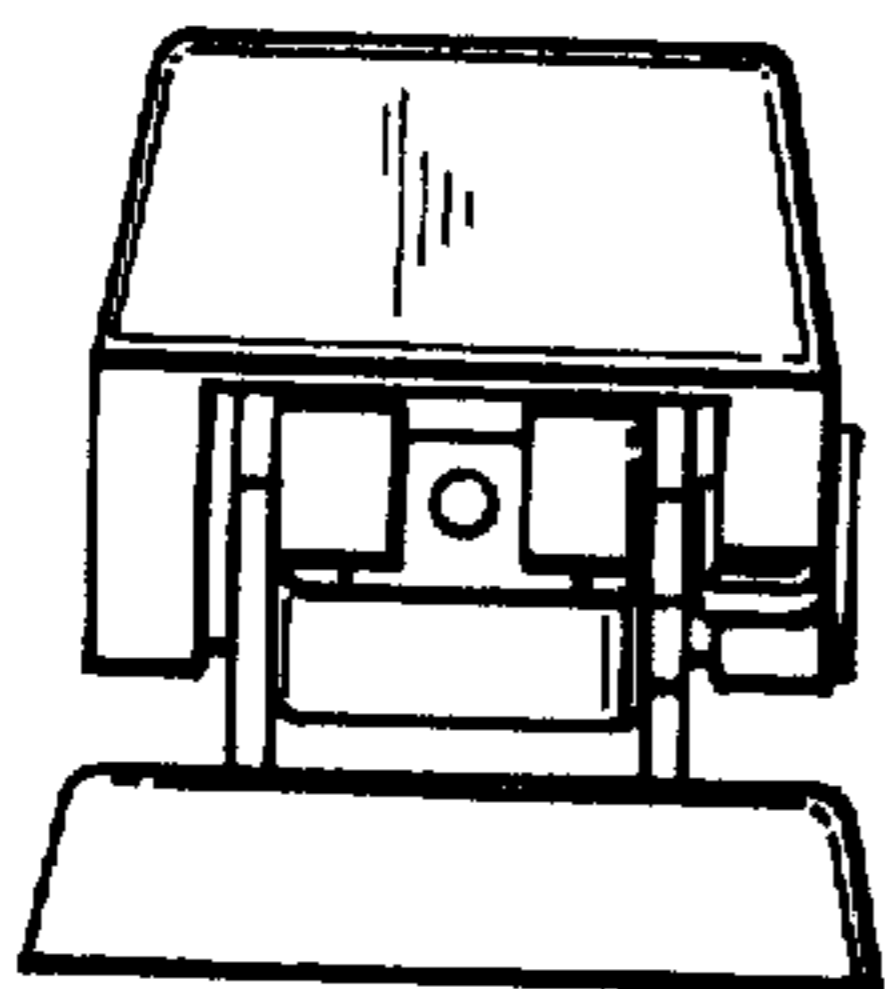


FIG. 5

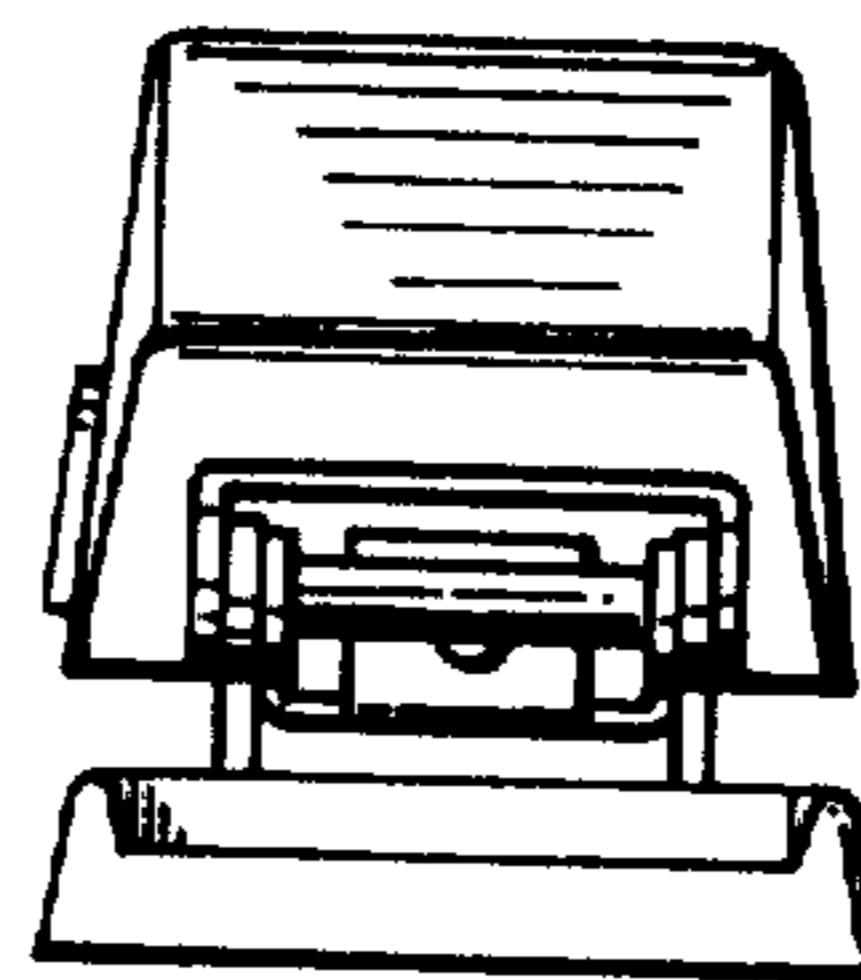


FIG. 6