

[54] GRILL

[75] Inventors: Louis J. Jenn; Thomas R. Field; Joseph J. Cerola, all of Indianapolis, Ind.

[73] Assignee: Jenn-Air Corporation, Indianapolis, Ind.

[**] Term: 14 Years

[21] Appl. No.: 589,035

[22] Filed: June 23, 1975

[51] Int. Cl. D7-05

[52] U.S. Cl. D7/110

[58] Field of Search D7/87-89, D7/111-136; 126/21 A, 21 R, 300; 99/325, 422, 444-446; 219/385, 440, 443, 445, 448, 451, 455, 457, 458-465, 526, 532, 520

[56]

References Cited

U.S. PATENT DOCUMENTS

2,211,940	8/1940	Stoner	126/21 A
3,384,068	5/1968	Perry et al.	126/21 A
3,732,803	5/1973	Buxmann	99/447 X
3,738,256	6/1973	Joeckel	99/446 X
3,832,990	9/1974	Trosch	126/41 R
3,842,726	10/1974	Fautz	99/25

Primary Examiner—Wallace R. Burke
Assistant Examiner—Catherine Kemper
Attorney, Agent, or Firm—Harold R. Woodard

[57]

CLAIM

The ornamental design for a grill, as shown and described.

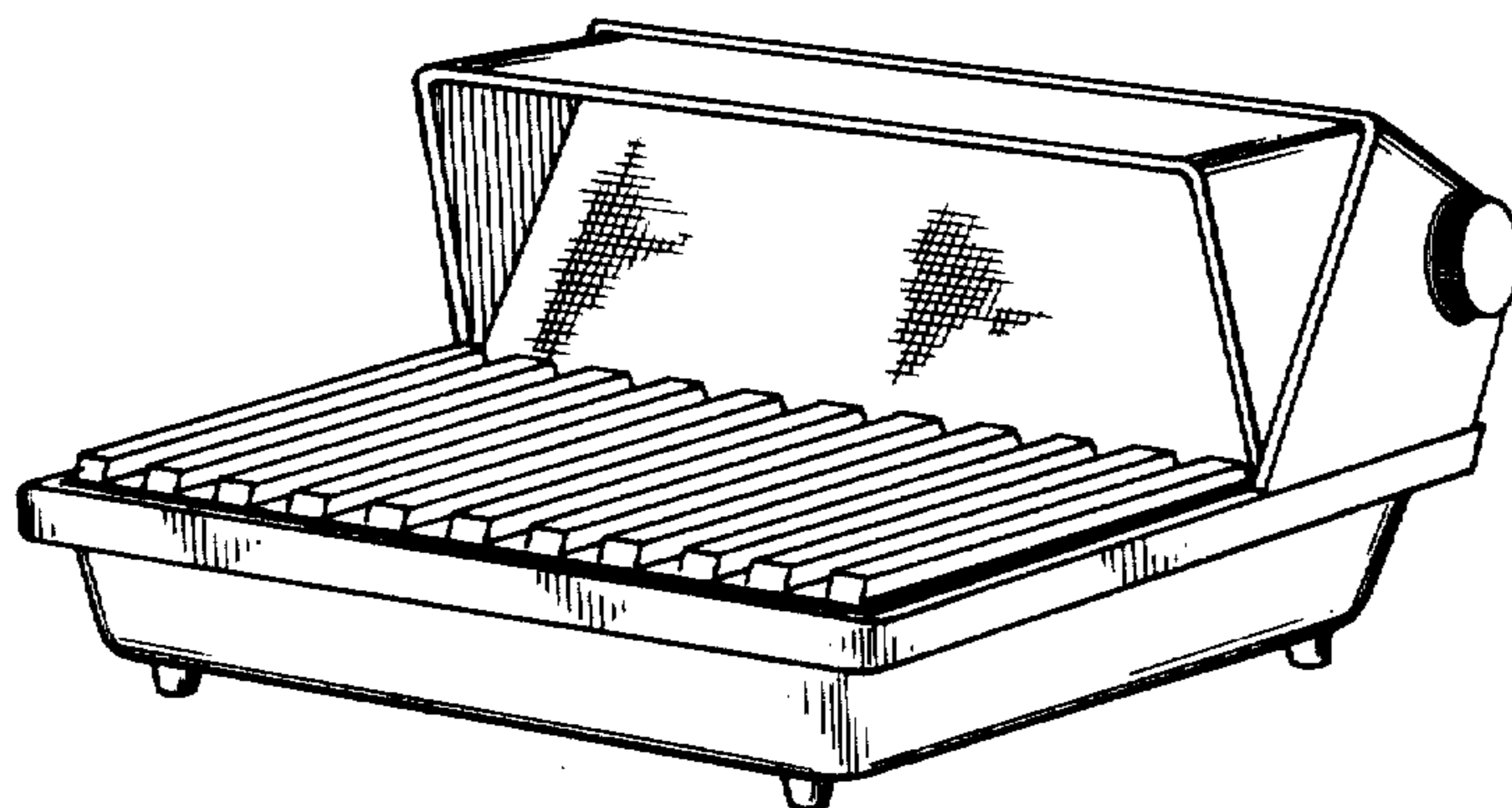
DESCRIPTION

FIG. 1 is a front perspective view of a grill, showing our new design.

FIG. 2 is a left perspective view thereof.

FIG. 3 is a left rear perspective view thereof.

FIG. 4 is a right rear perspective view thereof.



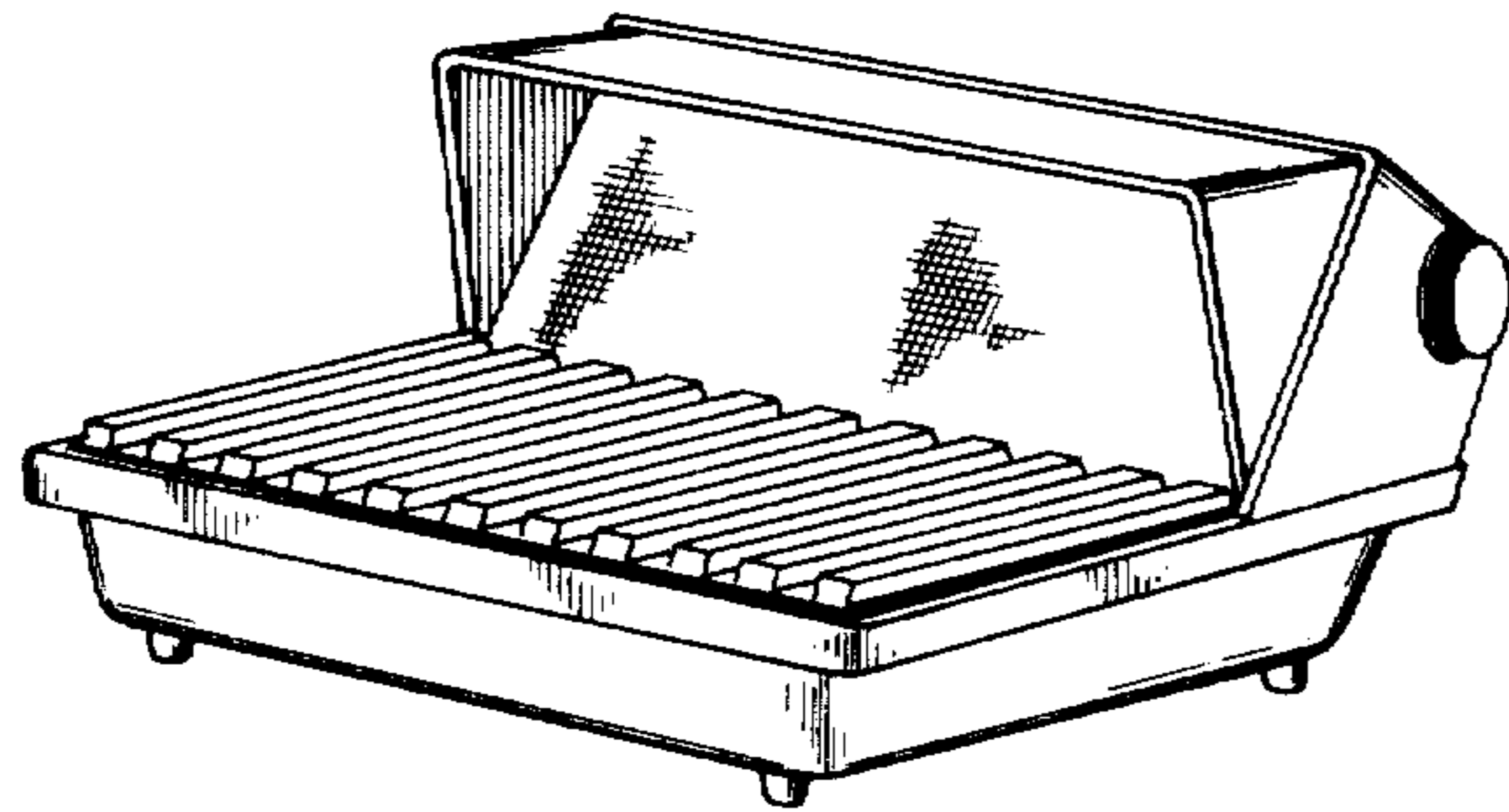


Fig. 1

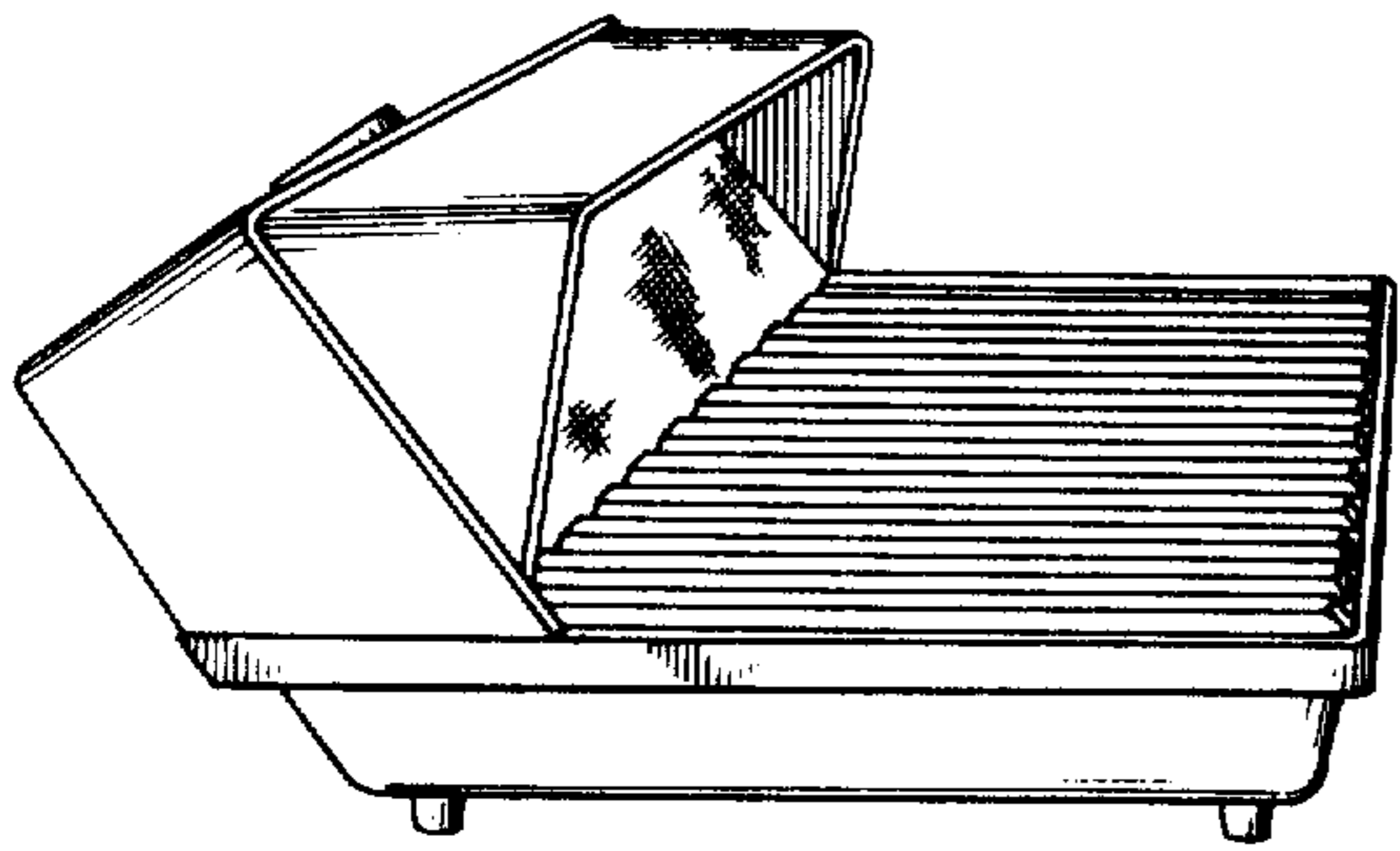


Fig. 2

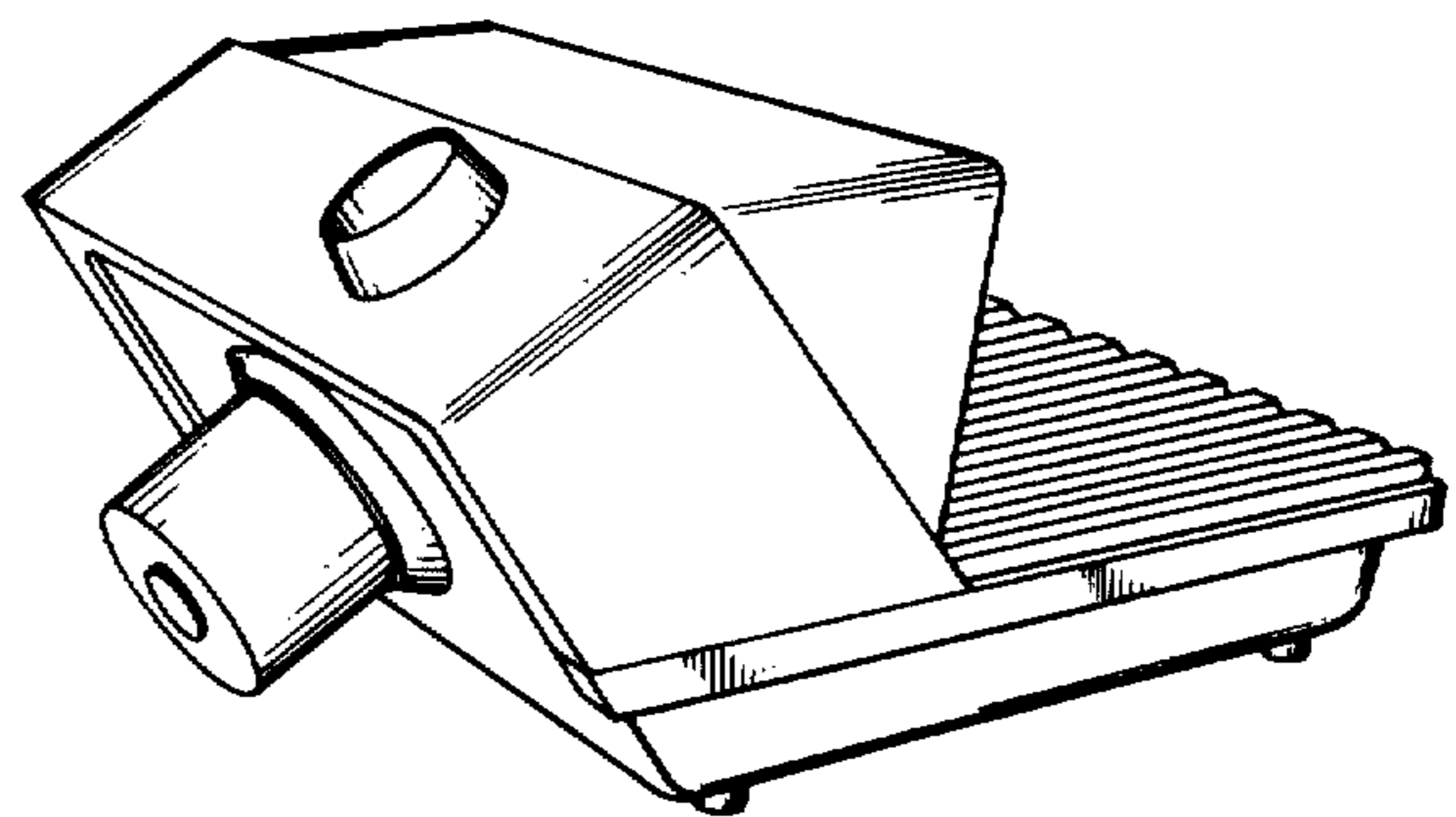


Fig. 3

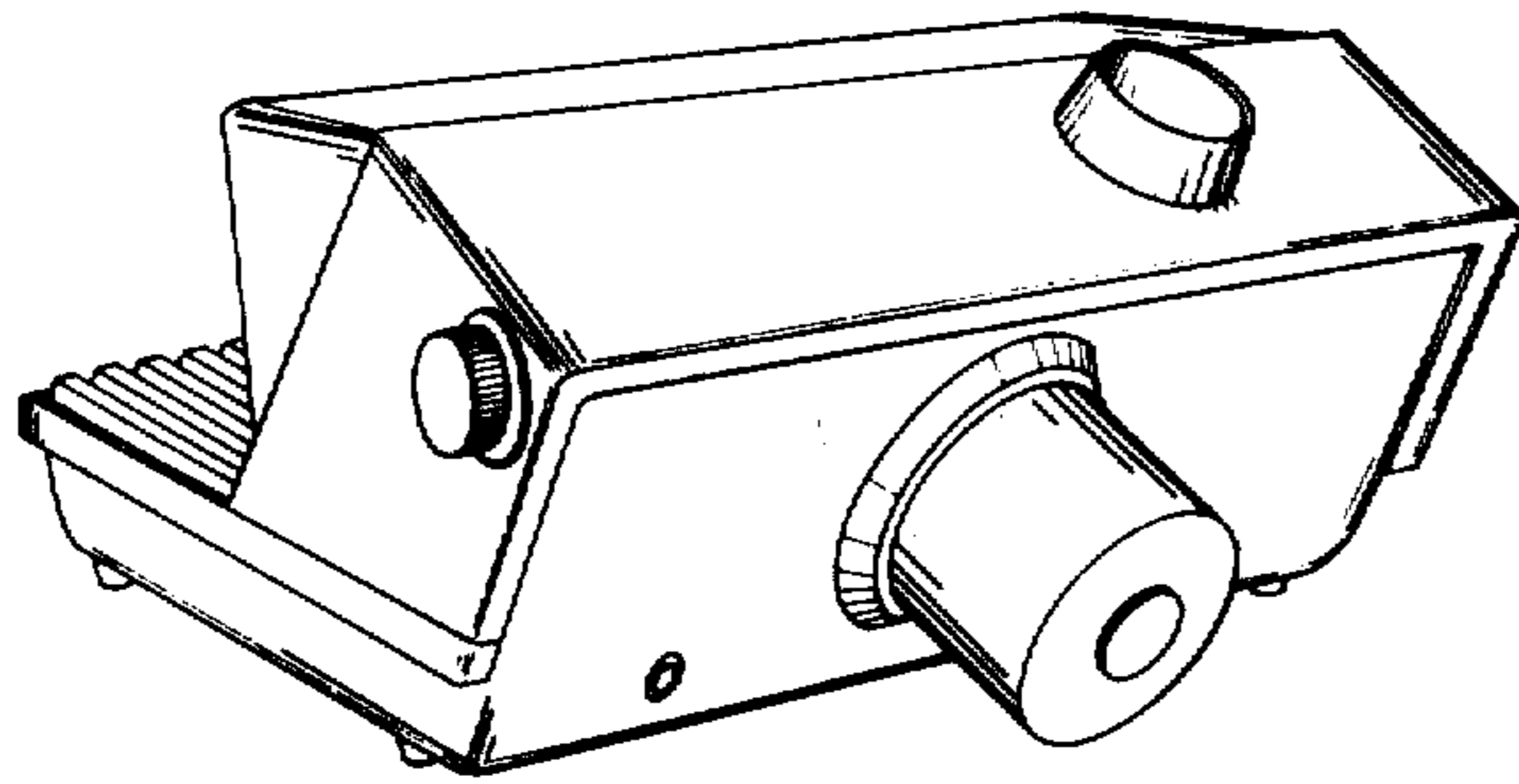


Fig. 4