

[54] COMBINED COASTER AND ASH TRAY

[76] Inventor: John F. Chmela, 1106 Beechwood Drive, Mount Prospect, Ill. 60056

[**] Term: 14 Years

[21] Appl. No.: 571,282

[22] Filed: Apr. 24, 1975

[51] Int. Cl. D7-06; D27-03

[52] U.S. Cl. D7/45

[58] Field of Search D7/38, 45, 71, 75, 76-78, D7/52, 55, 58; D87/1 R; D27/14, 21

[56] References Cited

U.S. PATENT DOCUMENTS

3,135,392	6/1964	Elkins	D7/38 X
D. 150,772	8/1948	Jahn	D7/38
D. 154,468	7/1949	Foulke	D7/71
D. 169,041	3/1953	Johnson	D7/71 X

D. 178,586	8/1956	Vivian	D7/45
D. 179,410	12/1956	Burke	D7/45

Primary Examiner—Winifred E. Herrmann
Attorney, Agent, or Firm—Jack E. Dominik

[57] CLAIM

The ornamental design for a combined coaster and ash tray, substantially as shown and described.

DESCRIPTION

FIG. 1 is a top perspective view of a combined coaster and ash tray showing my new design; FIG. 2 is a top plan view thereof; FIG. 3 is a front elevation view thereof; FIG. 4 is a left elevation view thereof; and FIG. 5 is a right elevation view thereof. The back rear and bottom of the design are unornamented.

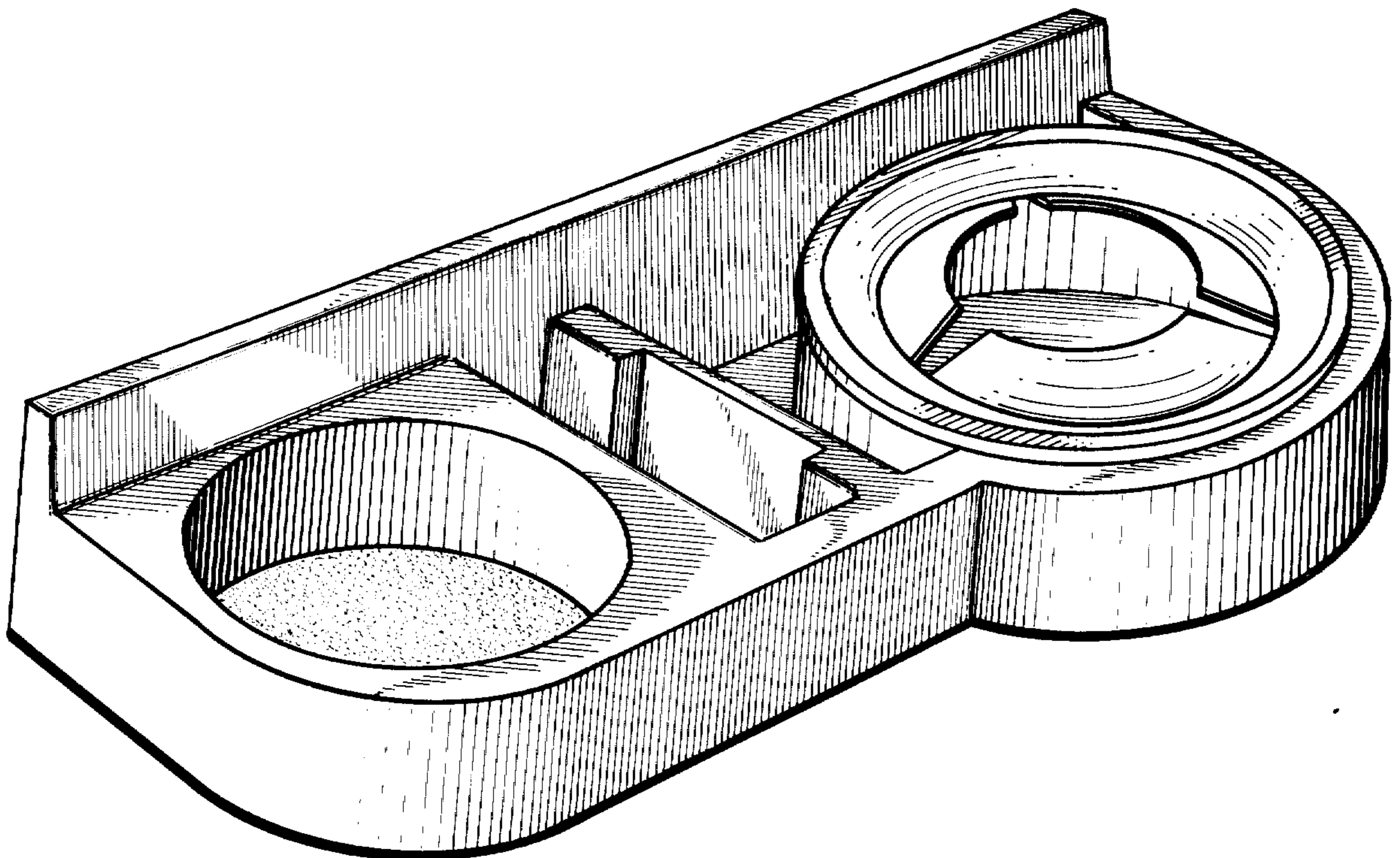


FIG. 1

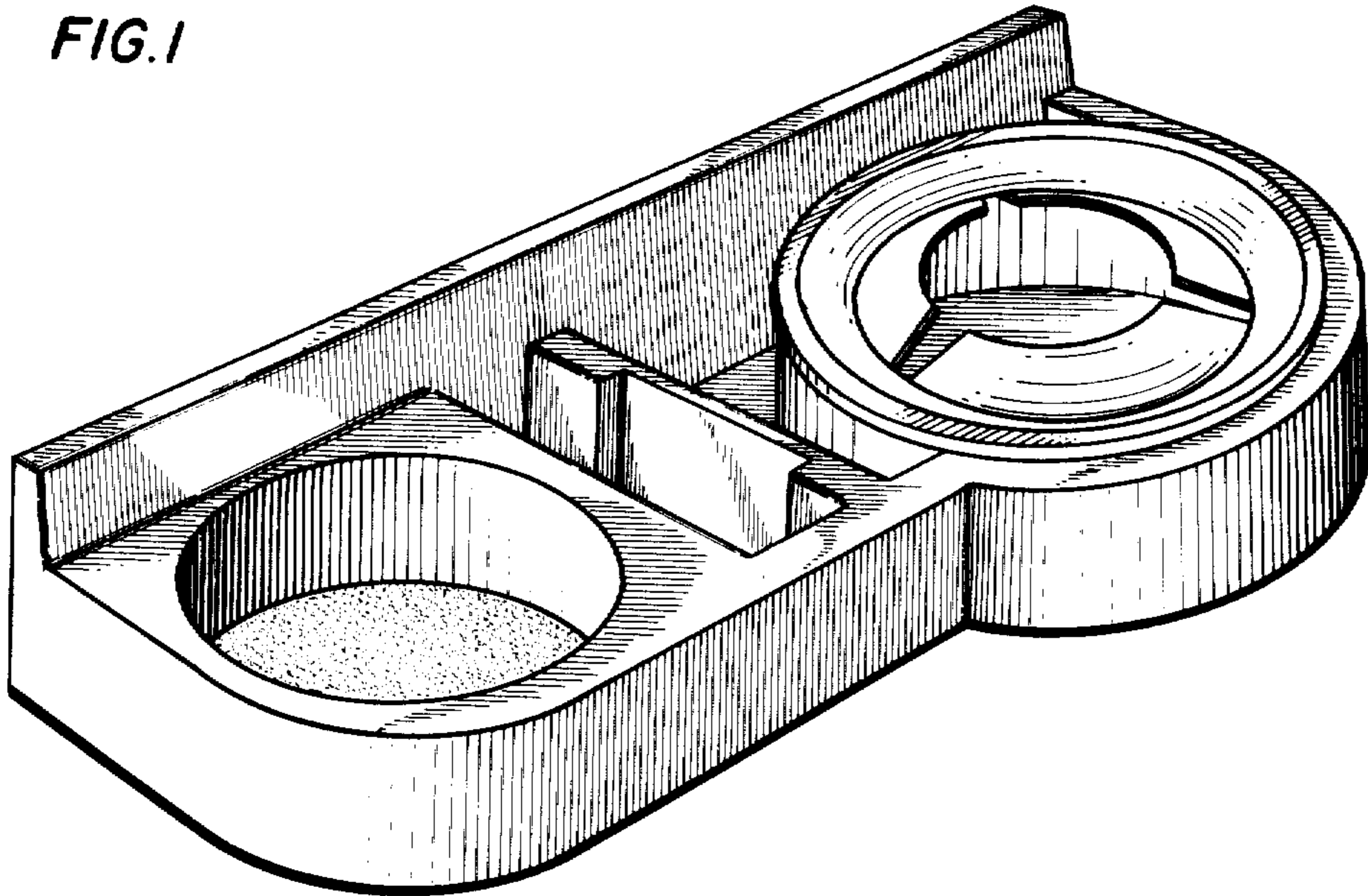


FIG. 2

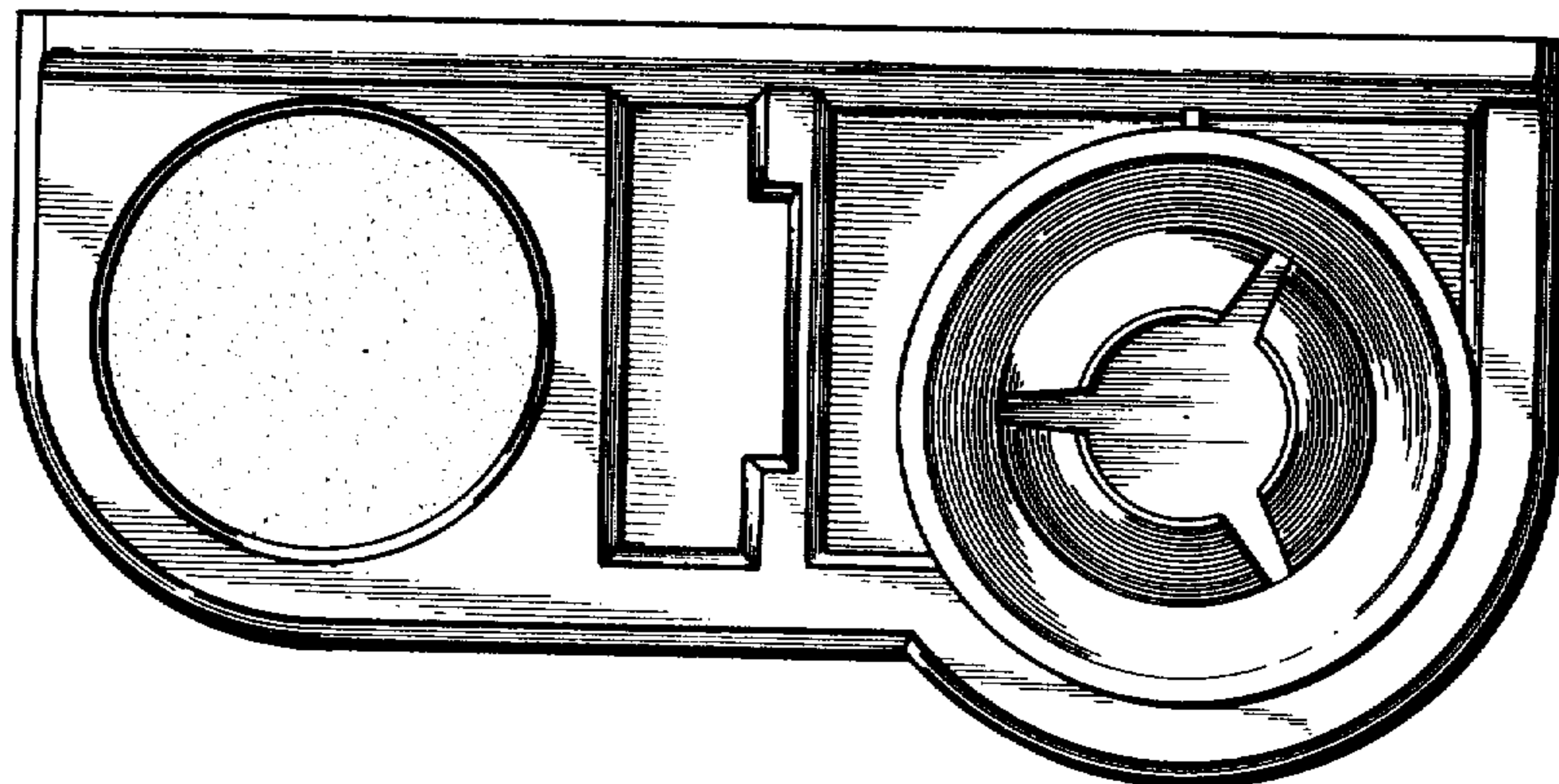


FIG. 3

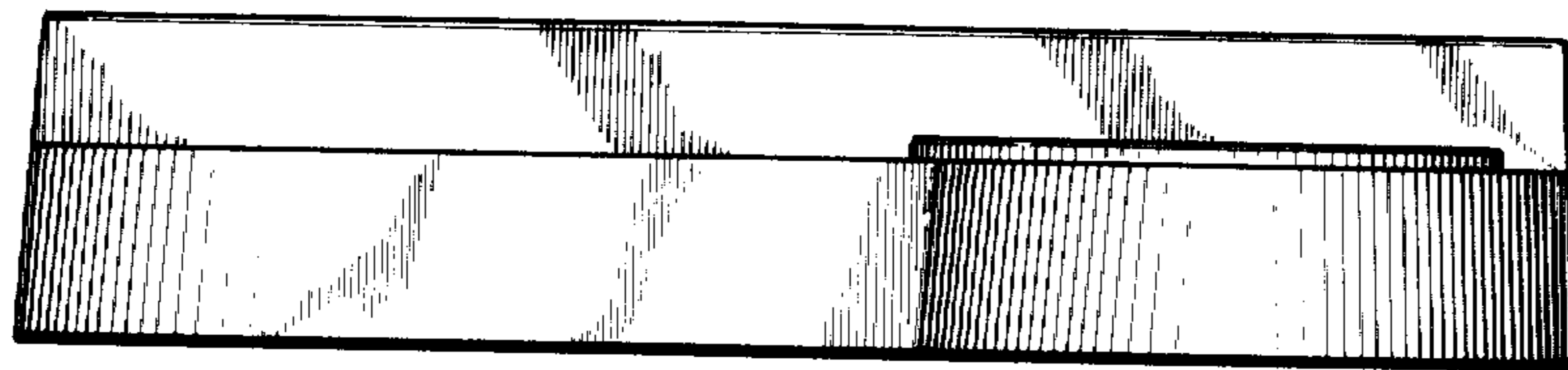


FIG. 4

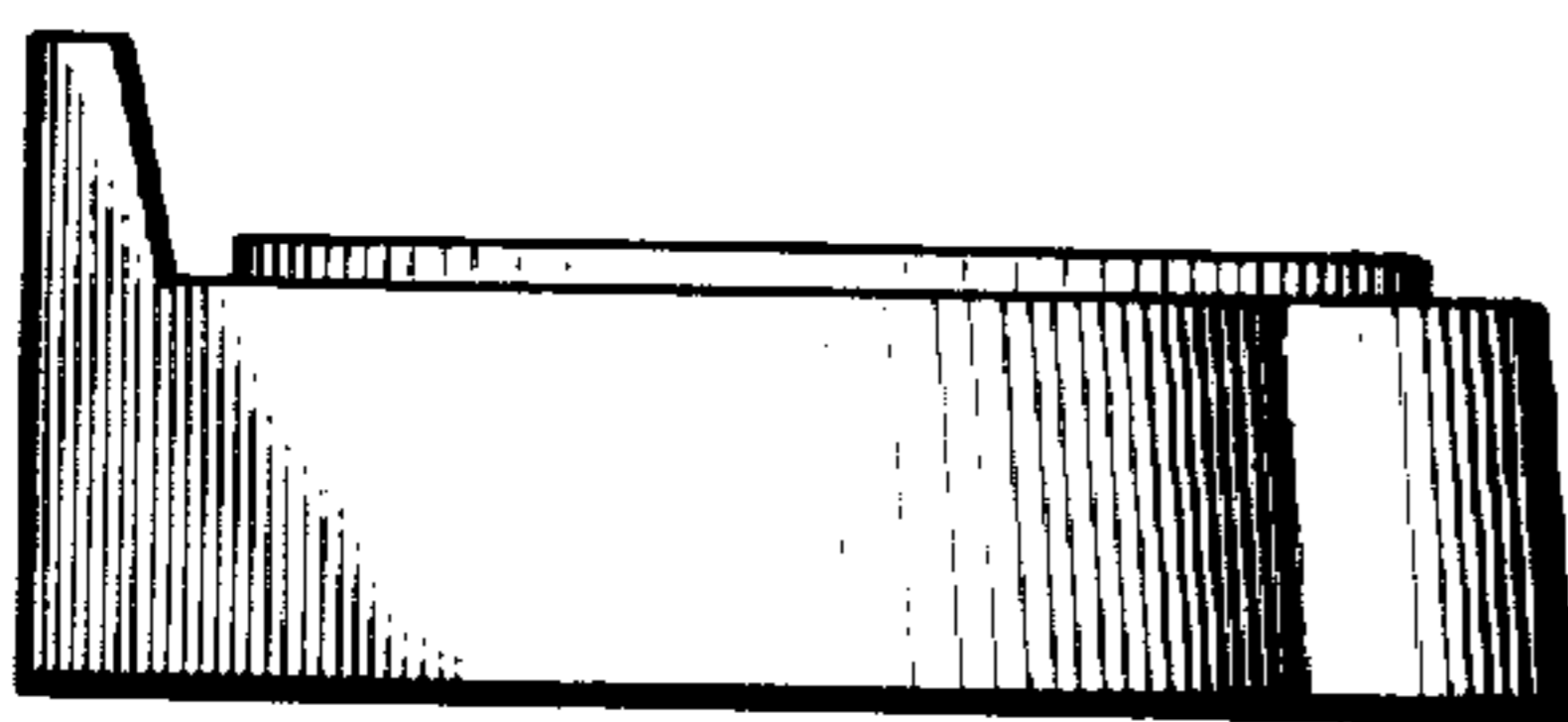


FIG. 5

