

[54] GARMENT HANGER

[75] Inventor: Herb Coon, New York, N.Y.

[73] Assignee: Red Wing Products, Inc., New Hyde Park, N.Y.

[**] Term: 14 Years

[21] Appl. No.: 639,702

[22] Filed: Dec. 11, 1975

[51] Int. Cl. D6-08

[52] U.S. Cl. D6/253

[58] Field of Search D6/113, 247-256; 211/113; 248/317, 318; 223/85, 87-96, 98, DIG. 1, DIG. 3, DIG. 4

[56] References Cited

U.S. PATENT DOCUMENTS

1,795,622	3/1931	Taylor et al.	223/96
2,423,961	7/1947	Buxton	223/95
3,487,984	1/1970	Loscalzo	D6/252
3,946,915	3/1976	Crane	223/96

FOREIGN PATENT DOCUMENTS

854,568 10/1970 Canada 223/91

Primary Examiner—Wallace R. Burke
Assistant Examiner—B. J. Bullock
Attorney, Agent, or Firm—William J. Ungvarsky

[57] CLAIM

The ornamental design for a garment hanger, as shown and described.

DESCRIPTION

FIG. 1 is a front elevational view of a garment hanger showing my new design;
FIG. 2 is a top plan view thereof;
FIG. 3 is a rear elevational view thereof;
FIG. 4 is a side elevational view taken from the left of FIG. 1;
FIG. 5 is an enlarged fragmentary perspective view taken from the left of FIG. 1.

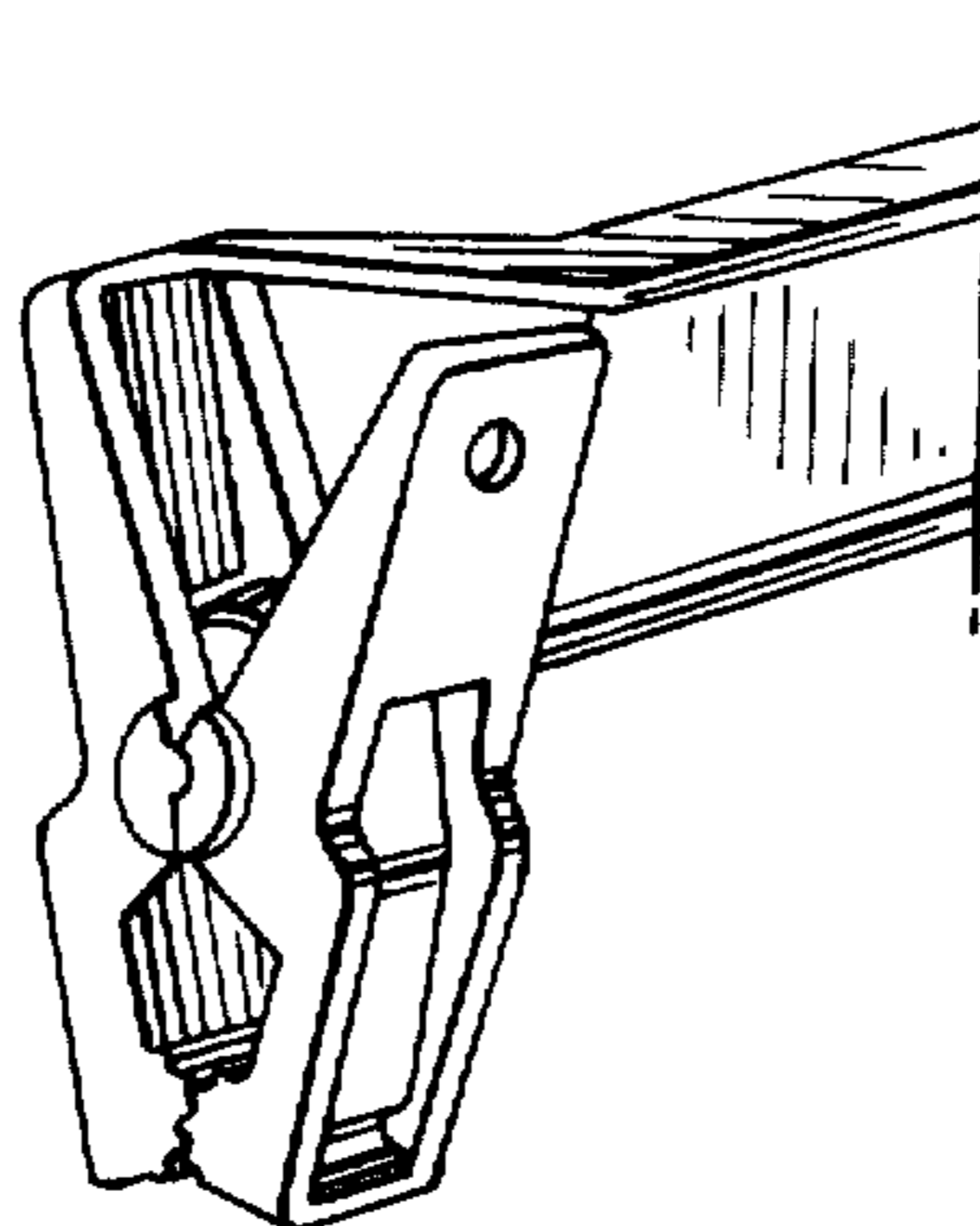
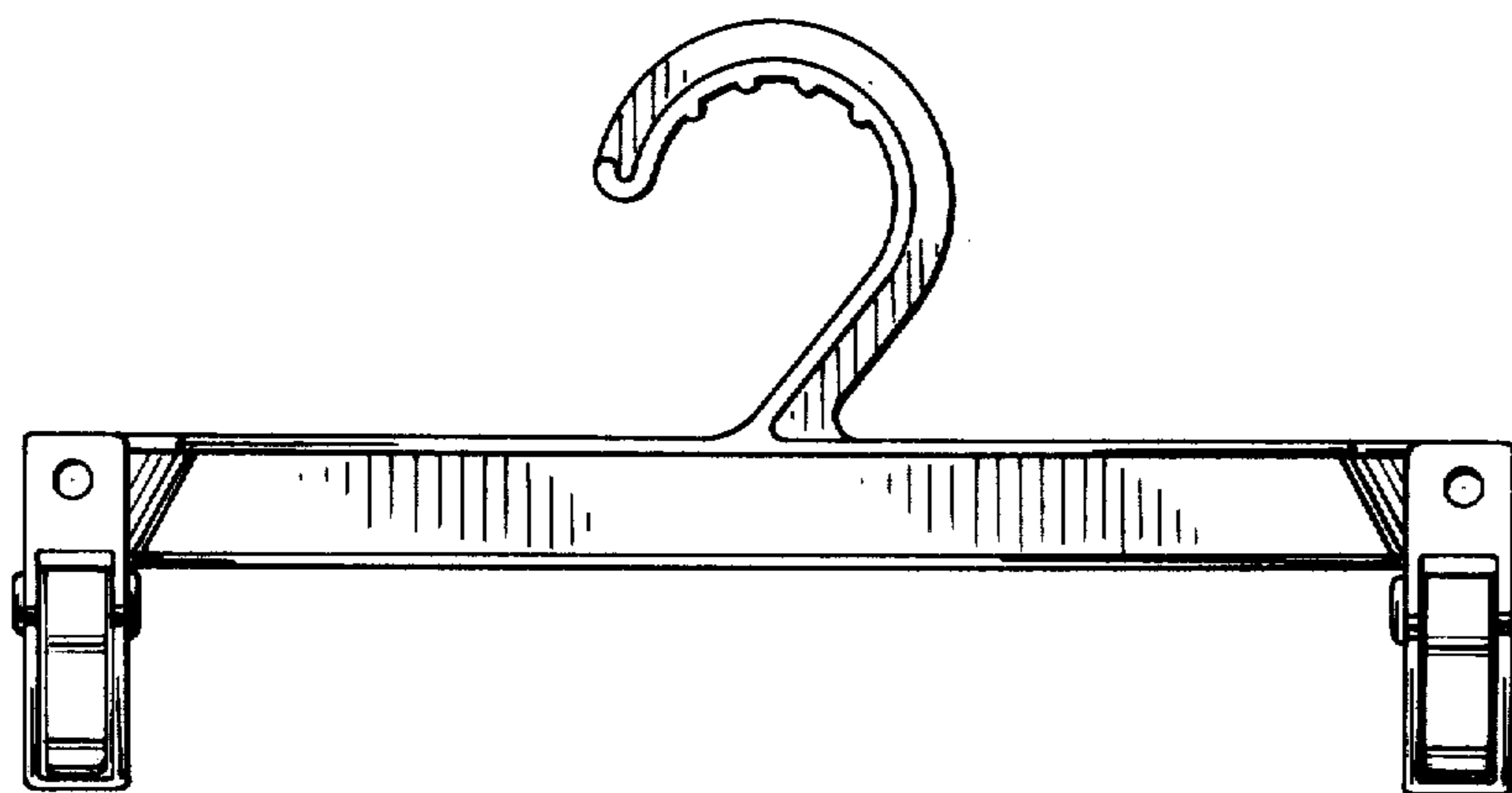


Fig. 1.

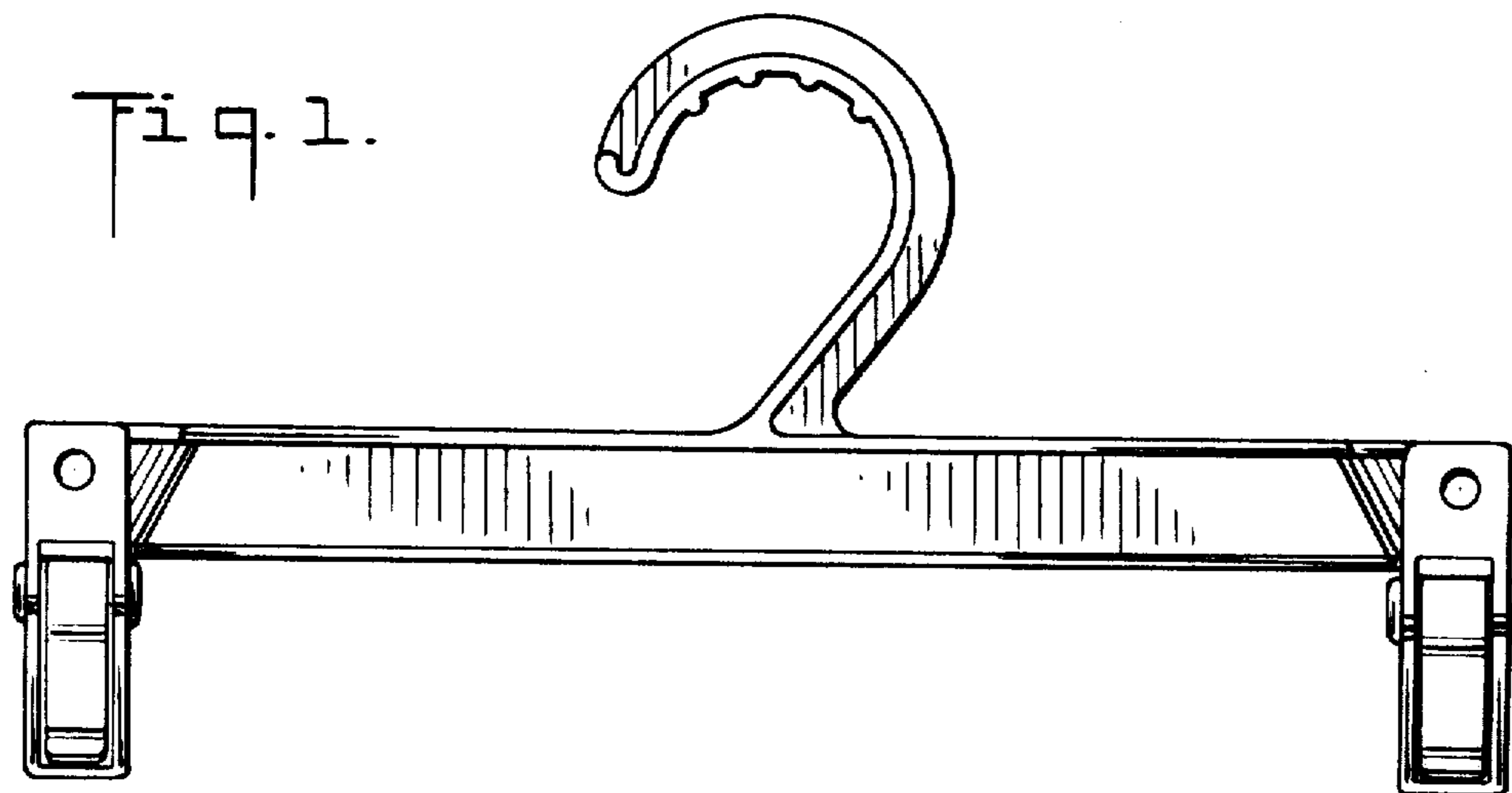


Fig. 2.

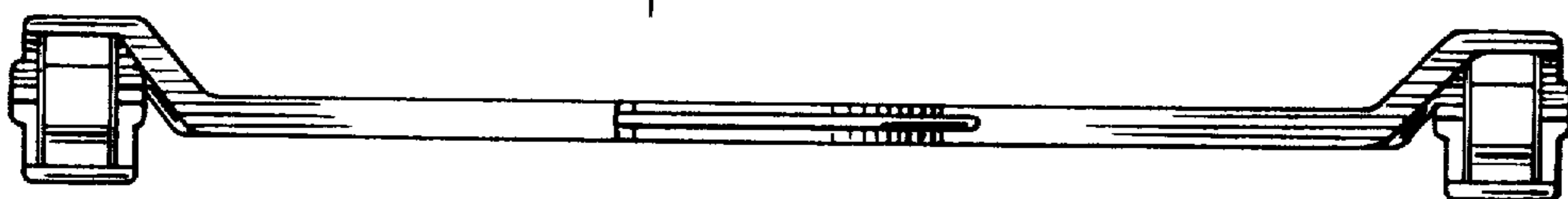


Fig. 3.

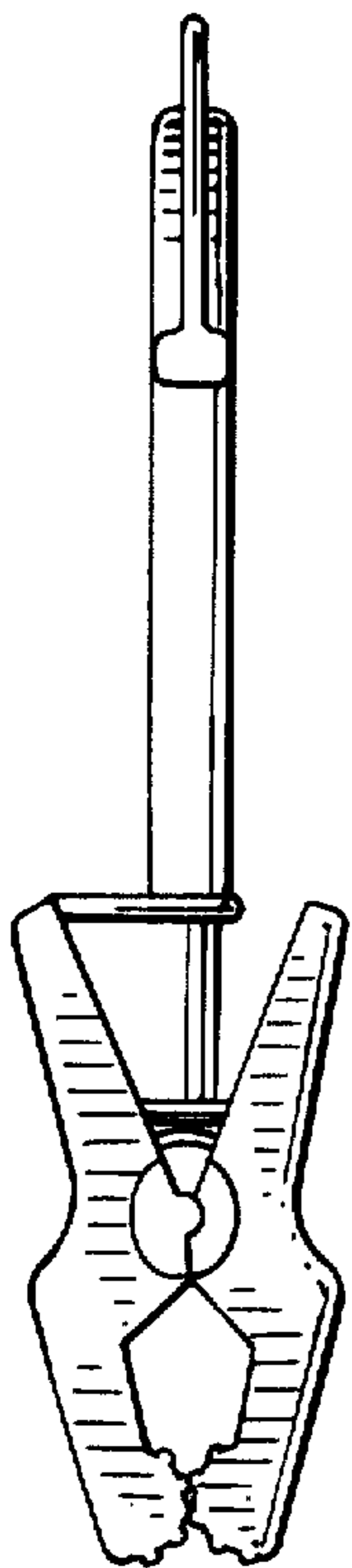
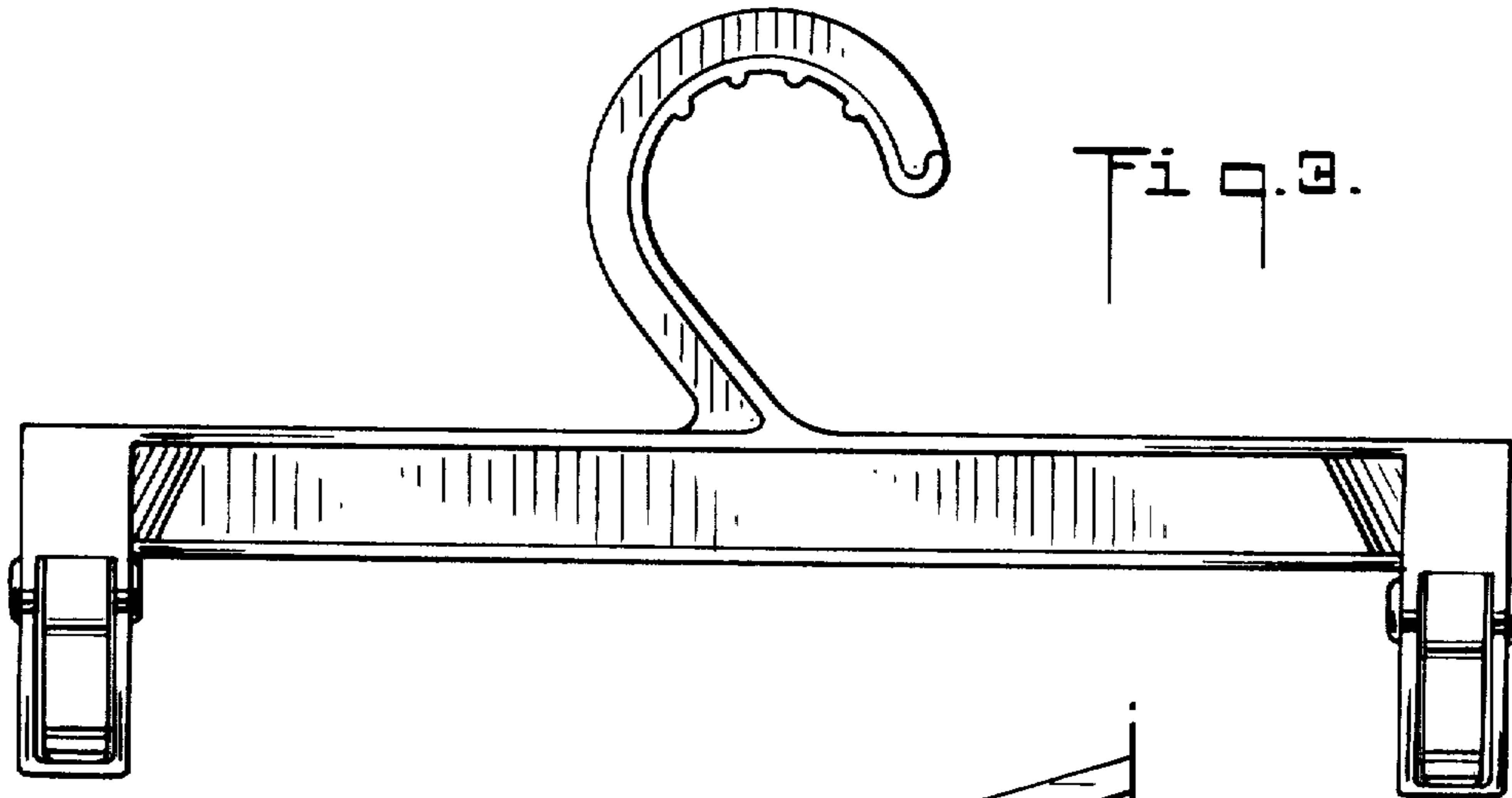


Fig. 4.

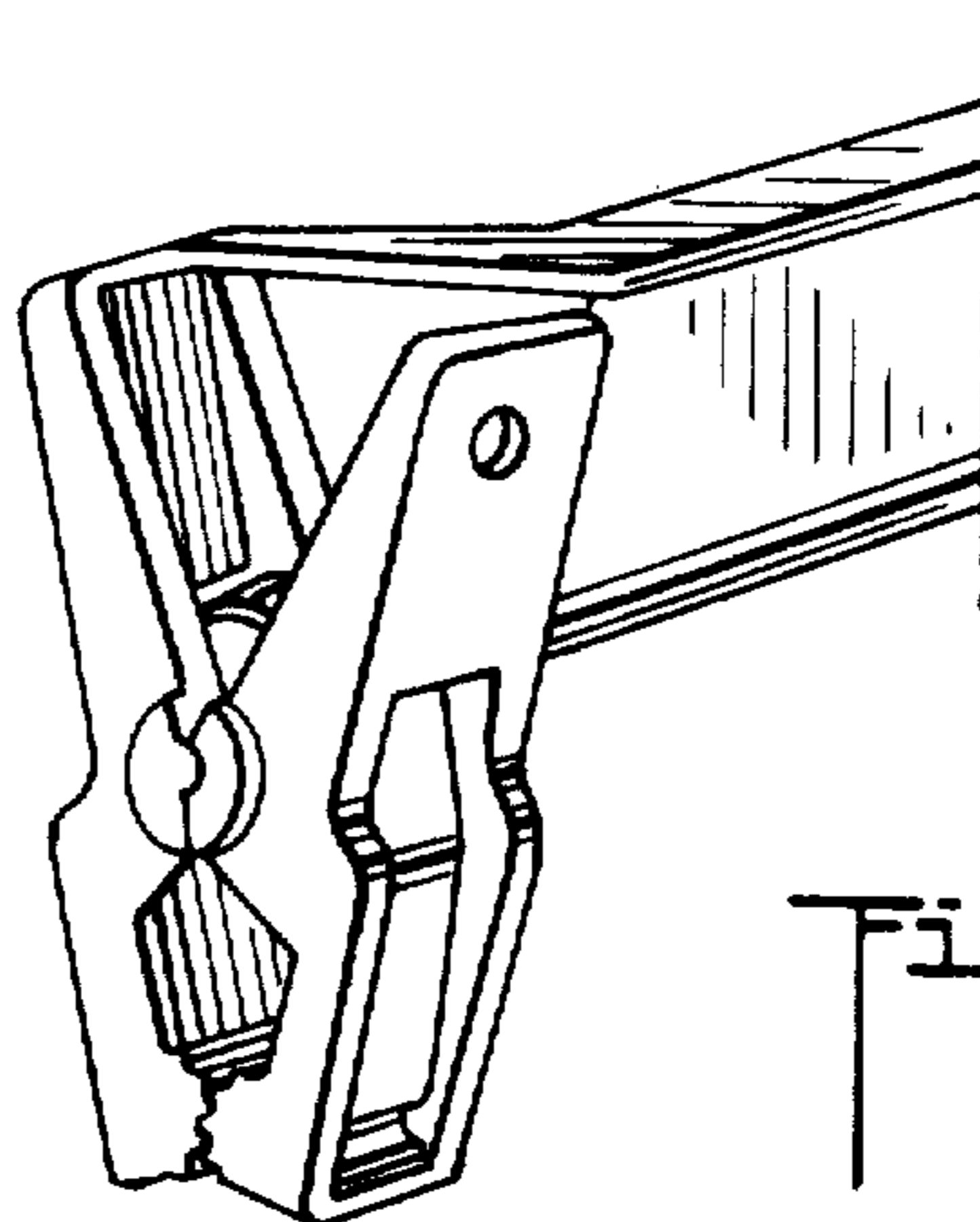


Fig. 5.