

[54] COMBINED SHELVES AND TOWEL RACK

[76] Inventor: Jerry A. Brown, 4014 San Jose Drive, Greenwood, Ind. 46142

[\*\*] Term: 14 Years

[21] Appl. No.: 656,132

[22] Filed: Feb. 9, 1976

[51] Int. Cl. .... D6-04; D23-02

[52] U.S. Cl. .... D6/136

[58] Field of Search ..... D6/85, 99, 114, 132-136, D6/181-184, 191, 186, 199; 211/16, 88, 90, 128, 134, 135; 108/42, 48, 47, 92, 23, 152

[56] References Cited

U.S. PATENT DOCUMENTS

D. 119,760	4/1940	Kopp	.....	D6/132
D. 138,992	10/1944	Daum	.....	D6/134
D. 143,595	1/1946	Johnson	.....	D6/99
D. 161,128	12/1950	Rubin	.....	D6/134
D. 162,270	2/1951	Wolff	.....	D6/134

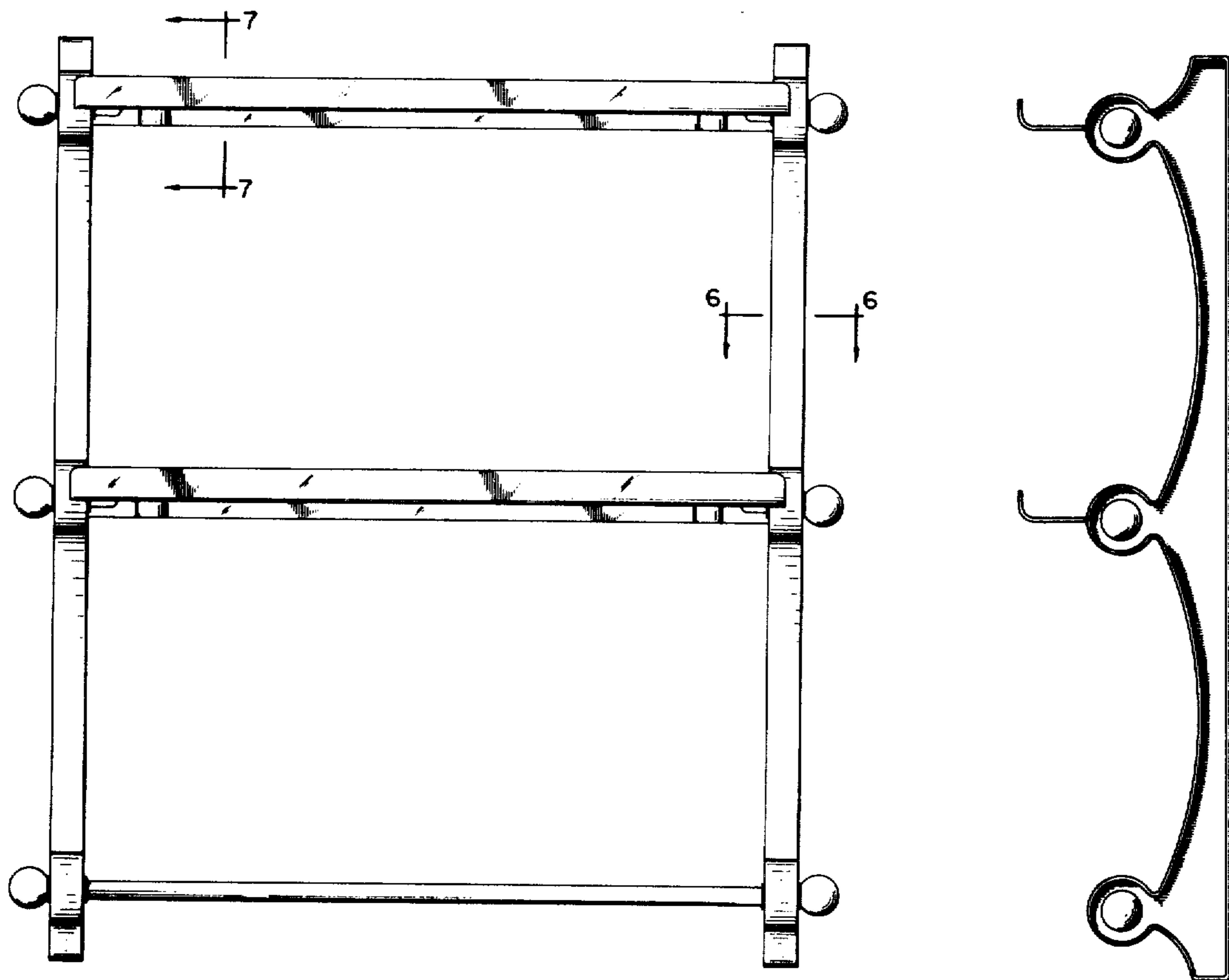
Primary Examiner—Wallace R. Burke  
Assistant Examiner—B. J. Bullock  
Attorney, Agent, or Firm—Harold R. Woodard

[57] CLAIM

The ornamental design for a combined shelves and towel rack, as shown and described.

DESCRIPTION

FIG. 1 is a front elevational view of the combined shelves and towel rack showing my new design;  
FIG. 2 is a top plan view thereof;  
FIG. 3 is a rear elevational view thereof;  
FIG. 4 is a bottom plan view thereof;  
FIG. 5 is a side elevational view, the side opposite being a mirror image thereof;  
FIG. 6 is an enlarged sectional view taken on line 6—6 of FIG. 1;  
FIG. 7 is a fragmentary sectional view taken on line 7—7 of FIG. 1.



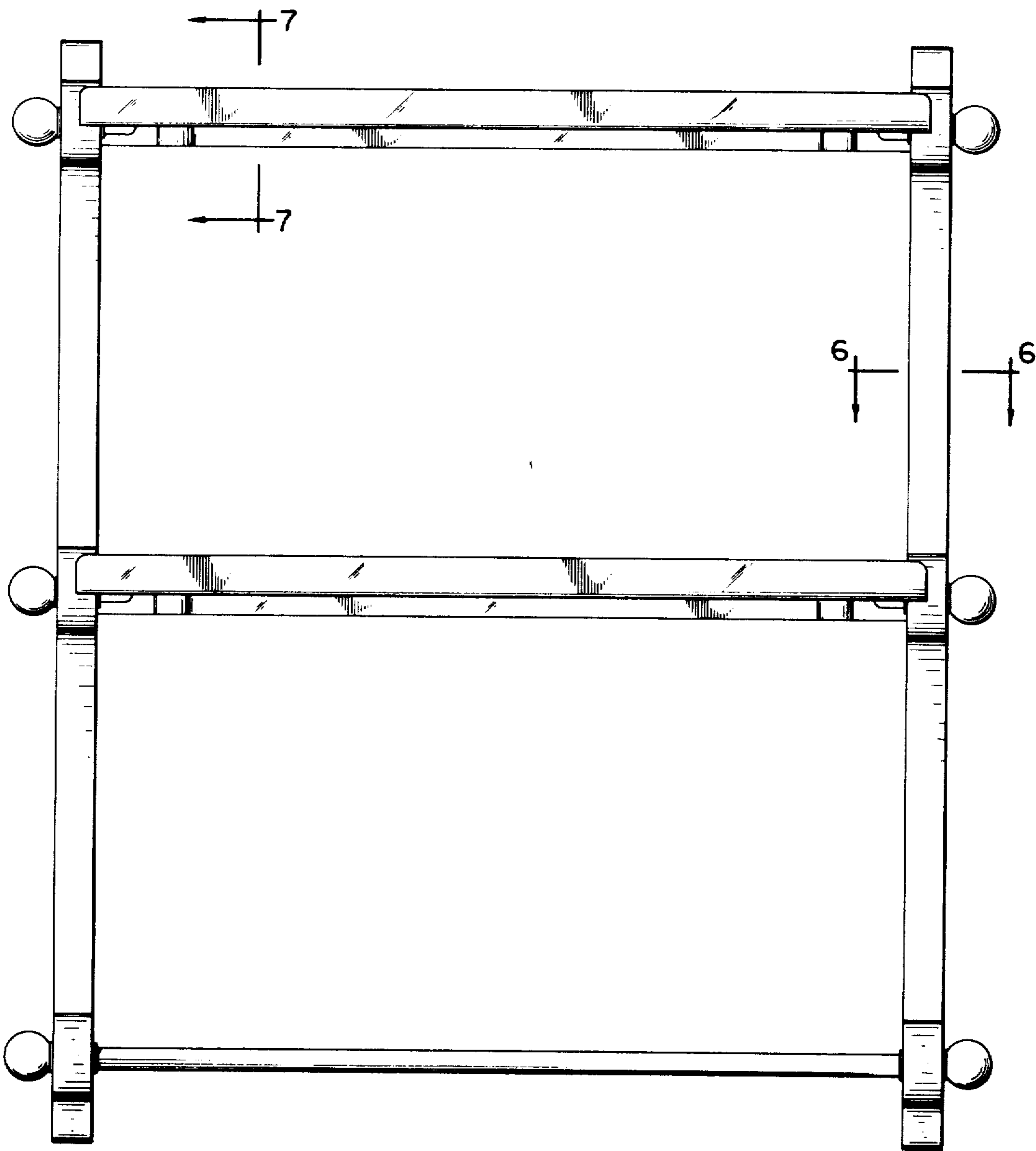


Fig. 1

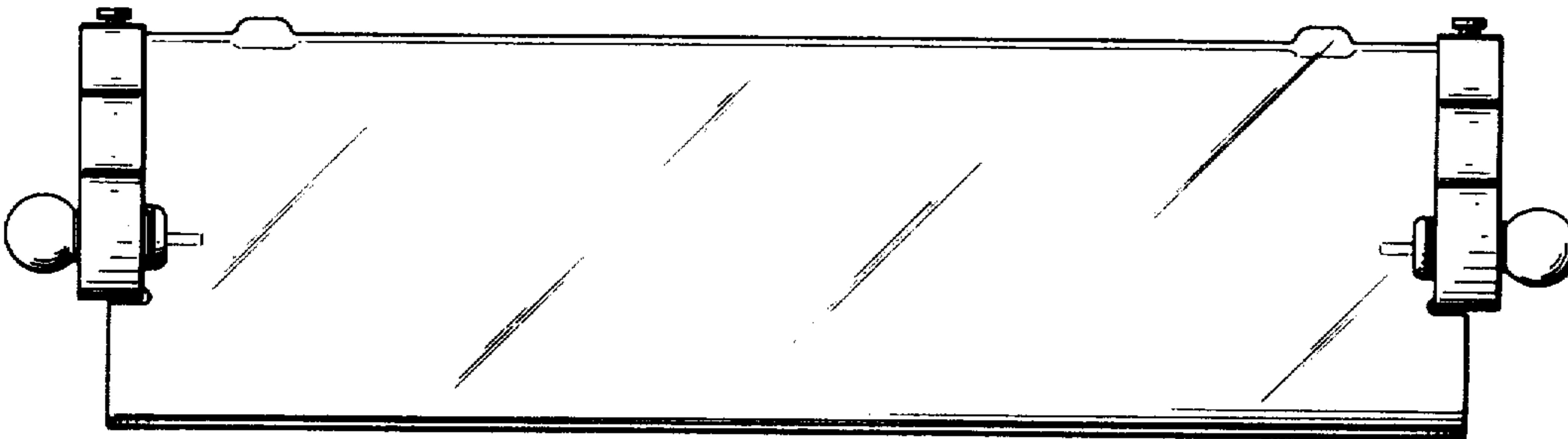
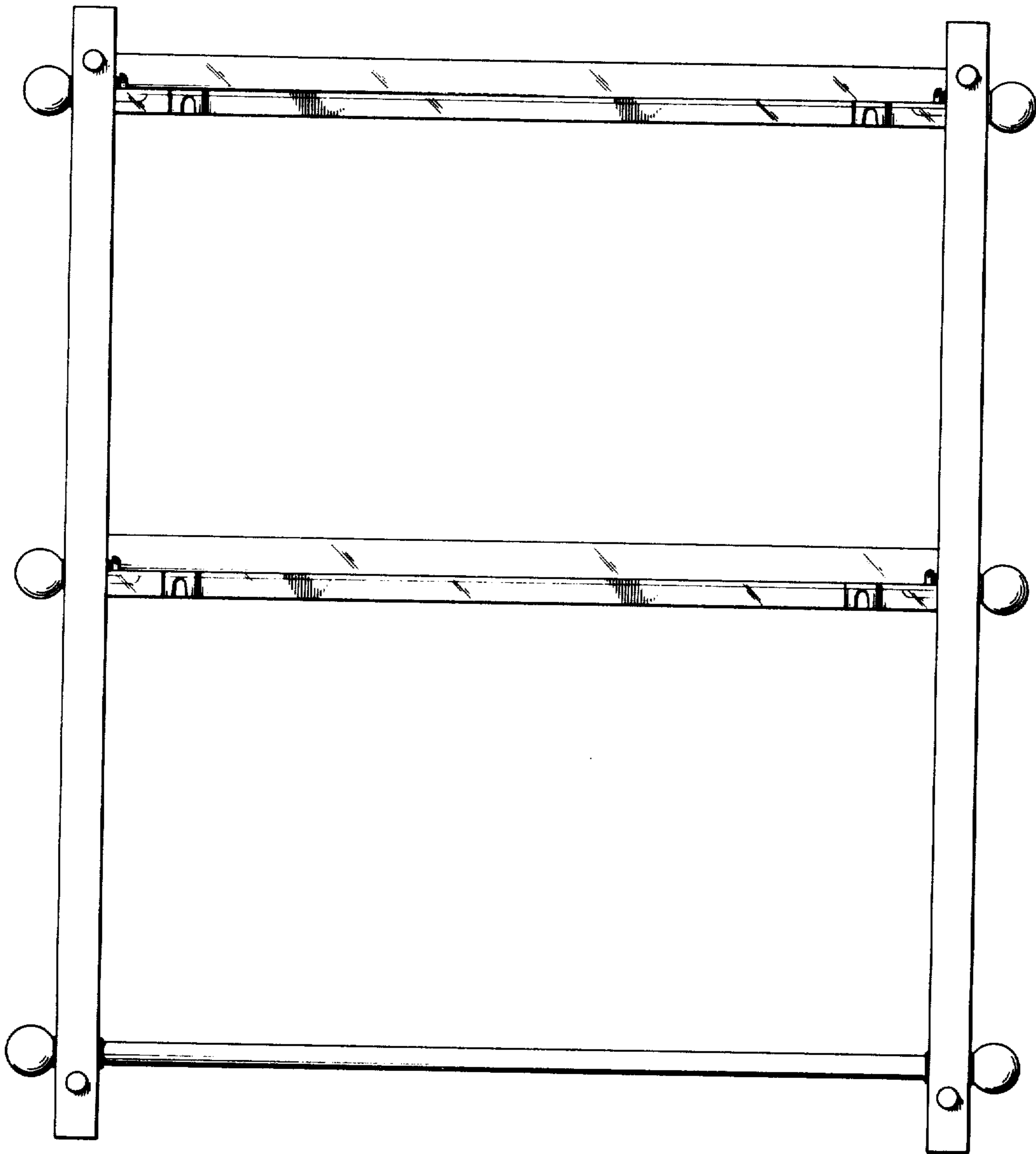
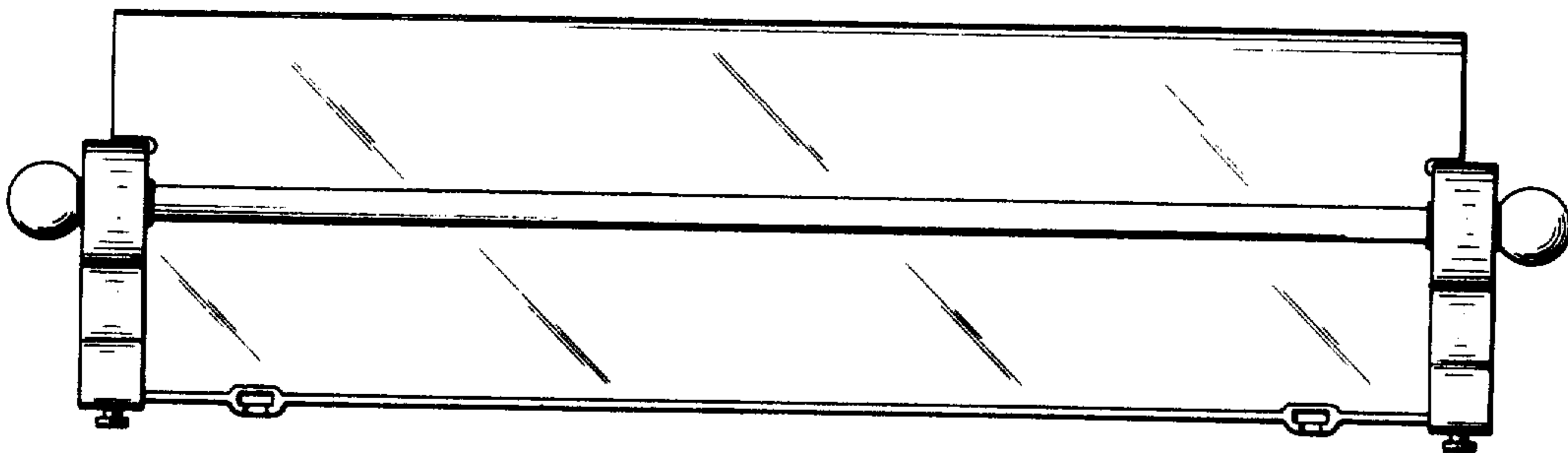


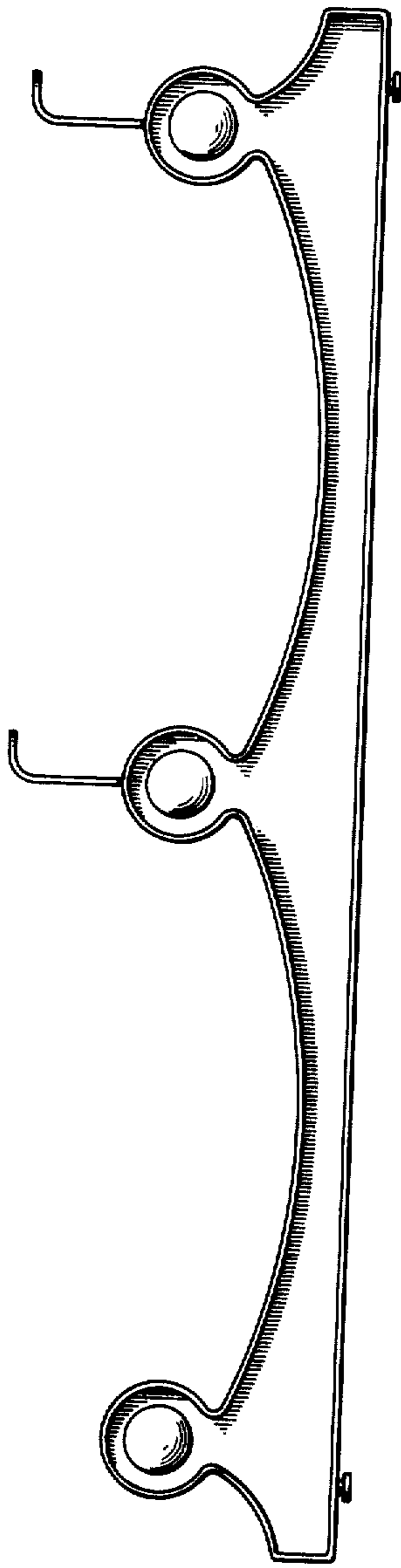
Fig. 2



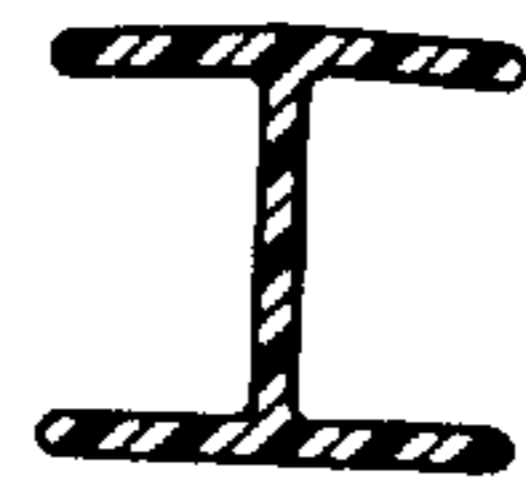
*Fig. 3*



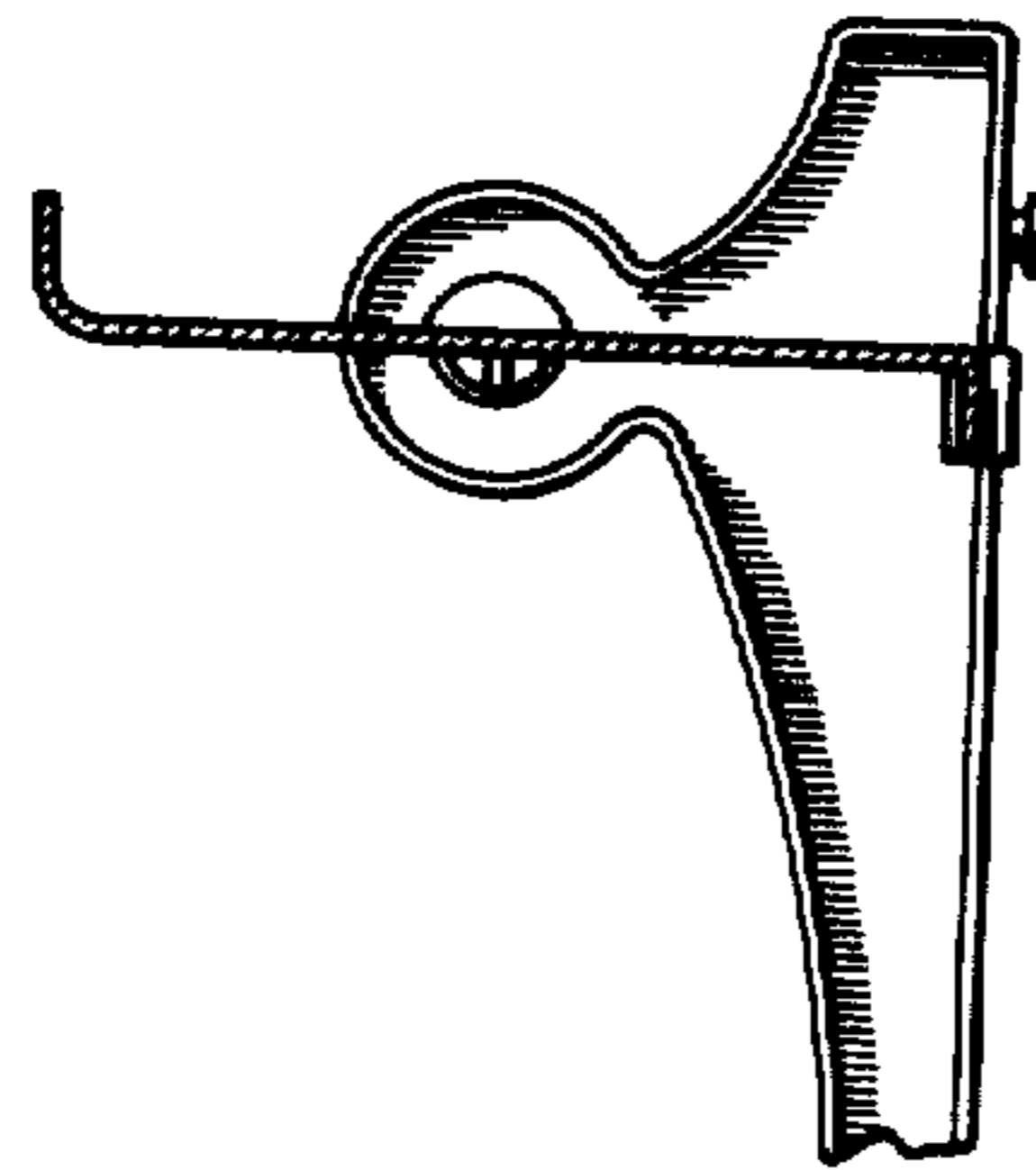
*Fig. 4*



*Fig. 5*



*Fig. 6*



*Fig. 7*